

**2014**  
*october*

***Movex***

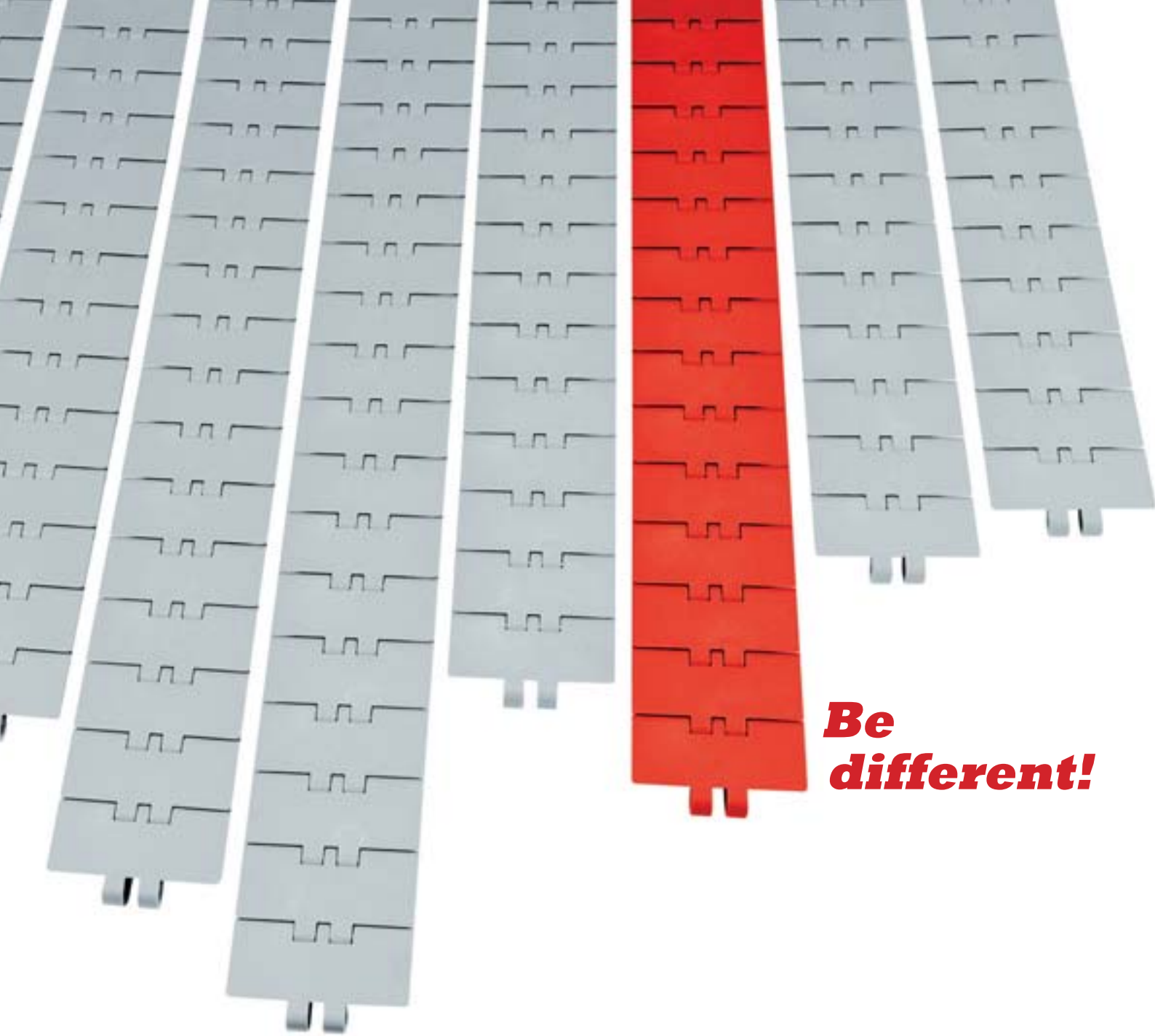


This catalogue presents and includes the latest generations of products shown in earlier publications and it relates to the current production. Other information, which may be different from that contained in this catalogue has to be considered invalid. Movex Industrial Innovation S.p.A. reserves the right to carry out modifications rendered necessary by the technical evolution of the products.

© Copyright Movex S.p.A. 2014

The contents of this catalogue are the copyright of Movex S.p.A. and may not be reproduced (even extracts) unless written permission is granted. Every care has been taken to ensure the accuracy of the information contained in this publication but no liability can be accepted for any error or omissions.

Catalogue No. M999507



***Be  
different!***

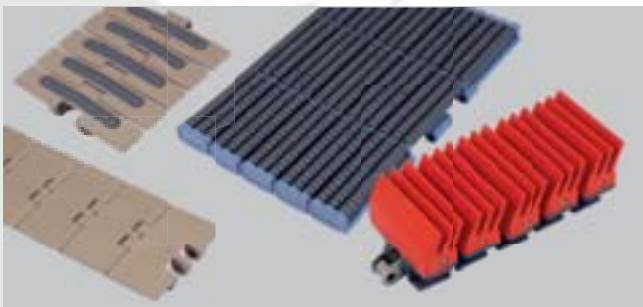
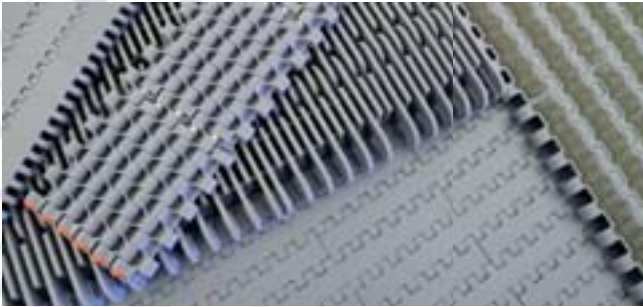
***Movex*** is different!

***Movex*** is a family owned company.

***Movex*** is "Quality & Service".

***Movex*** is better, in all aspects & disciplines!

***Movex*** is ready to serve you!





## MOVEX INDUSTRIAL INNOVATIONS

### A new setup... Not new to the industry

Movex raggruppa un team internazionale di tecnici del settore beverage e componentistica industriale. Movex percepisce le esigenze e l'evoluzione del mercato intende quindi proporsi con soluzioni innovative. Situata in Italia a Telgate, Movex investe con tecnologie avanzate per offrire al cliente una gamma completa di catene, tappeti modulari e componenti di alta qualità. Movex è un concentrato di competenza ed esperienza, propone design, flessibilità, qualità e servizio impeccabile. Unitevi a noi in questo nuovo progetto!

**Movex è la soluzione che stavate aspettando... Movex il futuro passa da qui!**



## MOVEX INDUSTRIAL INNOVATIONS

### A new setup... Not new to the industry

*Movex, a new home to a team of experienced Industry Experts. Recognizing today's changing and demanding market, we have assembled all our experience, gained over a long period, to invent a whole new solution. Based in Telgate, Italy, Movex invested in talents and the latest technology to bring you, the customer, a range of conveyor chains, belts and components with unprecedented levels of quality and service.*

*Combining our expertise and the experience gained within the industry, we are committed to provide the very best in product design and application advice to ensure a confident solution to all our customers' requirements. Join us now! It's the solution you have been waiting for... **Movex, the future is here!***



## MOVEX INDUSTRIAL INNOVATIONS

### Neu aufgestellt in QUALITÄT, ZUVERLÄSSIGKEIT und KUNDENORIENTIERTE PROBLEMLÖSUNGEN

*Movex ist eine neue Realität für ein Team von Experten aus aller Welt die seit langer Zeit in dieser Industrie tätig sind. Wir haben die Bedürfnisse der Kunden erkannt und bündeln unsere Erfahrungen um neue Lösungen dem Markt anzubieten zu können.*

*Unser Hauptsitz ist in Telgate, Italien. Wir investieren in Personen und Technologie um Ihnen qualitativ hochwertige Komponenten für die Transporttechnik zu liefern. Basierend auf unseren Erkenntnissen und der jahrelangen Erfahrungen bieten wir unseren Kunden eine komplette Produktpalette mit innovativen Design und Applikationslösungen um alle Bedürfnisse der Industrie ab zu decken.*

**Folgend Sie uns in eine neue Erfahrung... Movex, die Zukunft ist hier!**



## I nostri prodotti

**Catene e tappeti** Un'ampia gamma di catene e tappeti di alta qualità per qualsiasi tipo di esigenza, anche la più complessa. Tappeti modulari dal robusto design, costruiti per soddisfare ogni tipo di applicazione e implementare l'efficienza dell'impianto.

**Componenti** Una gamma omnicomprensiva e versatile di componenti per soddisfare le necessità di ogni tipologia di impianto. I nostri innovativi design offrono ingegnosi accorgimenti e pratiche soluzioni che semplificano la costruzione dell'impianto.

**Supporti con cuscinetti** Ancora una vasta gamma di supporti con cuscinetti di alta qualità montati su alloggiamenti in plastica. Ideali per l'industria alimentare e dell'imbottigliamento e in genere per applicazioni in ambiente umido.

**Curve** Le nostre curve sono progettate con materiali selezionati per garantire il più basso coefficiente d'attrito e la più lunga durata (resistenza all'usura). Il design evoluto assicura uno scorrimento ottimale garantendo la più elevata efficienza.



## Our Products

**Chains and Belts** A wide range of high quality chains and belts made for the most challenging applications. The robust design is made to fulfill specific applications needs and to improve the efficiency of your production line.

**Conveyor Components** A comprehensive and versatile range of components to support all your conveyor constructions needs. Innovative and carefully thought-out design, contributes to simplify combinations and integrations of the conveyors.

**Bearing Supports** Wide range of bearing supports built with plastic housing and high quality bearings. Our bearings are ideal for food, beverage industry and applications in wet environment.

**Corner Tracks** Our corner tracks are designed with selected materials to provide the lowest coefficient of friction and high wear life. The improved design ensures a smooth running and high efficiency of your conveyor.



## Unsere Produkte

**Scharnierbandketten und Modulare Mattenketten** Eine komplette Palette qualitativ hochwertiger Ketten designed für anspruchsvolle Applikationen. Robustes Design der modularen Mattenketten um spezifische Anwendungen zu erfüllen und die Effizienz zu erhöhen.

**Transporteur-Komponenten** Eine umfassende und vielseitig verwendbare Selektion von Komponenten um Ihre Bedürfnisse zur Realisierung von Transporteuren zu unterstützen. Unser innovatives Design trägt zur einfacheren Gestaltung der Konstruktion bei.

**Flanschlager** Große Auswahl verschiedener Flanschlager mit Kunststoffgehäuse und exzellenten Lagereinsätzen. Diese Produktpalette eignet sich ideal für die Anwendungen in der Lebensmittel- und in der Getränkeindustrie.

**Kurvenführungen** Unsere Kurvenführungen werden aus Materialien gefertigt die geringe Reibwerte besitzen und eine hohe Verschleißfestigkeit ausweisen. Unser einfaches und durchdachtes Design trägt zu einem ruhigen und ruckelfreien Lauf der Kette bei.

  
**materiali****Catene in Acciaio**

**Max,...** Acciaio inox speciale (1.4589) per applicazioni ad elevate velocità e nelle più critiche condizioni. Ottima finitura superficiale per una migliore scorrevolezza.

**SSE**

Acciaio Inox ferritico speciale (1.4589). Elevato carico di lavoro e minore attrito.

**SS**

Acciaio inox ferritico standard (1.4016)

**Catene e tappeti in plastica**

**LF**

Resina acetalica a basso coefficiente di attrito.

Materiale utilizzato per la maggior parte delle applicazioni (Marrone chiaro)

**LFA**

Resina acetalica a basso coefficiente di attrito.

Materiale utilizzato per la maggior parte delle applicazioni (RAL5014)

**MX**

Materiale performante (PBT lubrificato) con coefficiente di attrito molto basso. Ottima resistenza all'usura, buona solidità e allungamento limitato. Indicato per alte velocità e applicazioni a secco.

**MK**

Resina acetalica con coefficiente di attrito estremamente basso. Materiale con additivi auto-lubrificanti. Questo materiale è stato sviluppato per applicazioni con vetro, lattine e linee in PET. La lubrificazione esterna potrebbe essere eliminata o limitata.

**AR**

Materiale resistente all'abrasione (nero).

**PP**

Polipropilene per applicazioni ad alte temperature.

Materiale con ottima resistenza ad alcune sostanze chimiche.

**PPX**

Polipropilene rinforzato, migliore stabilità alle elevate temperature e resistenza alle sostanze chimiche.

**AS**

Resina acetalica antistatica.

  
**materials****Stainless Steel Chains**

**Max,...** Specially treated Ferritic Stainless Steel (1.4589) with optimized surface finish for superior sliding properties. For High-Speed and more critical applications.

**SSE**

Specially treated Ferritic Stainless Steel (1.4589) for improved working-load and less friction.

**SS**

Ferritic Stainless Steel (1.4016) for standard applications.

**Plastic Chains & Modular Belts**

**LF**

Low friction Acetal Resin. This material can be used in all common applications. (Light Brown)

**LFA**

Low friction Acetal Resin. This material can be used in all common applications. (Pigeon-blue)

**MX**

Extra Performance material (PBT with additives) with very low coefficient of friction and improved wear resistance. Recommended for high speed and dry running applications.

**MK**

Super Low Friction Acetal Resin. The internal-lubrication-additives ensure continuous low friction resulting in higher efficiency and optimum service life. This material is specially developed for glass, can and PET lines where external lubrication has to be avoided or limited.

**AR**

Abrasion resistant (black).

**PP**

Polypropylene for better chemical resistance and higher temperatures.

**PPX**

Reinforced Polypropylene for improved heat stability and chemical resistance.

**AS**

Antistatic material.

  
**materialien****Scharnierbandketten aus Edelstahl**

**Max,...** speziell behandelte ferritische Edelstahl (1.4589) mit optimierter Oberfläche zur Verbesserung der Gleiteigenschaften und für hohe Geschwindigkeiten bzw. kritische Applikationen.

**SSE**

speziell behandelte ferritische Edelstahl (1.4589), dieser behandelte Edelstahl weist eine verbesserte Zugkraft aus und geringere Reibwerte

**SS**

ferritische Edelstahl für Standardanwendungen (1.4016)

**Scharnierbandketten und Mattenketten aus Kunststoff**

**LF**

Azetal mit geringem Reibwert, Dieses Material kann für alle Standard-Applikationen verwendet werden (Hellbraun)

**LFA**

Azetal mit geringem Reibwert, Dieses Material kann für alle Standard-Applikationen verwendet werden (Taubenblau)

**MX**

Hochleistungs-Material (PBT mit Zusätzen) mit sehr niedrigen Reibwert, verbesserte Verschleißbeständigkeit. Geeignet für Hochleistungsanlagen und Trockenlauf

**MK**

Hochleistungs-Azetal mit internen Schmierstoffzusätzen um eine kontinuierlich niedrigen Reibwert zu gewährleisten. Diese Eigenschaft trägt dazu bei dass die Lebensdauer erhöht und somit die Schmierung von Extern vermieden werden kann. Geeignet für Glass, Dosen und PET Linien.

**AR**

Abriebsfest (Schwarz).

**PP**













Polypropylen, Dieses Material weist eine verbesserte chemische Beständigkeit und kann für Einsätze mit höheren Temperaturen verwendet werden.

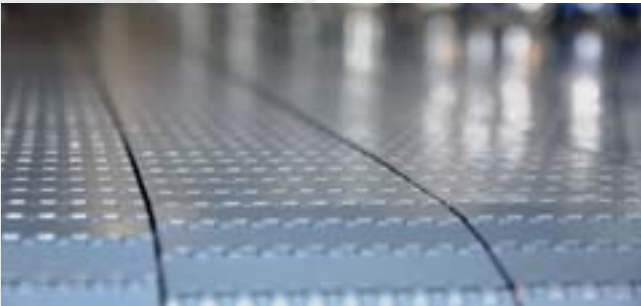
**PPX**

Verstärktes Polypropylen, hat eine verbesserte Temperaturstabilität und bessere chemische Beständigkeit

**AS**

Antistatisches Material.

	Catene in acciaio <i>Steel chains</i> <i>Scharnierbandketten aus Edelstahl</i>	7
	Catene in plastica <i>Plastic chains</i> <i>Scharnierbandketten aus Kunststoff</i>	13
	Ruote dentate per catene <i>Chain sprockets</i> <i>Kettenräder für Scharnierbandketten</i>	29
	Ruote folli per catene <i>Chain idler wheels</i> <i>Umlenkrollen für Scharnierbandketten</i>	47
	Curve magnetiche, Tab & Bevel <i>Magnetic, Tab &amp; Bevel corner tracks</i> <i>Kurvenführungen Magnet, Tab &amp; Bevel Version</i>	53
	Tappeti <i>Modular belts</i> <i>Mattenketten</i>	79
	Ruote per tappeti <i>Belt sprockets</i> <i>Kettenräder für Mattenketten</i>	107
	Guide <i>Profiles</i> <i>Profile</i>	123
	Rulli di ritorno <i>Return components</i> <i>Rückführelemente</i>	167
	Componenti <i>Conveyor components</i> <i>Komponenten</i>	177
	Componenti di supporto <i>Conveyor support components</i> <i>Stützelemente</i>	219
	Cuscinetti <i>Bearing supports</i> <i>Flanschlager</i>	235
	Piedi <i>Leveling pads</i> <i>Gelenkfüsse</i>	255





# steel chains

812/815



pag. 8

802



pag. 8

8157



pag. 9

512



pag. 9

881 M



pag. 10

881 TAB



pag. 10

881 B



pag. 10

8811 TAB



pag. 11

8811 B



pag. 11

8857 M



pag. 11

812 GT



pag. 12

802 GT

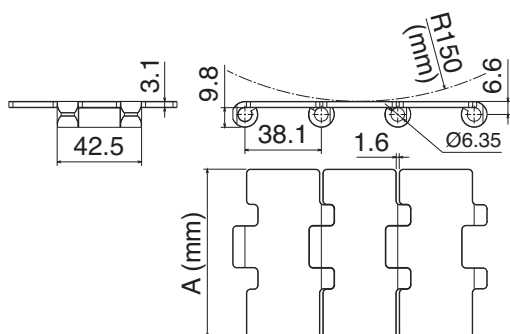


pag. 12



## 812/815

catena rettilinea / straight running chain / geradegängige Scharnierbandkette



Part	Article-Nr.	Ref.	A	Weight kg/m	Max working load
1001	10010202	SS 812 K325	82,5	2,55	5500 N
1001	10010203	SS 812 K330	83,8	2,59	
1001	10010204	SS 812 K350	88,9	2,69	
1001	10010205	SS 812 K450	114,3	3,25	
1001	10010206	SS 812 K600	152,4	4,15	
1001	10010207	SS 812 K750	190,5	5,05	

1001	10010102	SSE 815 K325	82,5	2,55	6000 N
1001	10010103	SSE 815 K330	83,8	2,59	
1001	10010104	SSE 815 K350	88,9	2,69	
1001	10010105	SSE 815 K450	114,3	3,25	
1001	10010106	SSE 815 K600	152,4	4,15	
1001	10010107	SSE 815 K750	190,5	5,05	

1001	10010302	SSM 815 K325	82,5	2,55	6000 N
1001	10010303	SSM 815 K330	83,8	2,59	

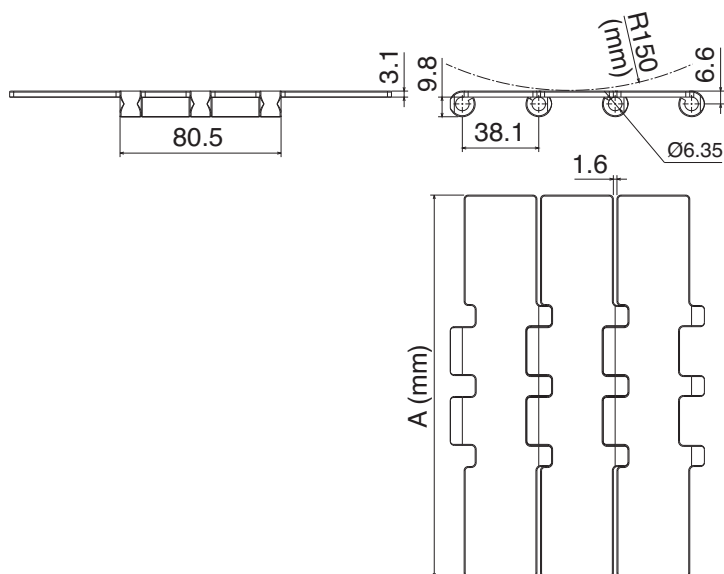
Material	
01	SSE Specially treated Ferritic Stainless Steel (1.4589)
02	SS Ferritic Stainless Steel (1.4016)
03	SSM  Max Speed

Pins: Austenitic Steel



## 802

catena rettilinea / straight running chain / geradegängige Scharnierbandkette



Part	Article-Nr.	Ref.	A	Weight kg/m	Max working load
1003	10030207	SS 802 K750	190,5	5,80	7000 N

1003	10030107	SSE 805 K750	190,5	5,80	9000 N
------	----------	--------------	-------	------	--------

Material	
01	SSE Specially treated Ferritic Stainless Steel (1.4589)
02	SS Ferritic Stainless Steel (1.4016)

Pins: Austenitic Steel



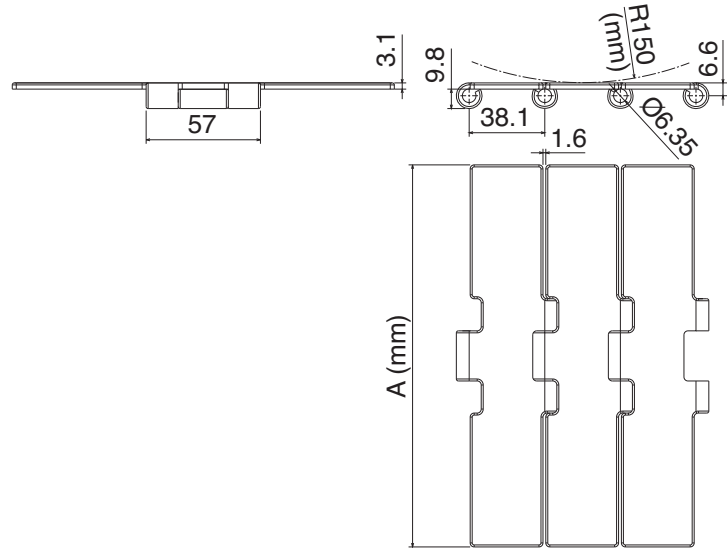
## 8157

catena rettilinea / straight running chain / geradegängige Scharnierbandkette



Part	Article-Nr.	Ref.	A	Weight kg/m	Max working load
1005	10050107	SSE 8157 K750	190,5	5,60	7000 N

Material	
01	SSE Specially treated Ferritic Stainless Steel (1.4589)
Pins: Austenitic Steel	



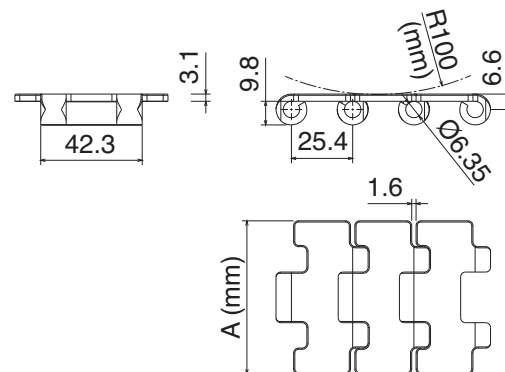
## 512

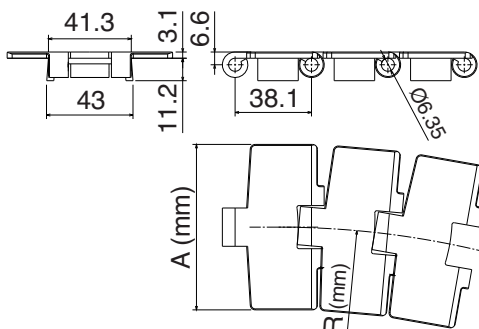
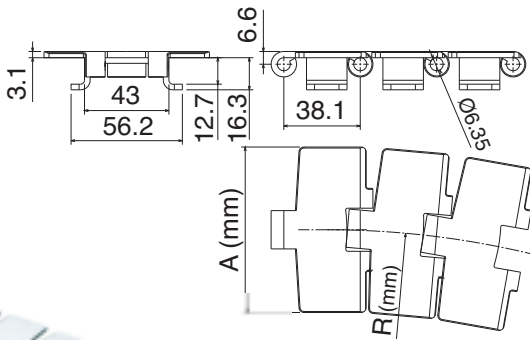
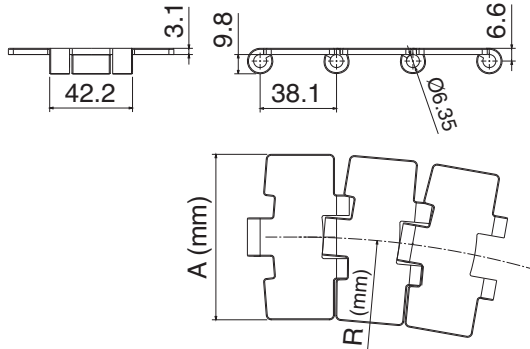
catena rettilinea / straight running chain / geradegängige Scharnierbandkette



Part	Article-Nr.	Ref.	A	Weight kg/m	Max working load
1007	10070100	SSE 512 K217	55,0	2,30	5000 N
1007	10070101	SSE 512 K236	60,0	2,40	
1007	10070108	SSE 512 K250	63,5	2,45	
1007	10070109	SSE 512 K283	72,0	2,65	

Material	
01	SSE Specially treated Ferritic Stainless Steel (1.4589)
Pins: Austenitic Steel	





## 881 M

catena curvilinea / Sideflexing chain / kurvengängige Scharnierbandkette

Part	Article-Nr.	Ref.	A	R	Weight kg/m	Max working load
1008	10080202	SS 881 MO K325	82,5	500	2,55	4000 N
1008	10080203	SS 881 MO K330	83,8	500	2,59	
1008	10080205	SS 881 MO K450	114,3	500	3,10	
1008	10080207	SS 881MO K750	190,5	500	4,85	

1008	10080102	SSE 881 MO K325	82,5	500	2,55	6000 N
1008	10080103	SSE 881 MO K330	83,8	500	2,59	
1008	10080105	SSE 881 MO K450	114,3	500	3,10	
1008	10080107	SSE 881 MO K750	190,5	500	4,85	

1008	10080302	SSM 881 MO K325	82,5	500	2,55	6000 N
1008	10080303	SSM 881 MO K330	83,8	500	2,59	

Material	
01	SSE Specially treated Ferritic Stainless Steel (1.4589)
02	SS Ferritic Stainless Steel (1.4016)
03	SSM <b>Max speed</b>

Pins: Ferritic Stainless Steel

**Magnetic System**



## 881 TAB

catena curvilinea / Sideflexing chain / kurvengängige Scharnierbandkette

Part	Article-Nr.	Ref.	A	R	Weight kg/m	Max working load
1010	10100202	SS 881 TAB K325	82,5	457	3,00	4000 N

1010	10100102	SSE 881 TAB K325	82,5	457	3,00	6000 N
1010	10100105	SSE 881 TAB K450	114,3	500	3,69	
1010	10100107	SSE 881 TAB K750	190,5	500	5,50	

Material	
01	SSE Specially treated Ferritic Stainless Steel (1.4589)
02	SS Ferritic Stainless Steel (1.4016)

Pins: Austenitic Steel

**Tab System**



## 881 B

catena curvilinea / Sideflexing chain / kurvengängige Scharnierbandkette

Part	Article-Nr.	Ref.	A	R	Weight kg/m	Max working load
1012	10120102	SSE 881 K325	82,5	457	2,95	6000 N
1012	10120105	SSE 881 K450	114,3	500	3,65	
1012	10120107	SSE 881 K750	190,5	500	5,45	

Material	
01	SSE Specially treated Ferritic Stainless Steel (1.4589)

Pins: Austenitic Steel

**Bevel System**



## 8811 TAB

catena curvilinea / Sideflexing chain / kurvengängige Scharnierbandkette

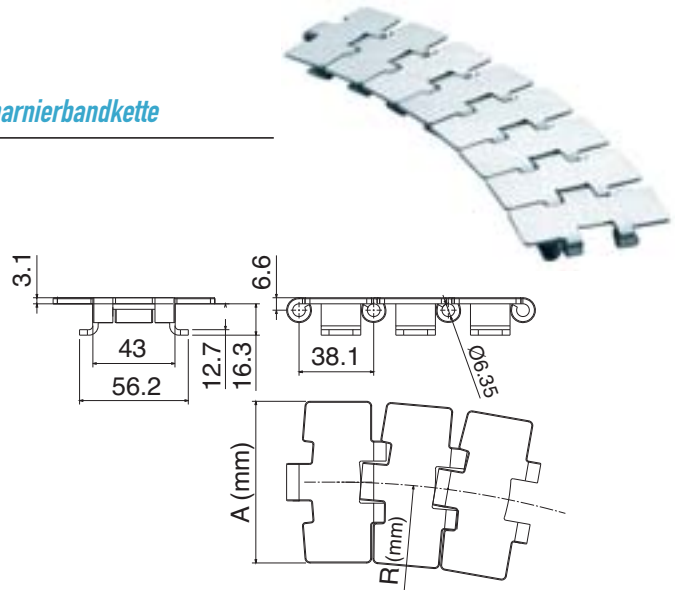
Part	Article-Nr.	Ref.	A	R	Weight kg/m	Max working load
1014	10140202	SS 8811 TAB K325	82,5	500	2,95	4000 N
1014	10140203	SS 8811 TAB K330	83,8	500	3,05	
1014	10140205	SS 8811 TAB K450	114,3	610	3,65	
1014	10140207	SS 8811 TAB K750	190,5	610	5,45	
1014	10140102	SSE 8811 TAB K325	82,5	500	2,95	6000 N
1014	10140103	SSE 8811 TAB K330	83,8	500	3,05	
1014	10140104	SSE 8811 TAB K350	88,9	500	3,15	
1014	10140105	SSE 8811 TAB K450	114,3	610	3,65	
1014	10140107	SSE 8811 TAB K750	190,5	610	5,45	

Material	
01	SSE Specially treated Ferritic Stainless Steel (1.4589)
02	SS Ferritic Stainless Steel (1.4016)

Pins: Austenitic Steel



**Tab System**



## 8811 B

catena curvilinea / Sideflexing chain / kurvengängige Scharnierbandkette

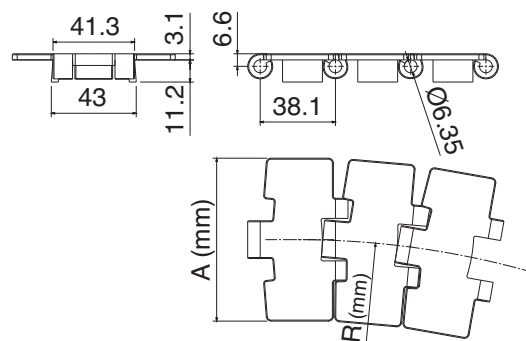
Part	Article-Nr.	Ref.	A	R	Weight kg/m	Max working load
1016	10160102	SSE 8811 K325	82,5	500	2,90	6000 N
1016	10160104	SSE 8811 K350	88,9	500	3,15	
1016	10160105	SSE 8811 K450	114,3	610	3,60	
1016	10160107	SSE 8811 K750	190,5	610	5,40	

Material	
01	SSE Specially treated Ferritic Stainless Steel (1.4589)

Pins: Austenitic Steel



**Bevel System**



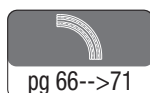
## 8857 M

catena curvilinea / Sideflexing chain / kurvengängige Scharnierbandkette

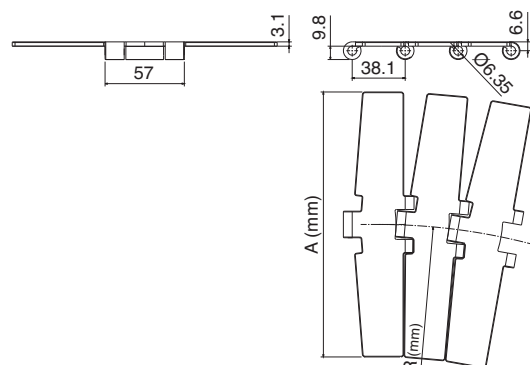
Part	Article-Nr.	Ref.	A	R	Weight kg/m	Max working load
1018	10180107	SSE 8857 M K750	190,5	750	5,30	7000 N

Material	
01	SSE Specially treated Ferritic Stainless Steel (1.4589)

Pins: Ferritic Stainless Steel



**Magnetic System**



# 812 GT - 802 GT

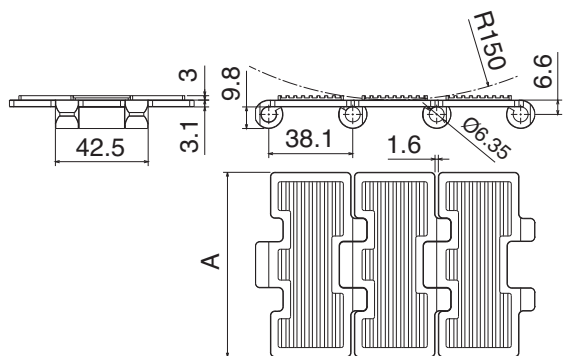


**New**

## 812 GT

catena rettilinea / straight running chain / geradegängige Scharnierbandkette

Part	Article-Nr.	Ref.	A	Weight kg/m	Max working load
1002	10020202	SS 812 GT K325	82,5	2,80	5500 N



Material	
02	SS Ferritic Stainless Steel (1.4016)
Pins: Ferritic Stainless Steel	

10 feet  
3.048 m  
80 links

pg 30/31-43/48

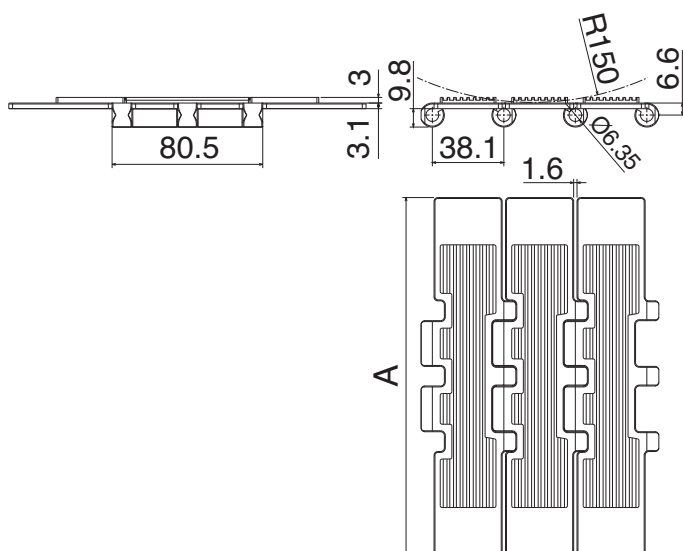


**New**

## 802 GT

catena rettilinea / straight running chain / geradegängige Scharnierbandkette

Part	Article-Nr.	Ref.	A	Weight kg/m	Max working load
1004	10040207	SS 802 GT K750	190,5	6,20	7000 N








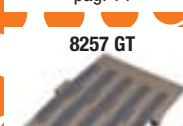
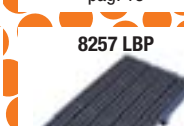
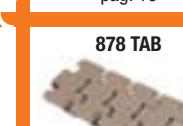




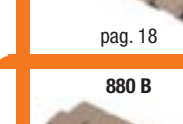
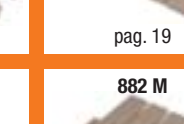
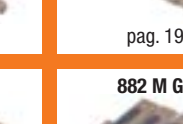

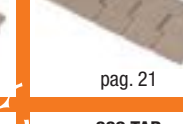








Material	
02	SS Ferritic Stainless Steel (1.4016)
Pins: Ferritic Stainless Steel	

10 feet  
3.048 m  
80 links

pg 44/49

# plastic chains

<p><b>820</b></p>  <p>pag. 14</p>	<p><b>828</b></p>  <p>pag. 14</p>	<p><b>831</b></p>  <p>pag. 15</p>	<p><b>821</b></p>  <p>pag. 15</p>	<p><b>821 GT</b></p>  <p>pag. 16</p>	<p><b>821 LBP</b></p>  <p>pag. 16</p>
<p><b>8257</b></p>  <p>pag. 17</p>	<p><b>8257 GT</b></p>  <p>pag. 17</p>	<p><b>8257 LBP</b></p>  <p>pag. 18</p>	<p><b>878 TAB</b></p>  <p>pag. 18</p>	<p><b>879 M</b></p>  <p>pag. 19</p>	<p><b>879 TAB</b></p>  <p>pag. 19</p>
<p><b>880 M</b></p>  <p>pag. 20</p>	<p><b>880 TAB</b></p>  <p>pag. 20</p>	<p><b>880 B</b></p>  <p>pag. 21</p>	<p><b>882 M</b></p>  <p>pag. 21</p>	<p><b>882 M GT</b></p>  <p>pag. 22</p>	
	<p><b>882 M LBP</b></p>  <p>pag. 22</p>	<p><b>882 TAB</b></p>  <p>pag. 23</p>	<p><b>882 TAB GT</b></p>  <p>pag. 23</p>	<p><b>882 TAB LBP</b></p>  <p>pag. 24</p>	
		<p><b>1873 GRIPPER</b></p>  <p>pag. 25</p>	<p><b>1873 GRIPPER</b></p>  <p>pag. 25</p>	<p><b>CC 600</b></p>  <p>pag. 26</p>	
				<p><b>CC 600 TAB</b></p>  <p>pag. 26</p>	

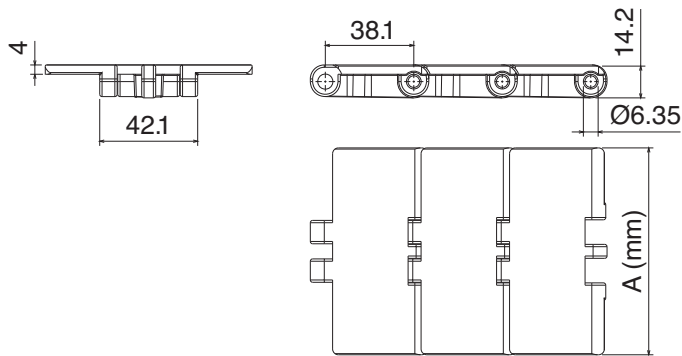




## 820

catena rettilinea / straight running chain / geradegängige Scharnierbandkette

Part	Article-Nr.	Ref.	A	Weight Kg/m
1101	11010102	820 K325	82,5	0,89
1101	11010103	820 K330	83,8	0,90
1101	11010104	820 K350	88,9	0,91
1101	11010114	820 K400	101,6	0,95
1101	11010105	820 K450	114,3	1,00
1101	11010106	820 K600	152,4	1,22
1101	11010107	820 K750	190,5	1,43



	Material	Breaking load
01	LF Low Friction Acetal Resin	5000 N
03	MX Extra Performance material (PBT with additives)	4000 N
08	MK Super Low Friction Acetal Resin	4800 N

Pins: Stainless Steel

Available in different materials on request



## 828

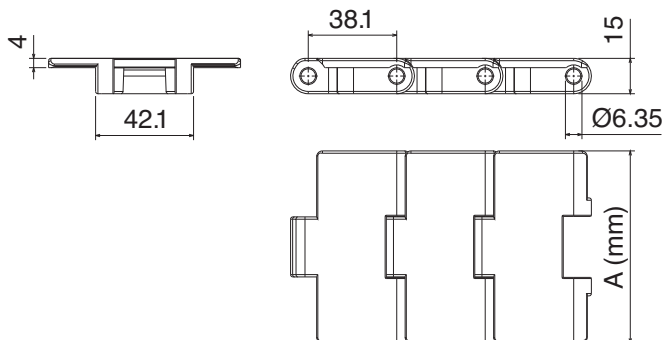
catena rettilinea / straight running chain / geradegängige Scharnierbandkette

Part	Article-Nr.	Ref.	A	Weight Kg/m
1102	11020102	828 K325	82,5	1,07
1102	11020103	828 K330	83,8	1,13

	Material	Breaking load
01	LF Low Friction Acetal Resin	6000 N
03	MX Extra Performance material (PBT with additives)	5000 N
08	MK Super Low Friction Acetal Resin	5700 N

Pins: Stainless Steel

Available in different materials on request





## 831

catena rettilinea / straight running chain / geradegängige Scharnierbandkette

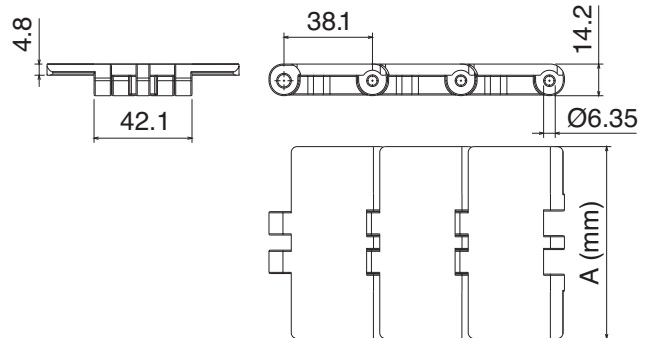
Part	Article-Nr.	Ref.	A	Weight Kg/m
1103	11030102	831 K325	82,5	1,00
1103	11030105	831 K450	114,3	1,28
1103	11030107	831 K750	190,5	1,80



	Material	Breaking load
01	<b>LF</b> Low Friction Acetal Resin	5000 N
03	<b>MX</b> Extra Performance material (PBT with additives)	4000 N
08	<b>MK</b> Super Low Friction Acetal Resin	4800 N

**Pins:** Stainless Steel

Available in different materials on request



## 821

catena rettilinea / straight running chain / geradegängige Scharnierbandkette

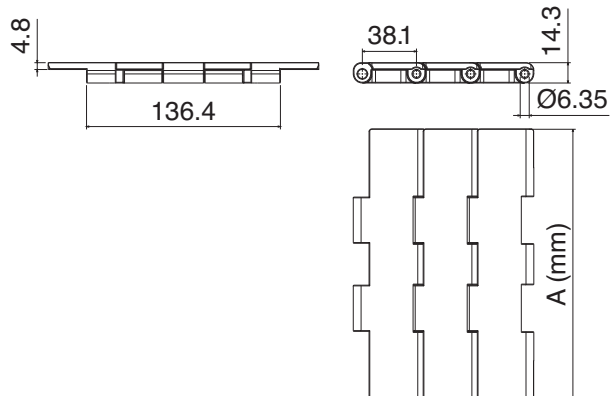
Part	Article-Nr.	Ref.	A	Weight Kg/m
1104	11040107	821 K750	190,5	2,55
1104	11040108	821 K1000	254,0	3,05
1104	11040109	821 K1200	304,8	3,35

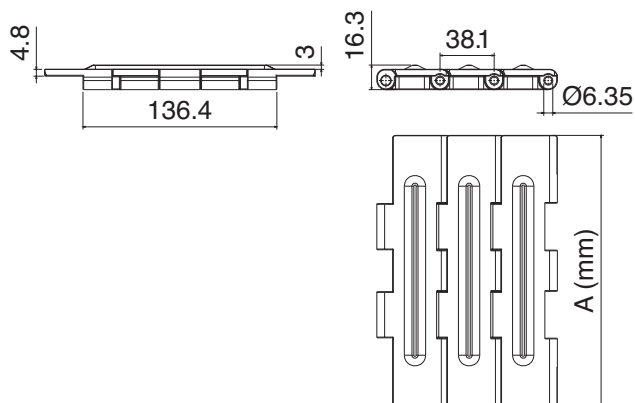


	Material	Breaking load
01	<b>LF</b> Low Friction Acetal Resin	8000 N
03	<b>MX</b> Extra Performance material (PBT with additives)	7500 N
08	<b>MK</b> Super Low Friction Acetal Resin	7900 N

**Pins:** Stainless Steel

Available in different materials on request





## 821 GT

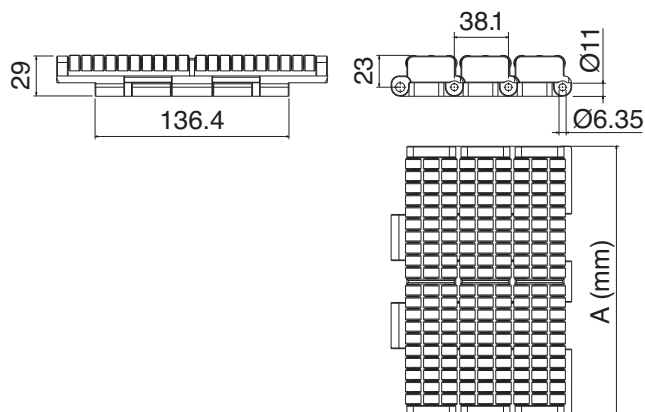
catena rettilinea / straight running chain / geradegängige Scharnierbandkette

Part	Article-Nr.	Ref.	A	Weight Kg/m
1105	11050107	821 GT K750	190,5	2,25
1105	11050108	821 GT K1000	254,0	3,20
1105	11050109	821 GT K1200	304,8	3,70

	Material	Breaking load
01	<b>LF</b> Low Friction Acetal Resin	8000 N
03	<b>MX</b> Extra Performance material (PBT with additives)	7500 N

**Rubber:** Hardness 75ShA  
**TPR** Thermoplastic rubber  
**Pins:** Stainless Steel

Available in different materials on request



## 821 LBP

catena rettilinea / straight running chain / geradegängige Scharnierbandkette

Part	Article-Nr.	Ref.	A	Weight Kg/m
1106	11060107	821 LBP K750	190,5	5,70
1106	11060108	821 LBP K1000	254,0	7,05
1106	11060109	821 LBP K1200	304,8	8,21

	Material	Breaking load
01	<b>LFA</b> Low Friction Acetal Resin	8000 N

**Roller**  
**■** Noise reducing Acetal Resin  
**Pins:** Stainless Steel

Available in different materials on request



## 8257

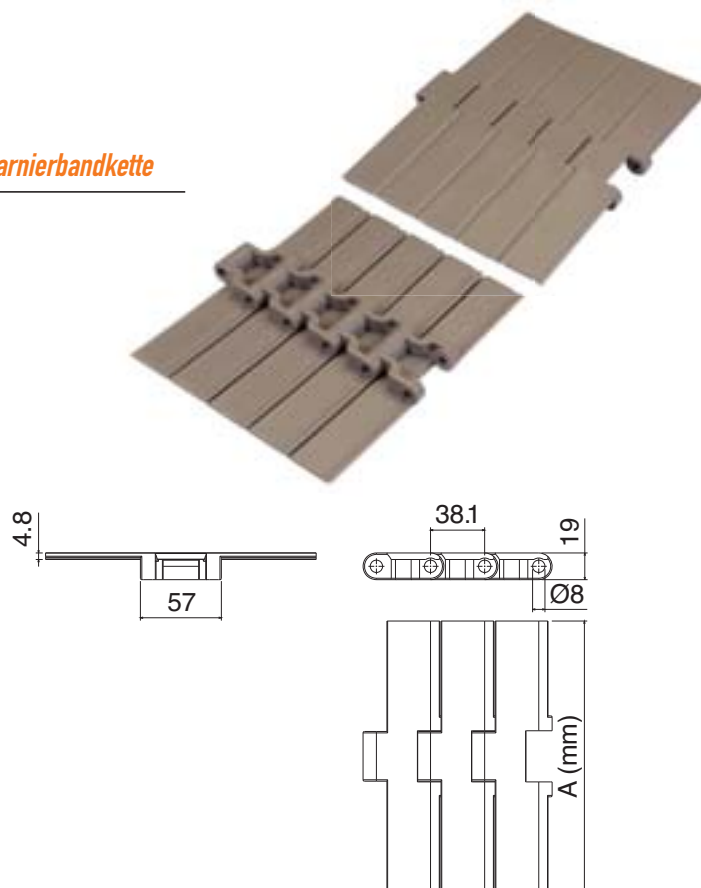
catena rettilinea / straight running chain / geradegängige Scharnierbandkette

Part	Article-Nr.	Ref.	A	Weight Kg/m
1107	11070107	8257 K750	190,5	2,20
1107	11070108	8257 K1000	254,0	2,50
1107	11070109	8257 K1200	304,8	2,85

	Material	Breaking load
01	LF Low Friction Acetal Resin	10000 N
03	MX Extra Performance material (PBT with additives)	9000 N
08	MK Super Low Friction Acetal Resin	9700 N

**Pins:** Stainless Steel

Available in different materials on request



## 8257 GT

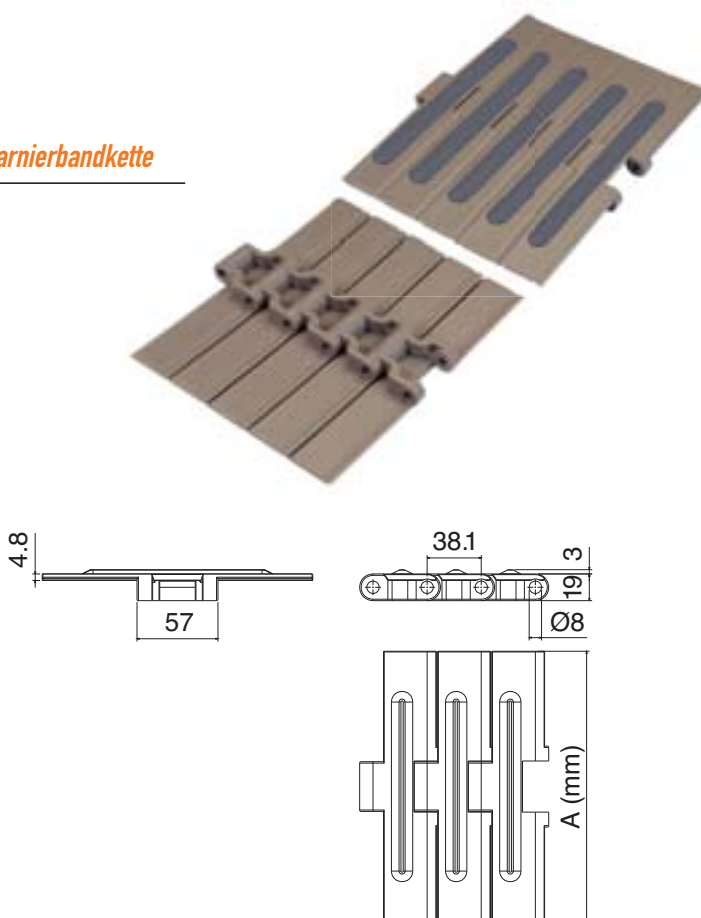
catena rettilinea / straight running chain / geradegängige Scharnierbandkette

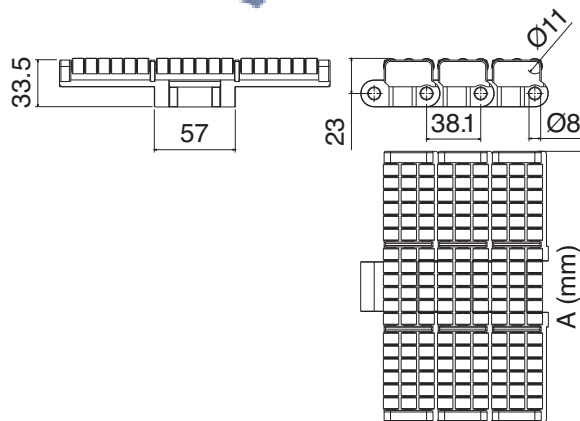
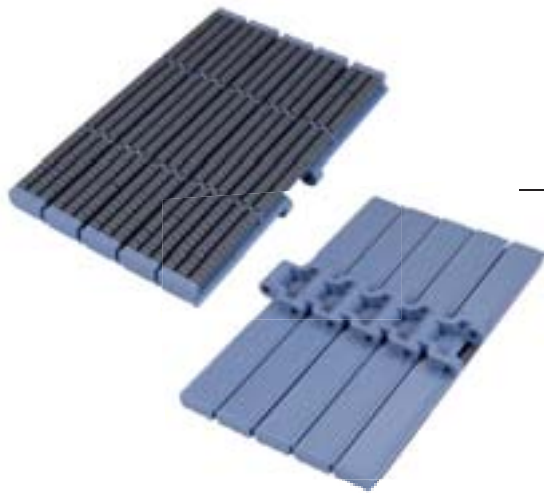
Part	Article-Nr.	Ref.	A	Weight Kg/m
1108	11080107	8257 GT K750	190,5	2,25
1108	11080108	8257 GT K1000	254,0	2,60
1108	11080109	8257 GT K1200	304,8	2,95

	Material	Breaking load
01	LF Low Friction Acetal Resin	10000 N
03	MX Extra Performance material (PBT with additives)	9000 N

**Rubber:** Hardness 75ShA  
**TPR:** Thermoplastic rubber  
**Pins:** Stainless Steel

Available in different materials on request





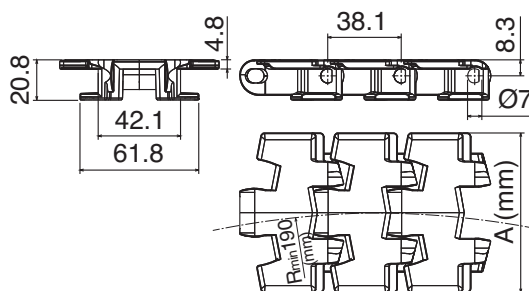
## 8257 LBP

catena rettilinea / straight running chain / geradegängige Scharnierbandkette

Part	Article-Nr.	Ref.	A	Weight Kg/m
1109	11090107	8257 LBP K750	190,5	5,65
1109	11090108	8257 LBP K1000	254,0	7,15
1109	11090109	8257 LBP K1200	304,8	8,05

	Material	Breaking load
01	<b>LFA</b> Low Friction Acetal Resin	10000 N
	<b>Roller</b>	
	Noise reducing Acetal Resin	
	<b>Pins:</b> Stainless Steel	

Available in different materials on request



## 878 TAB

catena curvilinea / Sideflexing chain / kurvengängige Scharnierbandkette

Part	Article-Nr.	Ref.	A	Weight Kg/m
1119	11190102	878 TAB K325	82,5	1,06
1119	11190105	878 TAB K450	114,3	1,18

	Material	Breaking load
01	<b>LF</b> Low Friction Acetal Resin	6000 N
03	<b>MX</b> Extra Performance material (PBT with additives)	5000 N
08	<b>MK</b> Super Low Friction Acetal Resin	5700 N
	<b>Pins:</b> Stainless Steel	

Available in different materials on request



**Tab System**

## 879 M

catena curvilinea / Sideflexing chain / kurvengängige Scharnierbandkette

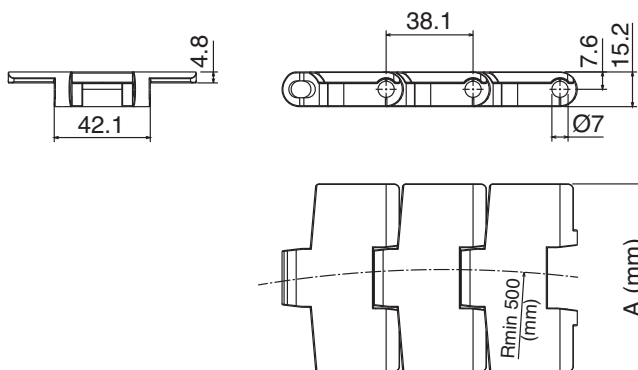
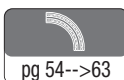
Part	Article-Nr.	Ref.	A	Weight Kg/m
1124	11240102	879 M K325	82,5	1,05
1124	11240105	879 M K450	114,3	1,15



	Material	Breaking load
01	<b>LF</b> Low Friction Acetal Resin	6000 N
03	<b>MX</b> Extra Performance material (PBT with additives)	5000 N
08	<b>MK</b> Super Low Friction Acetal Resin	5700 N

Pins: Ferritic Stainless Steel

Available in different materials on request



**Magnetic System**

## 879 TAB

catena curvilinea / Sideflexing chain / kurvengängige Scharnierbandkette

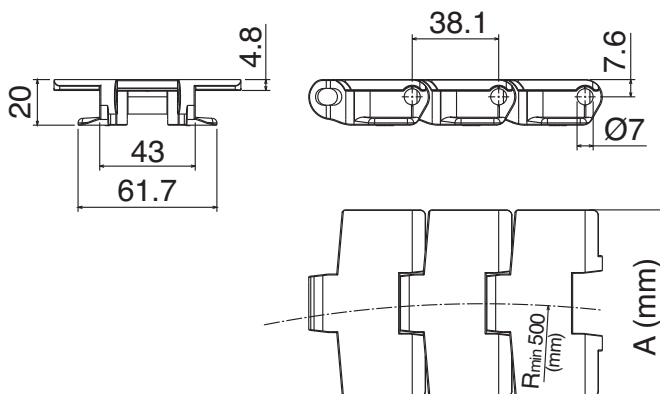
Part	Article-Nr.	Ref.	A	Weight Kg/m
1125	11250102	879 TAB K325	82,5	1,01
1125	11250105	879 TAB K450	114,3	1,13



	Material	Breaking load
01	<b>LF</b> Low Friction Acetal Resin	6000 N
03	<b>MX</b> Extra Performance material (PBT with additives)	5000 N
08	<b>MK</b> Super Low Friction Acetal Resin	5700 N

Pins: Stainless Steel

Available in different materials on request



**Tab System**



## 880 M

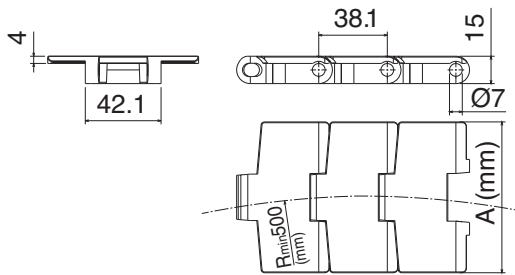
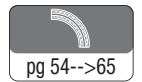
catena curvilinea / Sideflexing chain / kurvengängige Scharnierbandkette

Part	Article-Nr.	Ref.	A	Weight Kg/m
1110	11100102	880 M K325	82,5	1,05
1110	11100103	880 M K330	83,8	1,09
1110	11100105	880 M K450	114,3	1,15

	Material	Breaking load
01	<b>LF</b> Low Friction Acetal Resin	6000 N
03	<b>MX</b> Extra Performance material (PBT with additives)	5000 N
08	<b>MK</b> Super Low Friction Acetal Resin	5700 N

**Pins:** Ferritic Stainless Steel

Available in different materials on request



## 880 TAB

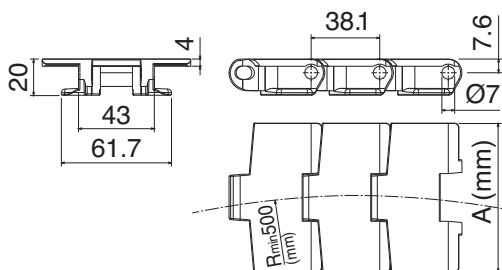
catena curvilinea / Sideflexing chain / kurvengängige Scharnierbandkette

Part	Article-Nr.	Ref.	A	Weight Kg/m
1111	11110102	880 TAB K325	82,5	1,015
1111	11110103	880 TAB K330	83,8	1,018
1111	11110105	880 TAB K450	114,3	1,09

	Material	Breaking load
01	<b>LF</b> Low Friction Acetal Resin	6000 N
03	<b>MX</b> Extra Performance material (PBT with additives)	5000 N
08	<b>MK</b> Super Low Friction Acetal Resin	5700 N

**Pins:** Stainless Steel

Available in different materials on request



## 880 B

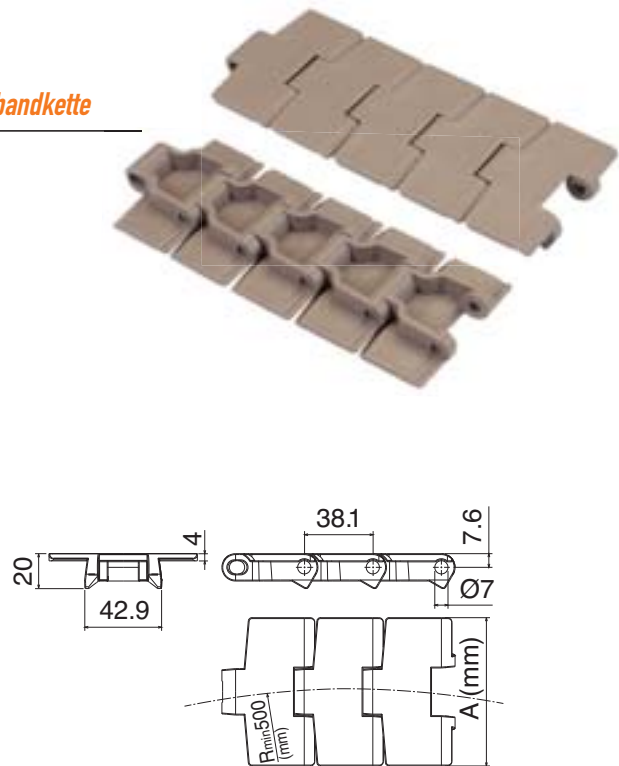
catena curvilinea / Sideflexing chain / kurvengängige Scharnierbandkette

Part	Article-Nr.	Ref.	A	Weight Kg/m
1112	11120102	880 B K325	82,5	0,89
1112	11120103	880 B K330	83,8	0,91
1112	11120105	880 B K450	114,3	1,05

	Material	Breaking load
01	<b>LF</b> Low Friction Acetal Resin	6000 N
03	<b>MX</b> Extra Performance material (PBT with additives)	5000 N
08	<b>MK</b> Super Low Friction Acetal Resin	5700 N

**Pins:** Stainless Steel

Available in different materials on request



**Bevel System**

## 882 M

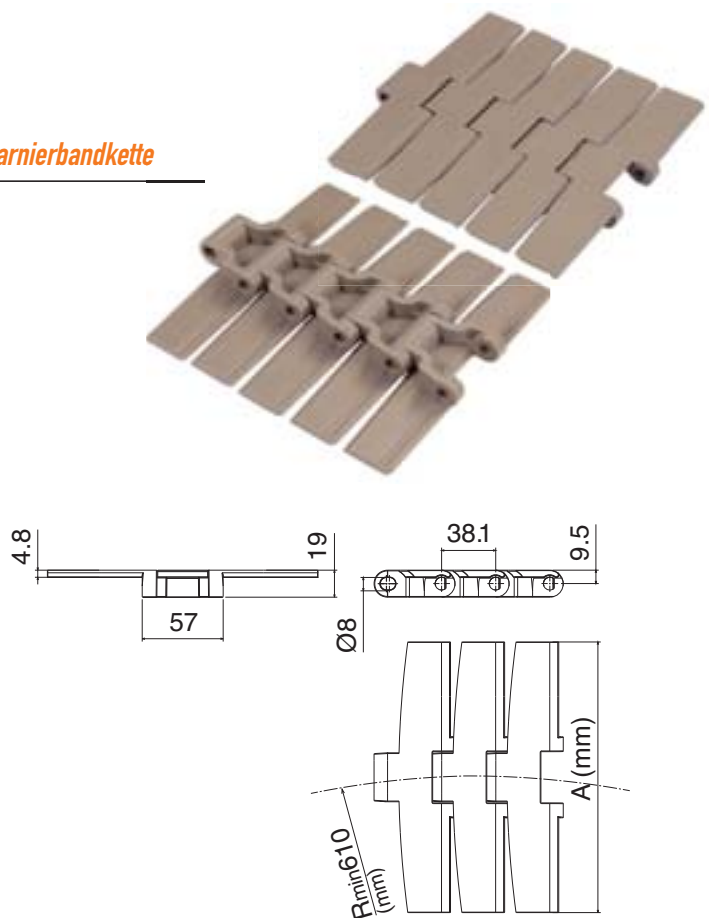
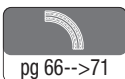
catena curvilinea / Sideflexing chain / kurvengängige Scharnierbandkette

Part	Article-Nr.	Ref.	A	Weight Kg/m
1113	11130107	882 M K750	190,5	2,14
1113	11130108	882 M K1000	254,0	2,45
1113	11130109	882 M K1200	304,8	2,68

	Material	Breaking load
01	<b>LF</b> Low Friction Acetal Resin	10000 N
03	<b>MX</b> Extra Performance material (PBT with additives)	9000 N
08	<b>MK</b> Super Low Friction Acetal Resin	9500 N

**Pins:** Ferritic Stainless Steel

Available in different materials on request



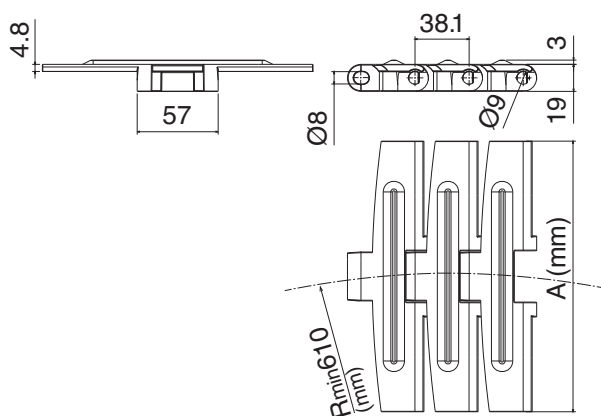
**Magnetic System**



## 882 M GT

catena curvilinea / Sideflexing chain / kurvengängige Scharnierbandkette

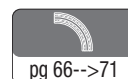
Part	Article-Nr.	Ref.	A	Weight Kg/m
1115	11150107	882 M GT K750	190,5	2,10
1115	11150108	882 M GT K1000	254,0	2,45
1115	11150109	882 M GT K1200	304,8	2,74



	Material	Breaking load
01	<b>LF</b> Low Friction Acetal Resin	10000 N
03	<b>MX</b> Extra Performance material (PBT with additives)	9000 N

**Rubber:** Hardness 75ShA  
**TPR:** Thermoplastic rubber  
**Pins:** Ferritic Stainless Steel

Available in different materials on request



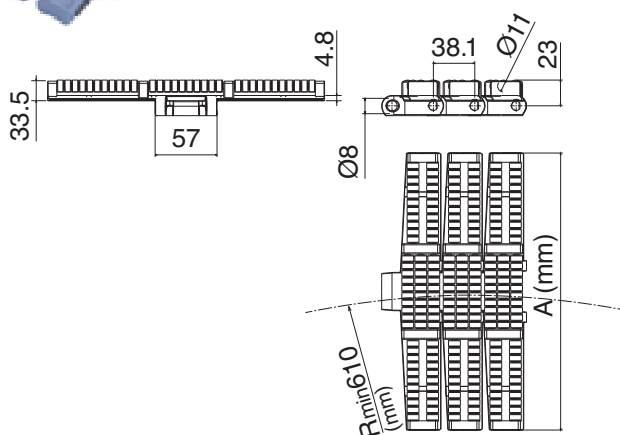
**Magnetic System**



## 882 M LBP

catena curvilinea / Sideflexing chain / kurvengängige Scharnierbandkette

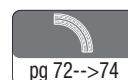
Part	Article-Nr.	Ref.	A	Weight Kg/m
1117	11170107	882 M LBP K750	190,5	3,92
1117	11170108	882 M LBP K1000	254,0	4,94
1117	11170109	882 M LBP K1200	304,8	5,82



	Material	Breaking load
01	<b>LFA</b> Low Friction Acetal Resin	10000 N

**Roller:** Noise reducing Acetal Resin  
**Pins:** Ferritic Stainless Steel

Available in different materials on request



**Magnetic System**



## 882 TAB

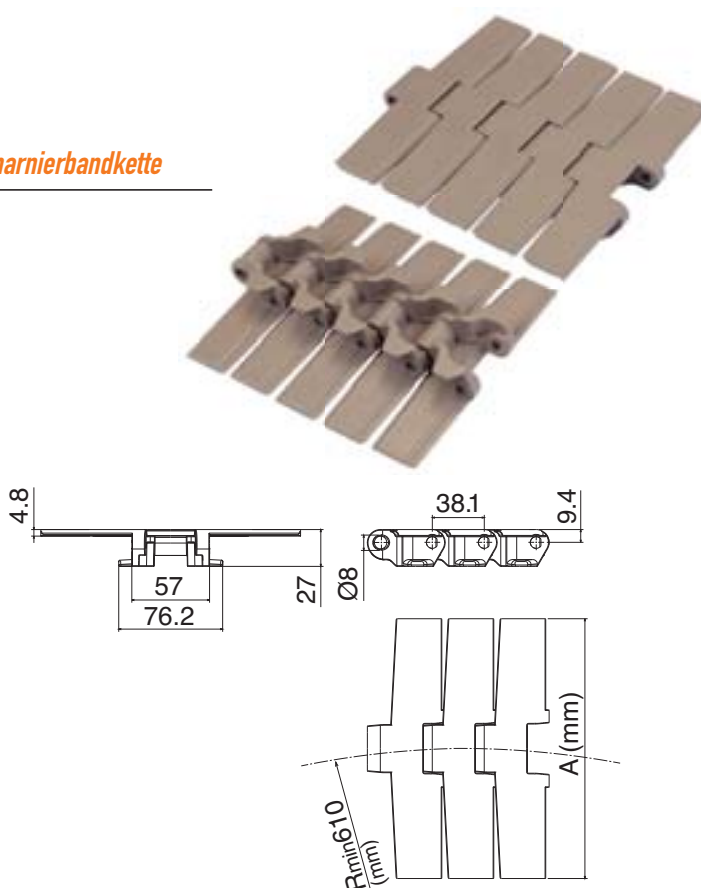
catena curvilinea / Sideflexing chain / kurvengängige Scharnierbandkette

Part	Article-Nr.	Ref.	A	Weight Kg/m
1114	11140105	882 TAB K450	114,3	2,05
1114	11140107	882 TAB K750	190,5	2,45
1114	11140108	882 TAB K1000	254,0	2,85
1114	11140109	882 TAB K1200	304,8	3,40

	Material	Breaking load
01	<b>LF</b> Low Friction Acetal Resin	10000 N
03	<b>MX</b> Extra Performance material (PBT with additives)	9000 N
08	<b>MK</b> Super Low Friction Acetal Resin	9500 N

**Pins:** Stainless Steel

Available in different materials on request



### Tab System

## 882 TAB GT

catena curvilinea / Sideflexing chain / kurvengängige Scharnierbandkette

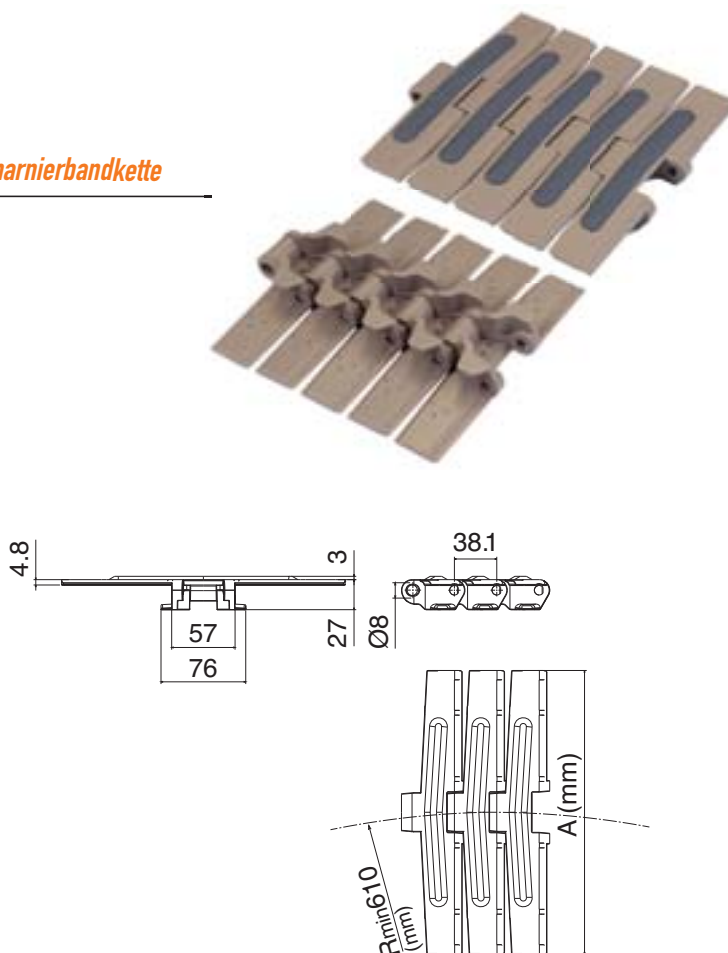
Part	Article-Nr.	Ref.	A	Weight Kg/m
1116	11160107	882 TAB GT K750	190,5	2,37
1116	11160108	882 TAB GT K1000	254,0	2,67
1116	11160109	882 TAB GT K1200	304,8	2,92

	Material	Breaking load
01	<b>LF</b> Low Friction Acetal Resin	10000 N
03	<b>MX</b> Extra Performance material (PBT with additives)	9000 N

**Rubber:** Hardness 75ShA  
**TPR** Thermoplastic rubber

**Pins:** Stainless Steel

Available in different materials on request



### Tab System



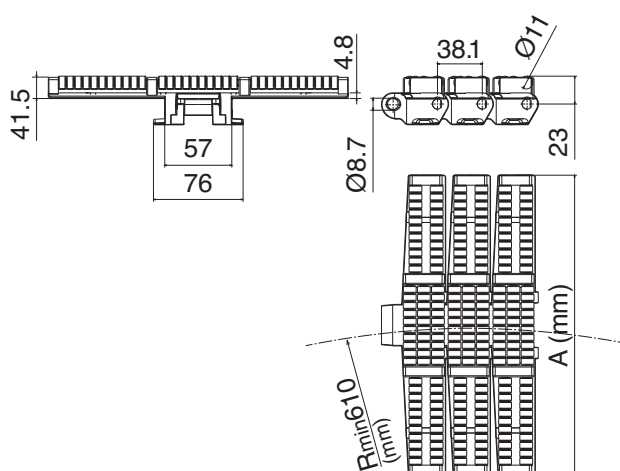
## 882 TAB LBP

catena curvilinea / Sideflexing chain / kurvengängige Scharnierbandkette

Part	Article-Nr.	Ref.	A	Weight Kg/m
1118	11180107	882 TAB LBP K750	190,5	4,70
1118	11180108	882 TAB LBP K1000	254,0	5,95
1118	11180109	882 TAB LBP K1200	304,8	6,55

	Material	Breaking load
01	<b>LFA</b> Low Friction Acetal Resin	10000 N
	<b>Roller</b>	
	■ Noise reducing Acetal Resin	
	<b>Pins:</b> Stainless Steel	

Available in different materials on request



**Tab System**

## 1873 GRIPPER GS1

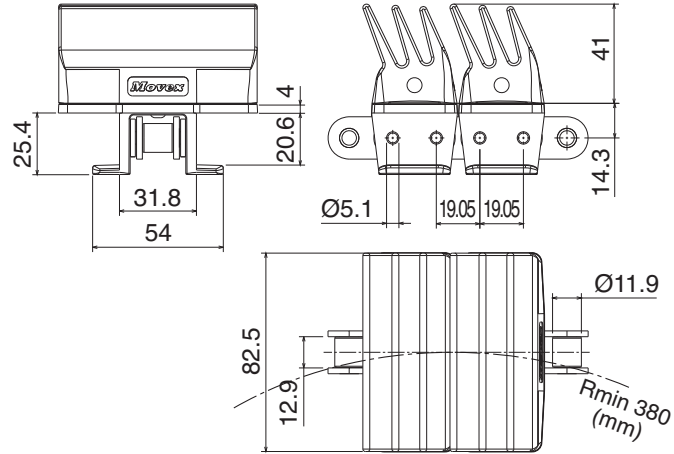
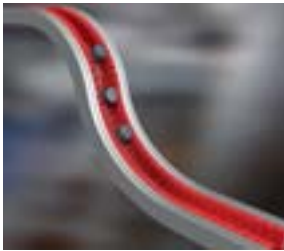
catena curvilinea / Sideflexing chain / kurvengängige Gripperkette

Part	Article-Nr.	Plate	Chain	Rubber	Ref.	Breaking load	Weight Kg/m
1120	11200102	LFD	C45	TPR	1873 TAB K325 GR	27000 N	4,354
1120	11200202	LFD	Nickel Plated Steel	TPR	1873 NP TAB K325 GR	21000 N	
1120	11200302	LFD	Stainless Steel	TPR	1873 SS TAB K325 GR	21000 N	
1121	11210102	PP	C45	EPDM-PP	1873 TAB K325 GR	27000 N	
1121	11210202	PP	Nickel Plated Steel	EPDM-PP	1873 NP TAB K325 GR	21000 N	
1121	11210302	PP	Stainless Steel	EPDM-PP	1873 SS TAB K325 GR	21000 N	



Material	
<b>LFD</b>	Low Friction Acetal Resin
<b>PP</b>	Polypropylene
<b>Rubber:</b>	Hardness 45ShA
<b>TPR</b>	Thermoplastic rubber
<b>EPDM</b>	Synthetic Rubber
<b>Roller chain</b>	C45; Nickel Plated Steel; Stainless Steel AISI304

Available in different materials on request



**Tab System**

**New**

## 1873 GRIPPER GS2

catena curvilinea / Sideflexing chain / kurvengängige Gripperkette

Part	Article-Nr.	Plate	Chain	Rubber	Ref.	Breaking load	Weight Kg/m
1128	11280102	LFD	C45	TPR	1873 TAB K325 GR	27000 N	4,354
1128	11280202	LFD	Nickel Plated Steel	TPR	1873 NP TAB K325 GR	21000 N	
1128	11280302	LFD	Stainless Steel	TPR	1873 SS TAB K325 GR	21000 N	
1129	11290102	PP	C45	EPDM-PP	1873 TAB K325 GR	27000 N	
1129	11290202	PP	Nickel Plated Steel	EPDM-PP	1873 NP TAB K325 GR	21000 N	
1129	11290302	PP	Stainless Steel	EPDM-PP	1873 SS TAB K325 GR	21000 N	

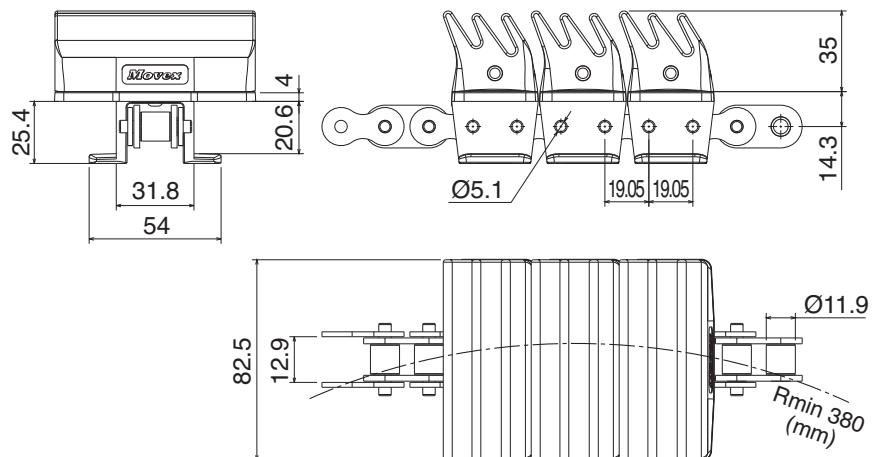


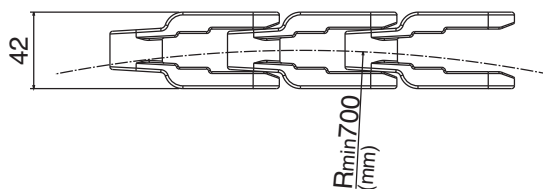
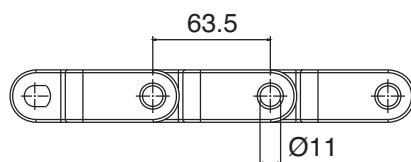
Material	
<b>LFD</b>	Low Friction Acetal Resin
<b>PP</b>	Polypropylene
<b>Rubber:</b>	Hardness 45ShA
<b>TPR</b>	Thermoplastic rubber
<b>EPDM</b>	Synthetic Rubber
<b>Roller chain</b>	C45; Nickel Plated Steel; Stainless Steel AISI304

Available in different materials on request



**Tab System**





## CC 600

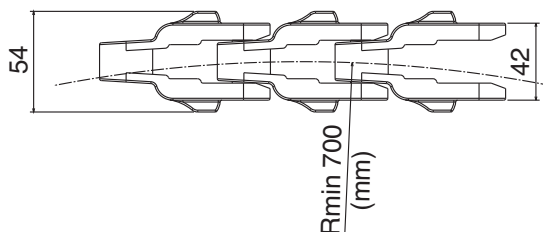
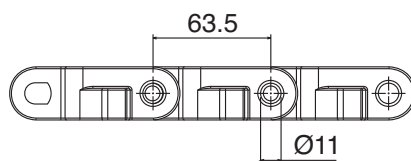
catena curvilinea / Sideflexing chain / kurvengängige Kette

Part	Article-Nr.	Ref.	Breaking load	Weight Kg/m
1122	11220400	CC 600	14000 N	1,35

Material	
04	<b>LFN</b> Low Friction Acetal Resin
03	<b>MX</b> Extra Performance material (PBT with additives)

Pins: Stainless Steel

Available in different materials on request



## CC 600 TAB

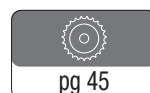
catena curvilinea / Sideflexing chain / kurvengängige Kette

Part	Article-Nr.	Ref.	Breaking load	Weight Kg/m
1123	11230400	CC 600 TAB	14000 N	1,45

Material	
04	<b>LFN</b> Low Friction Acetal Resin
03	<b>MX</b> Extra Performance material (PBT with additives)

Pins: Stainless Steel

Available in different materials on request



## Ingranaggi

L'ingranaggio è uno dei più importanti componenti di un impianto di trasporto. Una ruota ben disegnata assicura una migliore performance e una maggior durata del trasportatore. Offriamo una vasta gamma di ruote fresate e stampate per soddisfare ogni necessità applicativa. Gli ingranaggi Movex nascono da anni di esperienza specifica ed offriamo la più avanzata soluzione:

1. Tutte le ruote sono concepite in due pezzi per un più facile montaggio/smontaggio sull'albero.
2. Tutte le superfici sono lisce per prevenire qualsiasi deposito.
3. I nostri ingranaggi sono ottenuti dal miglior poliammide per assicurare la più lunga durata e resistenza all'usura.
4. Il profilo del dente è specificamente disegnato per offrire la maggior superficie di contatto con la catena e/o il tappeto riducendo la forza esercitata su ciascun dente consentendo una vita più lunga dell'ingranaggio. Il design è sviluppato inoltre tenendo conto dell'allungamento naturale di catena/tappeto, garantendo agli stessi di performare senza problemi entro la soglia di tolleranza dell'allungamento.
5. Le viti in acciaio inossidabile vengono accoppiate con dadi autobloccanti e/o inserti nichelati per consentire un più facile smontaggio/riassemblaggio anche dopo un lungo periodo dall'installazione.

## Sprockets

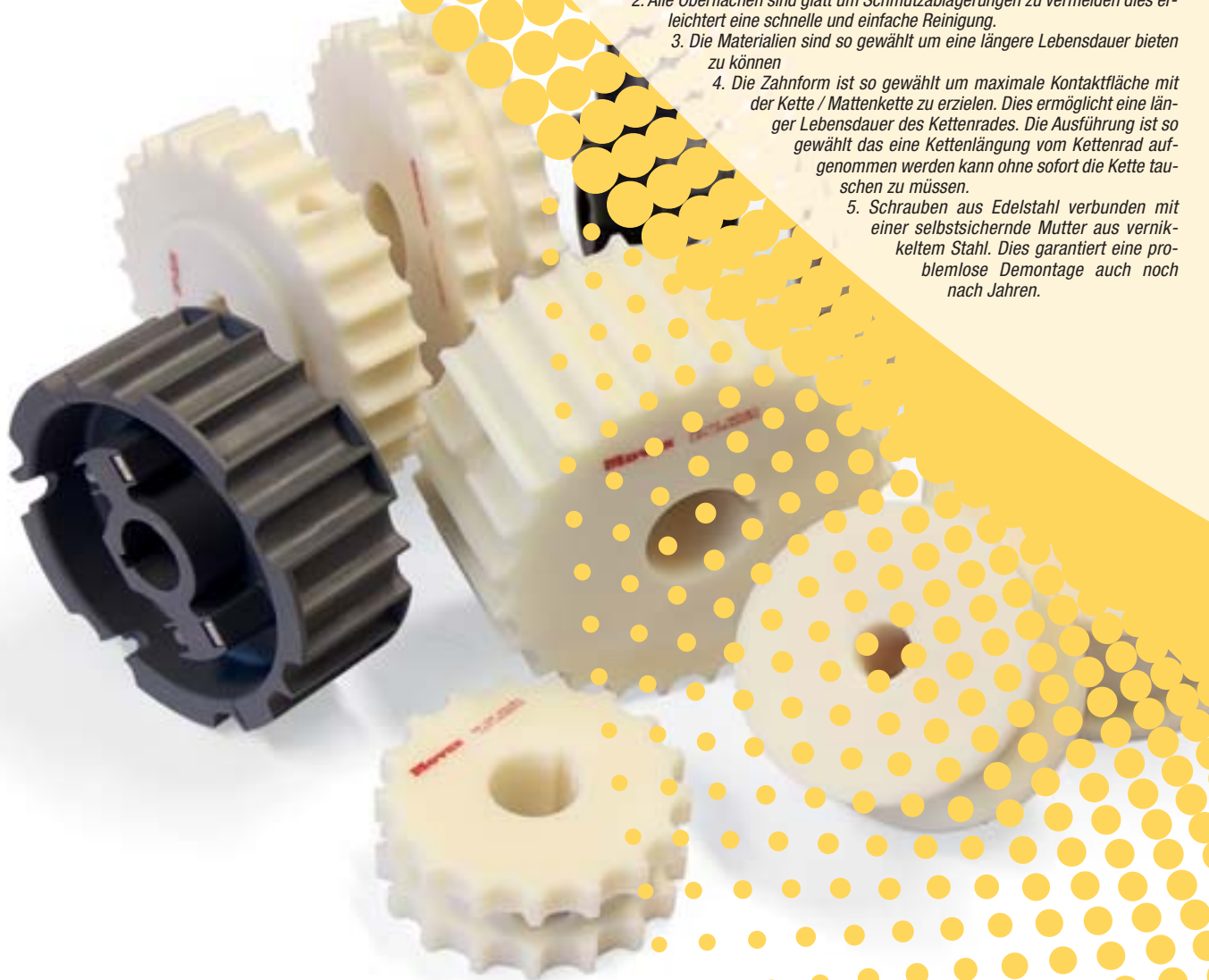
*The sprocket is one of the most important parts of a conveyor. A well designed sprocket will ensure that the conveyor runs smoothly and efficiently for a long time. We have a wide variety of machined and molded sprockets to cover all application needs. Movex Sprockets are designed based on many years of experience to provide you the ultimate solution.*

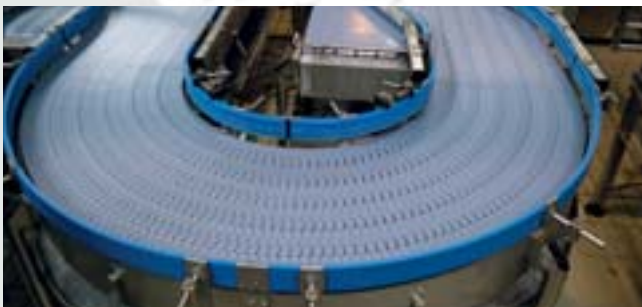
1. *All our sprockets are designed split so that it can be installed and uninstalled from the shaft easily.*
2. *All surfaces and edges from the sprockets are smooth to prevent dirt depositing easily. This makes cleaning easier, maintaining a high hygiene standard.*
3. *Our sprockets are produced from the best polyamide material to ensure longer wear life.*
4. *The sprocket teeth are uniquely designed to provide maximum contact surface with the chain henceforth giving lowest applied force per tooth. This ensures longer wear life for the sprocket. In addition the sprockets are designed in such a way that chain elongation tolerances can be absorbed. This will assure a life-long positive engagement between chain and sprocket.*
5. *Screws used to assemble the sprockets are paired with nickel or zinc plated steel nuts to ensure easy removal.*

## Kettenräder

*Das Kettenrad ist eines der wichtigsten Komponenten in Transportanlagen. Eine intelligentes Design gewährleistet einen ruhigen Lauf und Effizienz für einen langen Zeitraum. Wir bieten ein umfangreiches Programm in gefräster oder gespritzter Ausführung um Ihren Anforderungen entgegen zu kommen. Movex Kettenräder basieren auf jahrelangen Erfahrungen aus den verschiedenen Industrien und vereinen diese Erkenntnisse in einem innovativem Design.*

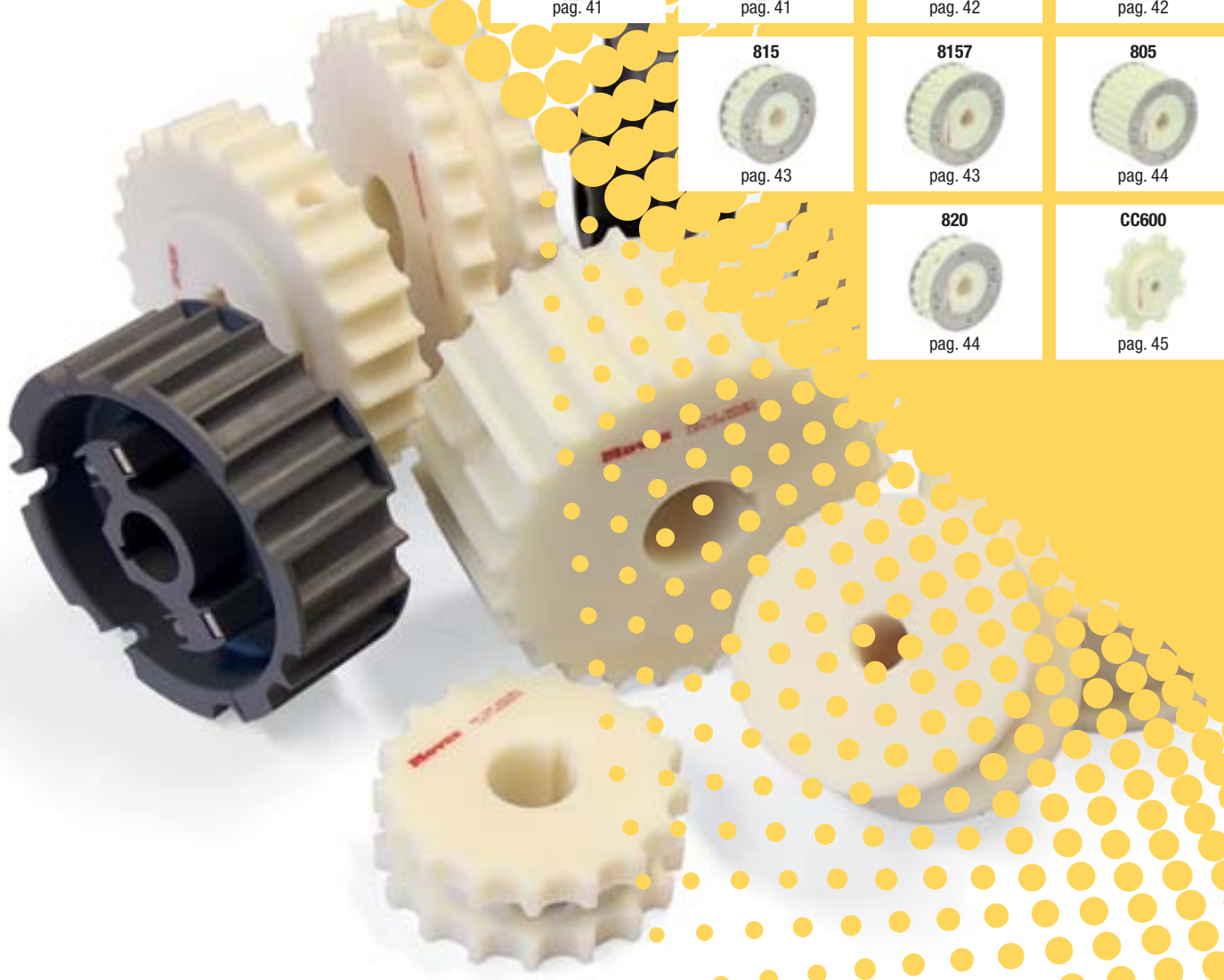
1. *Alle unsere Kettenräder sind zweigeteilt, d.h. einfache Montage und Demontage ohne großen Zeitaufwand*
2. *Alle Oberflächen sind glatt um Schmutzablagerungen zu vermeiden dies erleichtert eine schnelle und einfache Reinigung.*
3. *Die Materialien sind so gewählt um eine längere Lebensdauer bieten zu können*
4. *Die Zahnform ist so gewählt um maximale Kontaktfläche mit der Kette / Mattenkette zu erzielen. Dies ermöglicht eine länger Lebensdauer des Kettenrades. Die Ausführung ist so gewählt das eine Kettenlängung vom Kettenrad aufgenommen werden kann ohne sofort die Kette tauschen zu müssen.*
5. *Schrauben aus Edelstahl verbunden mit einer selbstsichernde Mutter aus vernickeltem Stahl. Dies garantiert eine problemlose Demontage auch noch nach Jahren.*





# chain sprockets

815 pag. 30	815 pag. 30	815 pag. 31	815 pag. 31	881 pag. 32	881 pag. 32
881 pag. 33	881 pag. 33	805 pag. 34	805 pag. 34	8157 pag. 35	8157 pag. 35
820 pag. 36	820 pag. 36	820 pag. 37	820 pag. 37	820 pag. 37	880 pag. 38
880 pag. 38	880 pag. 39	880 pag. 39	880 pag. 39	882 pag. 40	882 pag. 40
882 pag. 41	882 pag. 41	882 pag. 41	882 pag. 41	512 pag. 42	512 pag. 42
815 pag. 43	8157 pag. 43	805 pag. 44	8157 pag. 43	820 pag. 44	CC600 pag. 45

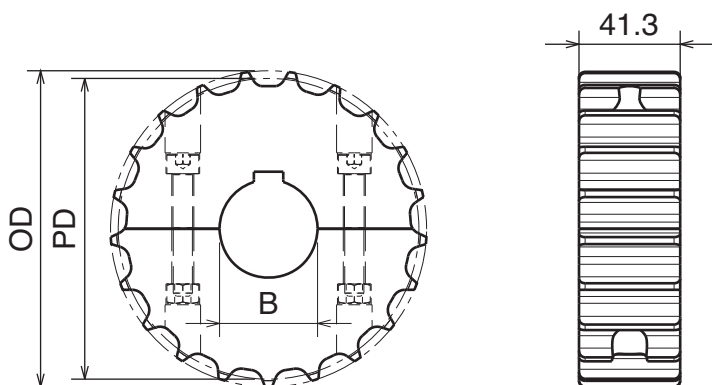


Used also for series  
881M

Materiale:	Material:	Materialien:
Poliammide	Polyamide	Polyamid
Viti: Acciaio inox	Screws: Stainless steel	Schrauben: Edelstahl
Dadi: ferro zincato	Nuts: zinc plated steel	Mutter: verzinkter Stahl



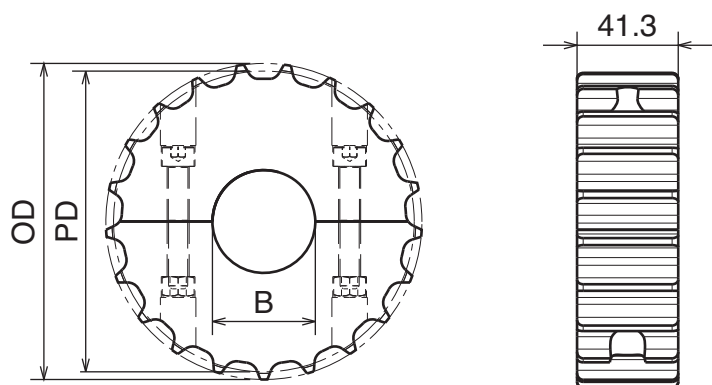
Ruota traino divisa, fresata / Split drive sprocket, machined / geteiltes Antriebskettenrad, gefräst



Part	Article-Nr.	Z-	Bore	PD	OD
501	50101	17	25	105,5	103,9
501	50102		30		
501	50103		35		
501	50104		40		
502	50201	19	25	117,3	117,0
502	50202		30		
502	50203		35		
502	50204		40		
503	50301	21	25	129,3	129,0
503	50302		30		
503	50303		35		
503	50304		40		
504	50401	23	25	141,2	142,0
504	50402		30		
504	50403		35		
504	50404		40		
505	50501	25	25	153,2	154,0
505	50502		30		
505	50503		35		
505	50504		40		
506	50601	27	25	165,2	166,8
506	50602		30		
506	50603		35		
506	50604		40		
507	50701	29	25	177,2	178,5
507	50702		30		
507	50703		35		
507	50704		40		



Ruota rinvio divisa, fresata / Split idler sprocket, machined / geteiltes Umlenkrad, gefräst



Part	Article-Nr.	Z-	Bore	PD	OD
501	50150	17	18*	105,5	103,9
501	50151		25		
501	50152		30		
501	50153		35		
501	50154		40		
502	50250	19	18*	117,3	117,0
502	50251		25		
502	50252		30		
502	50253		35		
502	50254		40		
503	50350	21	18*	129,3	129,0
503	50351		25		
503	50352		30		
503	50353		35		
503	50354		40		
504	50450	23	18*	141,2	142,0
504	50451		25		
504	50452		30		
504	50453		35		
504	50454		40		
505	50550	25	18*	153,2	154,0
505	50551		25		
505	50552		30		
505	50553		35		
505	50554		40		
506	50650	27	18*	165,2	166,8
506	50651		25		
506	50652		30		
506	50653		35		
506	50654		40		
507	50750	29	18*	177,2	178,5
507	50751		25		
507	50752		30		
507	50753		35		
507	50754		40		

\*Plain Bore



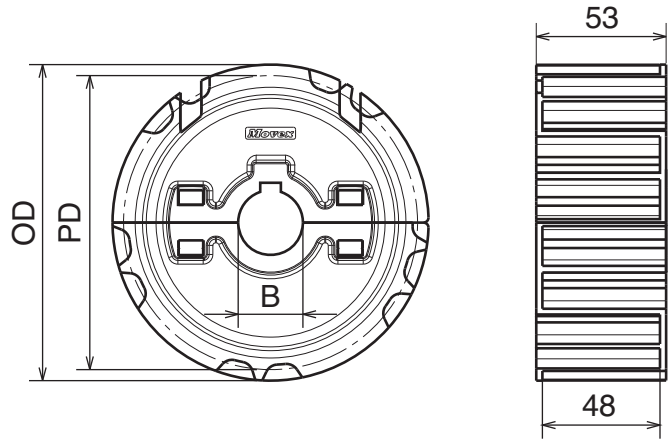
Materiale:	Material:	Materialien:
Poliammide rinforzato	Polyamide reinforced	Verstärktes Polyamid
Viti: Acciaio inox	Screws: Stainless steel	Schrauben: Edelstahl
Dadi: ottone nichelato	Nuts: nickel plated brass	Mutter: Messing vernickelt

Used also for series  
881M

**Ruota traino divisa, stampata / Split drive sprocket, molded / geteiltes Antriebskettenrad, gespritzt**



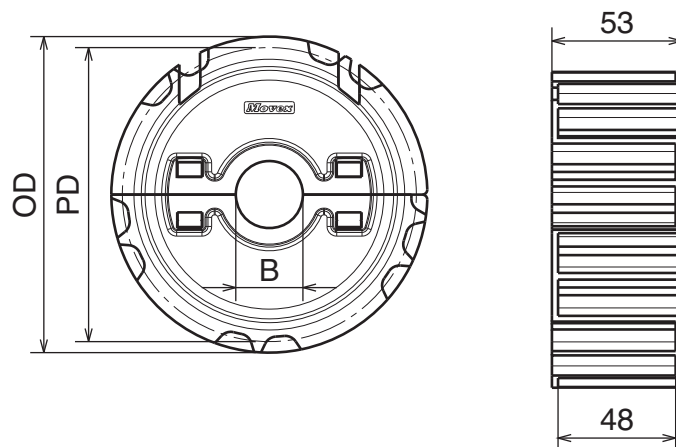
Part	Article-Nr.	Z-	Bore	PD	OD
508	50801	21	25	129,3	129,0
508	50802		30		
508	50803		35		
508	50804		40		
509	50901	23	25	141,2	142,0
509	50902		30		
509	50903		35		
509	50904		40		
510	51001	25	25	153,2	154,0
510	51002		30		
510	51003		35		
510	51004		40		



**Ruota rinvio divisa, stampata / Split idler sprocket, molded / geteiltes Umlenkrad, gespritzt**



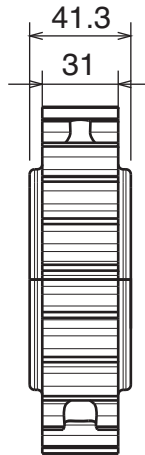
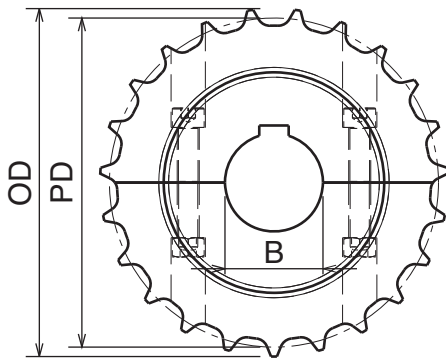
Part	Article-Nr.	Z-	Bore	PD	OD
508	50851	21	25	129,3	129,0
508	50852		30		
508	50853		35		
508	50854		40		
509	50951	23	25	141,2	142,0
509	50952		30		
509	50953		35		
509	50954		40		
510	51051	25	25	153,2	154,0
510	51052		30		
510	51053		35		
510	51054		40		



**Used for series**  
**881B and 881TAB**

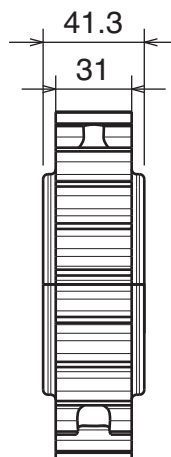
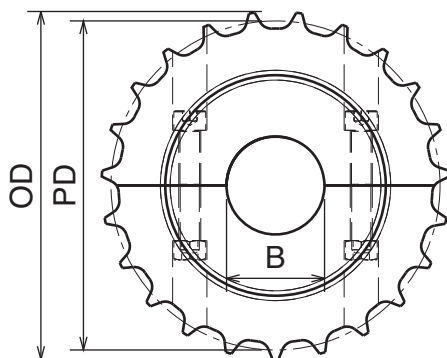
Materiale:	Material:	Materialien:
Poliammide	Polyamide	Polyamid
Viti: Acciaio inox	Screws: Stainless steel	Schrauben: Edelstahl
Dadi: ferro zincato	Nuts: zinc plated steel	Mutter: verzinkter Stahl

**Ruota traino divisa, fresata / Split drive sprocket, machined / geteiltes Antriebskettenrad, gefräst**



Part	Article-Nr.	Z-	Bore	PD	OD
511	51101	17	25	105,5	103,9
511	51102		30		
511	51103		35		
511	51104		40		
512	51201	19	25	117,3	117,0
512	51202		30		
512	51203		35		
512	51204		40		
513	51301	21	25	129,3	129,0
513	51302		30		
513	51303		35		
513	51304		40		
514	51401	23	25	141,2	142,0
514	51402		30		
514	51403		35		
514	51404		40		
515	51501	25	25	153,2	154,0
515	51502		30		
515	51503		35		
515	51504		40		
516	51601	27	25	165,2	166,8
516	51602		30		
516	51603		35		
516	51604		40		
517	51701	29	25	177,2	178,5
517	51702		30		
517	51703		35		
517	51704		40		

**Ruota rinvio divisa, fresata / Split idler sprocket, machined / geteiltes Umlenkrad, gefräst**



Part	Article-Nr.	Z-	Bore	PD	OD
511	51150	17	18*	105,5	103,9
511	51151		25		
511	51152		30		
511	51153		35		
511	51154		40		
512	51250	19	18*	117,3	117,0
512	51251		25		
512	51252		30		
512	51253		35		
512	51254		40		
513	51350	21	18*	129,3	129,0
513	51351		25		
513	51352		30		
513	51353		35		
513	51354		40		
514	51450	23	18*	141,2	142,0
514	51451		25		
514	51452		30		
514	51453		35		
514	51454		40		
515	51550	25	18*	153,2	154,0
515	51551		25		
515	51552		30		
515	51553		35		
515	51554		40		
516	51650	27	18*	165,2	166,8
516	51651		25		
516	51652		30		
516	51653		35		
516	51654		40		
517	51750	29	18*	177,2	178,5
517	51751		25		
517	51752		30		
517	51753		35		
517	51754		40		

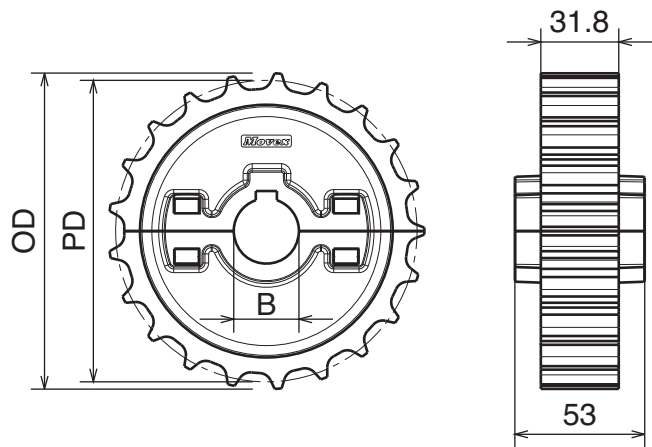
\*Plain Bore

Materiale:	Material:	Materialien:
Poliammide rinforzato	Polyamide reinforced	Verstärktes Polyamid
Viti: Acciaio inox	Screws: Stainless steel	Schrauben: Edelstahl
Dadi: ottone nichelato	Nuts: nickel plated brass	Mutter: Messing vernickelt

Used for series  
881B and 881TAB

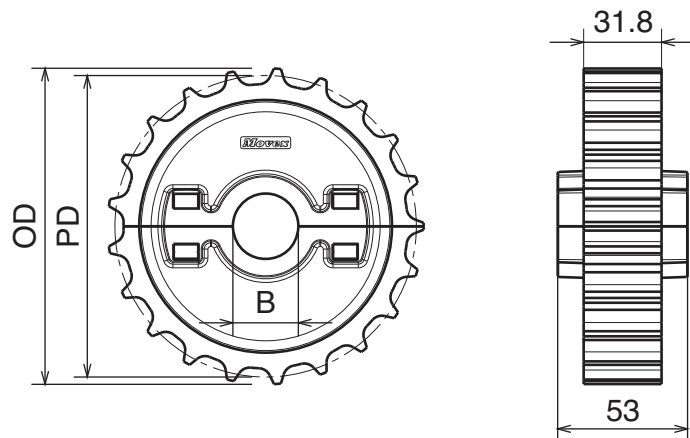
**Ruota traino divisa, stampata / Split drive sprocket, molded / geteiltes Antriebskettenrad, gespritzt**

Part	Article-Nr.	Z-	Bore	PD	OD
518	51801	21	25	129,3	129,0
518	51802		30		
518	51803		35		
518	51804		40		
519	51901	23	25	141,2	142,0
519	51902		30		
519	51903		35		
519	51904		40		
520	52001	25	25	153,2	154,0
520	52002		30		
520	52003		35		
520	52004		40		



**Ruota rinvio divisa, stampata / Split idler sprocket, molded / geteiltes Umlenkrad, gespritzt**

Part	Article-Nr.	Z-	Bore	PD	OD
518	51851	21	25	129,3	129,0
518	51852		30		
518	51853		35		
518	51854		40		
519	51951	23	25	141,2	142,0
519	51952		30		
519	51953		35		
519	51954		40		
520	52051	25	25	153,2	154,0
520	52052		30		
520	52053		35		
520	52054		40		



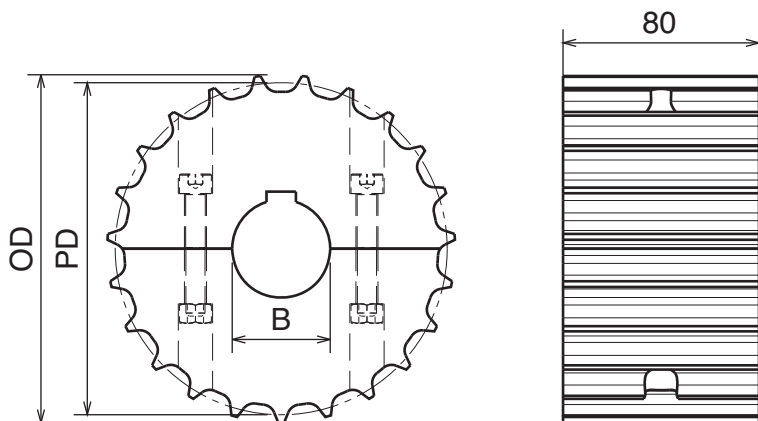
# 805-821

Ruote Fresate  
Machined Sprockets  
Gefräste Kettenräder

Materiale:	Material:	Materialien:
Poliammide	Polyamide	Polyamid
Viti: Acciaio inox	Screws: Stainless steel	Schrauben: Edelstahl
Dadi: ferro zincato	Nuts: zinc plated steel	Mutter: verzinkter Stahl



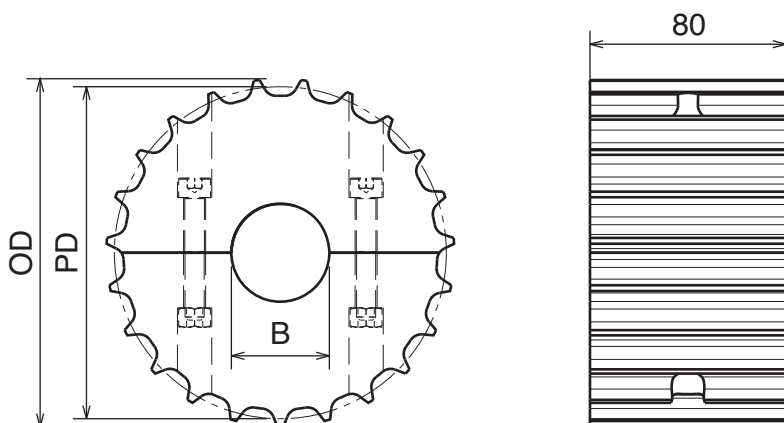
Ruota traino divisa, fresata / Split drive sprocket, machined / geteiltes Antriebskettenrad, gefräst



Part	Article-Nr.	Z-	Bore	PD	OD
521	52101	17	25	105,5	103,9
521	52102		30		
521	52103		35		
521	52104		40		
522	52201	19	25	117,3	117,0
522	52202		30		
522	52203		35		
522	52204		40		
523	52301	21	25	129,3	129,0
523	52302		30		
523	52303		35		
523	52304		40		
524	52401	23	25	141,2	142,0
524	52402		30		
524	52403		35		
524	52404		40		
525	52501	25	25	153,2	154,0
525	52502		30		
525	52503		35		
525	52504		40		
526	52601	27	25	165,2	166,8
526	52602		30		
526	52603		35		
526	52604		40		
527	52701	29	25	177,2	178,5
527	52702		30		
527	52703		35		
527	52704		40		



Ruota rinvio divisa, fresata / Split idler sprocket, machined / geteiltes Umlenkrad, gefräst



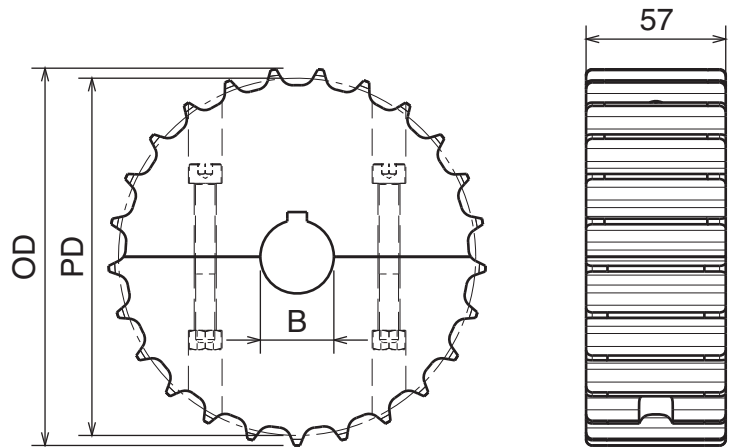
Part	Article-Nr.	Z-	Bore	PD	OD
521	52150	17	18*	105,5	103,9
521	52151		25		
521	52152		30		
521	52153		35		
521	52154		40		
522	52250	19	18*	117,3	117,0
522	52251		25		
522	52252		30		
522	52253		35		
522	52254		40		
523	52350	21	18*	129,3	129,0
523	52351		25		
523	52352		30		
523	52353		35		
523	52354		40		
524	52450	23	18*	141,2	142,0
524	52451		25		
524	52452		30		
524	52453		35		
524	52454		40		
525	52550	25	18*	153,2	154,0
525	52551		25		
525	52552		30		
525	52553		35		
525	52554		40		
526	52650	27	18*	165,2	166,8
526	52651		25		
526	52652		30		
526	52653		35		
526	52654		40		
527	52750	29	18*	177,2	178,5
527	52751		25		
527	52752		30		
527	52753		35		
527	52754		40		

\*Plain Bore

Materiale:	Material:	Materialien:
Poliammide	Polyamide	Polyamid
Viti: Acciaio inox	Screws: Stainless steel	Schrauben: Edelstahl
Dadi: ferro zincato	Nuts: zinc plated steel	Mutter: verzinkter Stahl

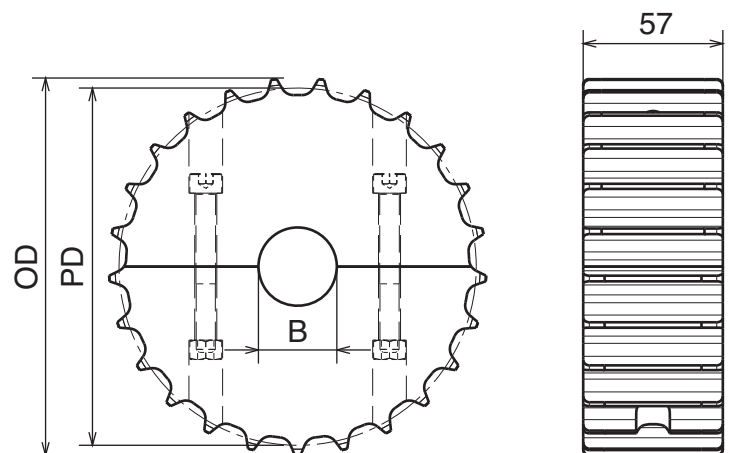
### Ruota traino divisa, fresata / Split drive sprocket, machined / geteiltes Antriebskettenrad, gefräst

Part	Article-Nr.	Z-	Bore	PD	OD
528	52801	17	25	105,5	103,9
528	52802		30		
528	52803		35		
528	52804		40		
529	52901	19	25	117,3	117,0
529	52902		30		
529	52903		35		
529	52904		40		
530	53001	21	25	129,3	129,0
530	53002		30		
530	53003		35		
530	53004		40		
531	53101	23	25	141,2	142,0
531	53102		30		
531	53103		35		
531	53104		40		
532	53201	25	25	153,2	154,0
532	53202		30		
532	53203		35		
532	53204		40		
533	53301	27	25	165,2	166,8
533	53302		30		
533	53303		35		
533	53304		40		
534	53401	29	25	177,2	178,5
534	53402		30		
534	53403		35		
534	53404		40		



### Ruota rinvio divisa, fresata / Split idler sprocket, machined / geteiltes Umlenkrad, gefräst

Part	Article-Nr.	Z-	Bore	PD	OD
528	52850	17	18*	105,5	103,9
528	52851		25		
528	52852		30		
528	52853		35		
528	52854		40		
529	52950	19	18*	117,3	117,0
529	52951		25		
529	52952		30		
529	52953		35		
529	52954		40		
530	53050	21	18*	129,3	129,0
530	53051		25		
530	53052		30		
530	53053		35		
530	53054		40		
531	53150	23	18*	141,2	142,0
531	53151		25		
531	53152		30		
531	53153		35		
531	53154		40		
532	53250	25	18*	153,2	154,0
532	53251		25		
532	53252		30		
532	53253		35		
532	53254		40		
533	53350	27	18*	165,2	166,8
533	53351		25		
533	53352		30		
533	53353		35		
533	53354		40		
534	53450	29	18*	177,2	178,5
534	53451		25		
534	53452		30		
534	53453		35		
534	53454		40		

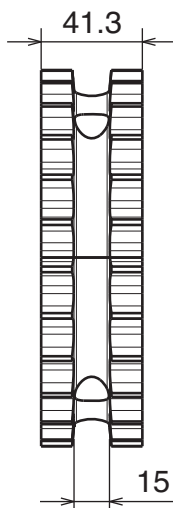
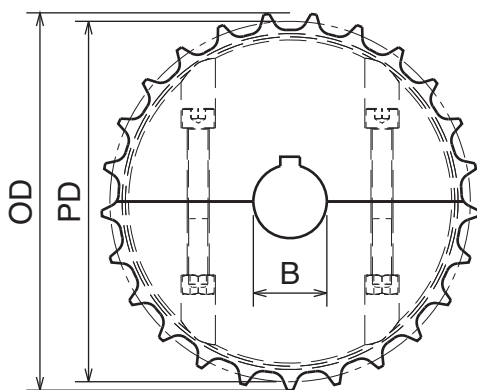


\*Plain Bore

Materiale:	Material:	Materialien:
Poliammide	Polyamide	Polyamid
Viti: Acciaio inox	Screws: Stainless steel	Schrauben: Edelstahl
Dadi: ferro zincato	Nuts: zinc plated steel	Mutter: verzinkter Stahl



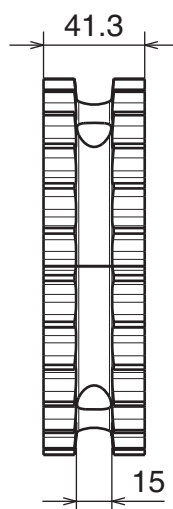
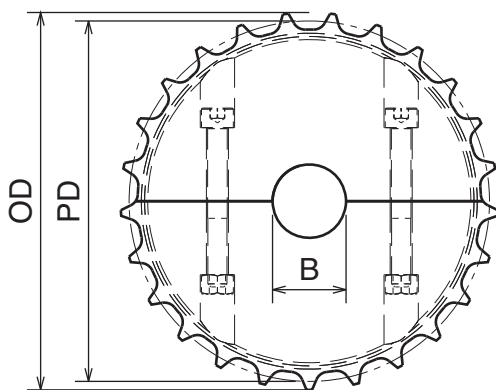
## Ruota traino divisa, fresata / Split drive sprocket, machined / geteiltes Antriebskettenrad, gefräst



Part	Article-Nr.	Z-	Bore	PD	OD
535	53501	17	25	105,5	103,9
535	53502		30		
535	53503		35		
535	53504		40		
536	53601	19	25	117,3	117,0
536	53602		30		
536	53603		35		
536	53604		40		
537	53701	21	25	129,3	129,0
537	53702		30		
537	53703		35		
537	53704		40		
538	53801	23	25	141,2	142,0
538	53802		30		
538	53803		35		
538	53804		40		
539	53901	25	25	153,2	154,0
539	53902		30		
539	53903		35		
539	53904		40		
540	54001	27	25	165,2	166,8
540	54002		30		
540	54003		35		
540	54004		40		
541	54101	29	25	177,2	178,5
541	54102		30		
541	54103		35		
541	54104		40		



## Ruota rinvio divisa, fresata / Split idler sprocket, machined / geteiltes Umlenkrad, gefräst



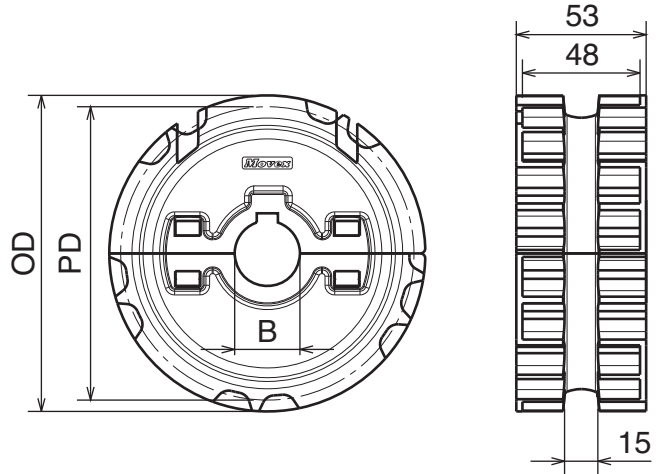
Part	Article-Nr.	Z-	Bore	PD	OD
535	53550	17	18*	105,5	103,9
535	53551		25		
535	53552		30		
535	53553		35		
535	53554		40		
536	53650	19	18*	117,3	117,0
536	53651		25		
536	53652		30		
536	53653		35		
536	53654		40		
537	53750	21	18*	129,3	129,0
537	53751		25		
537	53752		30		
537	53753		35		
537	53754		40		
538	53850	23	18*	141,2	142,0
538	53851		25		
538	53852		30		
538	53853		35		
538	53854		40		
539	53950	25	18*	153,2	154,0
539	53951		25		
539	53952		30		
539	53953		35		
539	53954		40		
540	54050	27	18*	165,2	166,8
540	54051		25		
540	54052		30		
540	54053		35		
540	54054		40		
541	54150	29	18*	177,2	178,5
541	54151		25		
541	54152		30		
541	54153		35		
541	54154		40		

\*Plain Bore

Materiale:	Material:	Materialien:
Poliammide rinforzato	Polyamide reinforced	Verstärktes Polyamid
Viti: Acciaio inox	Screws: Stainless steel	Schrauben: Edelstahl
Dadi: ottone nichelato	Nuts: nickel plated brass	Mutter: Messing vernickelt

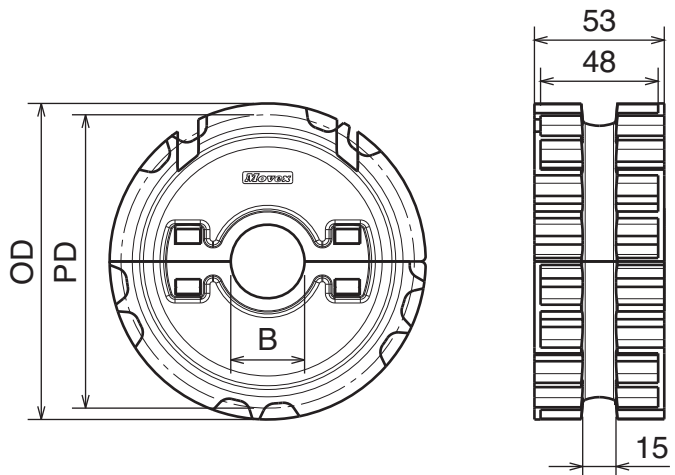
### Ruota traino divisa, stampata / Split drive sprocket, molded / geteiltes Antriebskettenrad, gespritzt

Part	Article-Nr.	Z-	Bore	PD	OD
542	54201	21	25	129,3	129,0
542	54202		30		
542	54203		35		
542	54204		40		
543	54301	23	25	141,2	142,0
543	54302		30		
543	54303		35		
543	54304		40		
544	54401	25	25	153,2	154,0
544	54402		30		
544	54403		35		
544	54404		40		



### Ruota rinvio divisa, stampata / Split idler sprocket, molded / geteiltes Umlenkrad, gespritzt

Part	Article-Nr.	Z-	Bore	PD	OD
542	54251	21	25	129,3	129,0
542	54252		30		
542	54253		35		
542	54254		40		
543	54351	23	25	141,2	142,0
543	54352		30		
543	54353		35		
543	54354		40		
544	54451	25	25	153,2	154,0
544	54452		30		
544	54453		35		
544	54454		40		

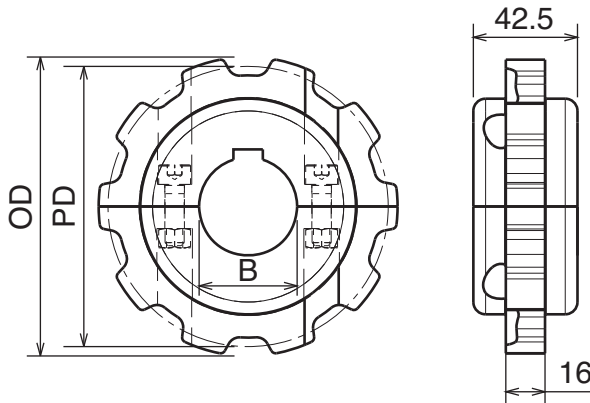


**Also suitable for series**  
**828 - 878 - 879M - 879TAB**

Materiale:	Material:	Materialien:
Poliammide	Polyamide	Polyamid
Viti: Acciaio inox	Screws: Stainless steel	Schrauben: Edelstahl
Dadi: ferro zincato	Nuts: zinc plated steel	Mutter: verzinkter Stahl



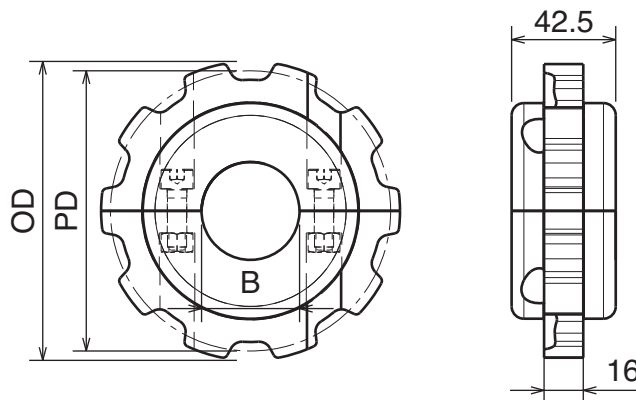
**Ruota traino divisa, fresata / Split drive sprocket, machined / geteiltes Antriebskettenrad, gefräst**



Part	Article-Nr.	Z-	Bore	PD	OD
545	54501	9	25	111,4	110,0
545	54502		30		
545	54503		35		
545	54504		40		
546	54601	10	25	123,3	122,0
546	54602		30		
546	54603		35		
546	54604		40		
547	54701	11	25	135,2	135,0
547	54702		30		
547	54703		35		
547	54704		40		
548	54801	12	25	147,2	147,3
548	54802		30		
548	54803		35		
548	54804		40		



**Ruota rinvio divisa, fresata / Split idler sprocket, machined / geteiltes Umlenkrad, gefräst**



Part	Article-Nr.	Z-	Bore	PD	OD
545	54550	9	18*	111,4	110,0
545	54551		25		
545	54552		30		
545	54553		35		
545	54554		40		
546	54650	10	18*	123,3	122,0
546	54651		25		
546	54652		30		
546	54653		35		
546	54654		40		
547	54750	11	18*	135,2	135,0
547	54751		25		
547	54752		30		
547	54753		35		
547	54754		40		
548	54850	12	18*	147,2	147,3
548	54851		25		
548	54852		30		
548	54853		35		
548	54854		40		

\*Plain Bore

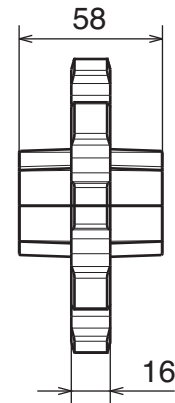
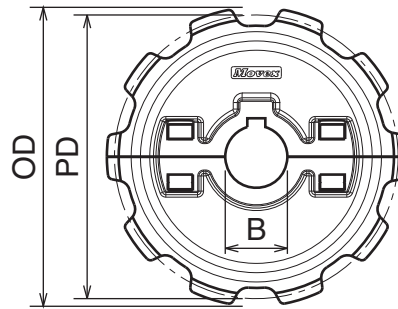


Materiale:	Material:	Materialien:
Poliammide rinforzato	Polyamide reinforced	Verstärktes Polyamid
Viti: Acciaio inox	Screws: Stainless steel	Schrauben: Edelstahl
Dadi: ottone nichelato	Nuts: nickel plated brass	Mutter: Messing vernickelt

Also suitable for series  
828 - 878 - 879M - 879TAB

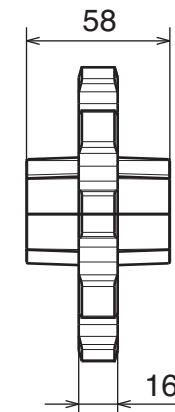
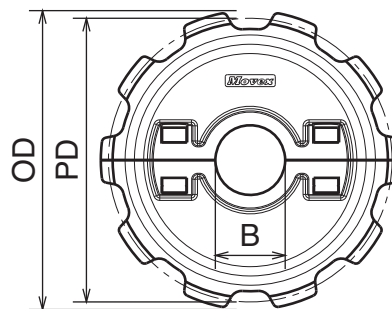
**Ruota traino divisa, stampata / Split drive sprocket, molded / geteiltes Antriebskettenrad, gespritzt**

Part	Article-Nr.	Z-	Bore	PD	OD
549	54901	10	25	123,2	122,0
549	54902		30		
549	54903		35		
549	54904		40		
550	55001	12	25	147,2	147,3
550	55002		30		
550	55003		35		
550	55004		40		



**Ruota rinvio divisa, stampata / Split idler sprocket, molded / geteiltes Umlenkrad, gespritzt**

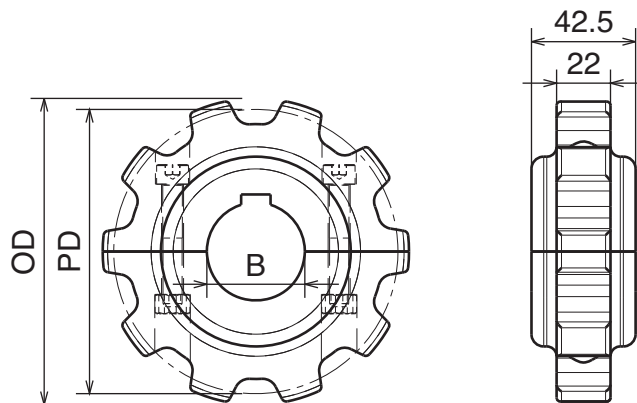
Part	Article-Nr.	Z-	Bore	PD	OD
549	54951	10	25	123,2	122,0
549	54952		30		
549	54953		35		
549	54954		40		
550	55051	12	25	147,2	147,3
550	55052		30		
550	55053		35		
550	55054		40		



**Also suitable for series 8257**

Materiale:	Material:	Materialien:
Poliammide	Polyamide	Polyamid
Viti: Acciaio inox	Screws: Stainless steel	Schrauben: Edelstahl
Dadi: ferro zincato	Nuts: zinc plated steel	Mutter: verzinkter Stahl

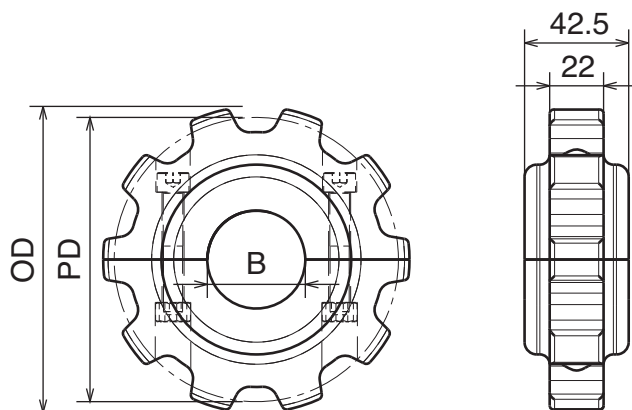
**Ruota traino divisa, fresata / Split drive sprocket, machined / geteiltes Antriebskettenrad, gefräst**



Part	Article-Nr.	Z-	Bore	PD	OD
551	55101	9	25	111,4	112,0
551	55102		30		
551	55103		35		
551	55104		40		
552	55201	10	25	123,2	125,0
552	55202		30		
552	55203		35		
552	55204		40		
553	55301	11	25	135,2	137,0
553	55302		30		
553	55303		35		
553	55304		40		
554	55401	12	25	147,2	149,0
554	55402		30		
554	55403		35		
554	55404		40		



**Ruota rinvio divisa, fresata / Split idler sprocket, machined / geteiltes Umlenkrad, gefräst**



Part	Article-Nr.	Z-	Bore	PD	OD
551	55150	9	18*	111,4	112,0
551	55151		25		
551	55152		30		
551	55153		35		
551	55154		40		
552	55250	10	18*	123,2	125,0
552	55251		25		
552	55252		30		
552	55253		35		
552	55254		40		
553	55350	11	18*	135,2	137,0
553	55351		25		
553	55352		30		
553	55353		35		
553	55354		40		
554	55450	12	18*	147,2	149,0
554	55451		25		
554	55452		30		
554	55453		35		
554	55454		40		

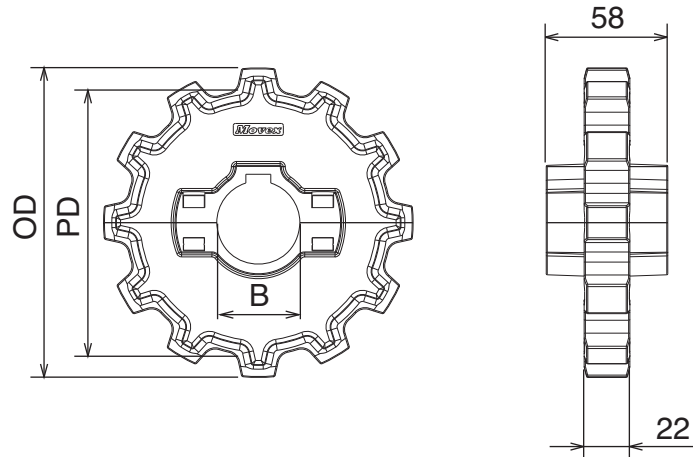
\*Plain Bore

Materiale:	Material:	Materialien:
Poliamide rinforzato	Polyamide reinforced	Verstärktes Polyamid
Viti: Acciaio inox	Screws: Stainless steel	Schrauben: Edelstahl
Dadi: ottone nichelato	Nuts: nickel plated brass	Mutter: messing vernickelt

Also suitable for series  
8257

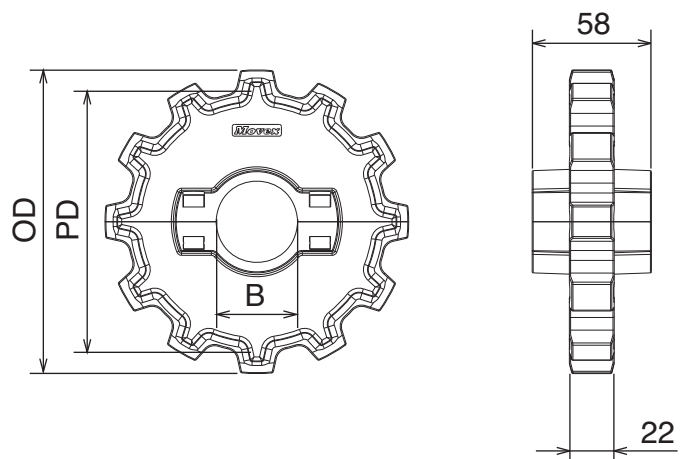
**Ruota traino divisa, stampata / Split drive sprocket, molded / geteiltes Antriebskettenrad, gespritzt**

Part	Article-Nr.	Z-	Bore	PD	OD
555	55501	10	25	123,2	125,0
555	55502		30		
555	55503		35		
555	55504		40		
556	55601	12	25	147,2	149,0
556	55602		30		
556	55603		35		
556	55604		40		



**Ruota rinvio divisa, stampata / Split idler sprocket, molded / geteiltes Umlenkrad, gespritzt**

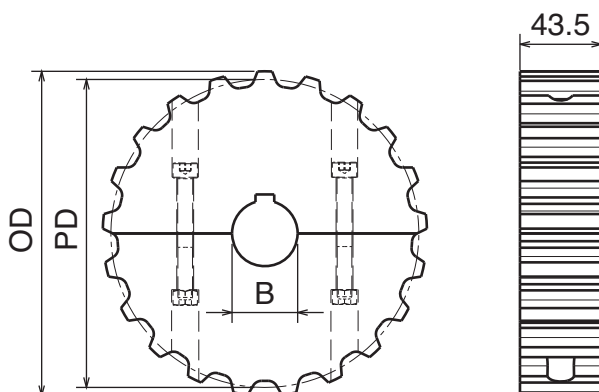
Part	Article-Nr.	Z-	Bore	PD	OD
555	55551	10	25	123,2	125,0
555	55552		30		
555	55553		35		
555	55554		40		
556	55651	12	25	147,2	149,0
556	55652		30		
556	55653		35		
556	55654		40		



Materiale:	Material:	Materialien:
Poliammide	Polyamide	Polyamid
Viti: Acciaio inox	Screws: Stainless steel	Schrauben: Edelstahl
Dadi: ferro zincato	Nuts: zinc plated steel	Mutter: verzinkter Stahl



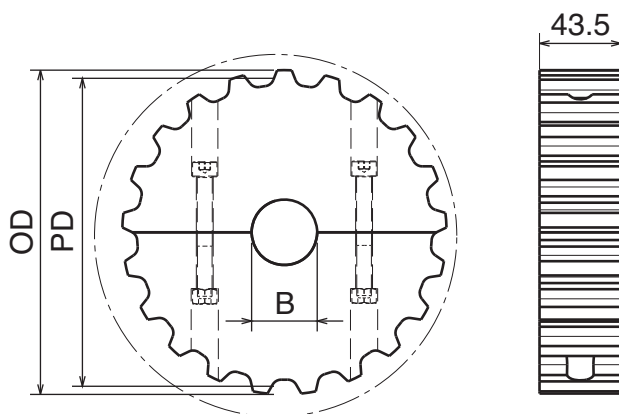
**Ruota traino divisa, fresata / Split drive sprocket, machined / geteiltes Antriebskettenrad, gefräst**



Part	Article-Nr.	Z-	Bore	PD	OD
557	55701	13	25	108,0	106,1
557	55702		30		
557	55703		35		
557	55704		40		
558	55801	15	25	124,0	122,2
558	55802		30		
558	55803		35		
558	55804		40		
559	55901	17	25	138,2	138,2
559	55902		30		
559	55903		35		
559	55904		40		
560	56001	18	25	146,3	146,4
560	56002		30		
560	56003		35		
560	56004		40		
561	56101	19	25	154,3	155,7
561	56102		30		
561	56103		35		
561	56104		40		
562	56201	21	25	170,4	173,0
562	56202		30		
562	56203		35		
562	56204		40		
563	56301	23	25	186,5	190,0
563	56302		30		
563	56303		35		
563	56304		40		
564	56401	25	25	202,7	204,0
564	56402		30		
564	56403		35		
564	56404		40		



**Ruota rinvio divisa, fresata / Split idler sprocket, machined / geteiltes Umlenkrad, gefräst**



Part	Article-Nr.	Z-	Bore	PD	OD
557	55750	13	18*	108,0	106,1
557	55751		25		
557	55752		30		
557	55753		35		
557	55754		40		
558	55850	15	18*	124,0	122,2
558	55851		25		
558	55852		30		
558	55853		35		
558	55854		40		
559	55950	17	18*	138,2	138,2
559	55951		25		
559	55952		30		
559	55953		35		
559	55954		40		
560	56050	18	18*	146,3	146,4
560	56051		25		
560	56052		30		
560	56053		35		
560	56054		40		
561	56150	19	18*	154,3	155,7
561	56151		25		
561	56152		30		
561	56153		35		
561	56154		40		
562	56250	21	18*	170,4	173,0
562	56251		25		
562	56252		30		
562	56253		35		
562	56254		40		
563	56350	23	18*	186,5	190,0
563	56351		25		
563	56352		30		
563	56353		35		
563	56354		40		
564	56450	25	18*	202,7	204,0
564	56451		25		
564	56452		30		
564	56453		35		
564	56454		40		

\*Plain Bore

Materiale:	Material:	Materialien:
Poliammide	Polyamide	Polyamid
Viti: Acciaio inox	Screws: Stainless steel	Schrauben: Edelstahl
Dadi: ferro zincato	Nuts: zinc plated steel	Mutter: verzinkter Stahl
Flange: Acciaio inox	Guides: Stainless steel	Bordscheibe: Edelstahl

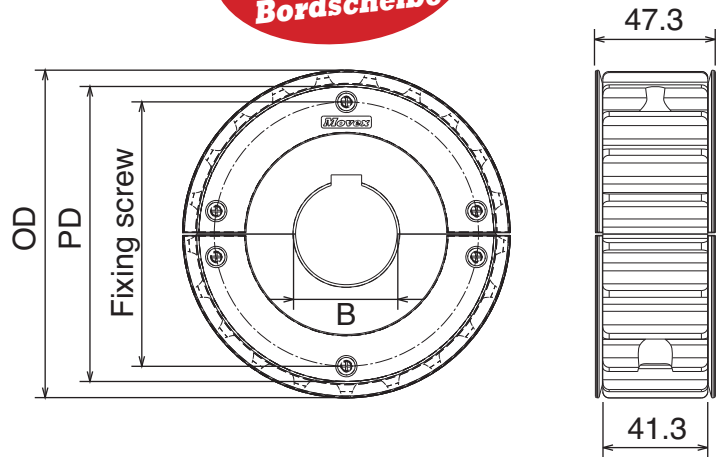
## 815

Ruota flangiata divisa, fresata / Split sprocket with guides, machined / Geteiltes Kettenrad mit Bordscheibe, gefräst

Part	Article-Nr.	Z-	Bore	PD	OD	Ø screw
503	50301G	21	25	129,3	129,0	104,0
503	50302G		30			
503	50303G		35			
503	50304G		40			
504	50401G	23	25	141,2	142,0	116,0
504	50402G		30			
504	50403G		35			
504	50404G		40			
505	50501G	25	25	153,2	154,0	128,0
505	50502G		30			
505	50503G		35			
505	50504G		40			



Anelli Inox  
SS rings  
Edelstahl  
Bordscheibe



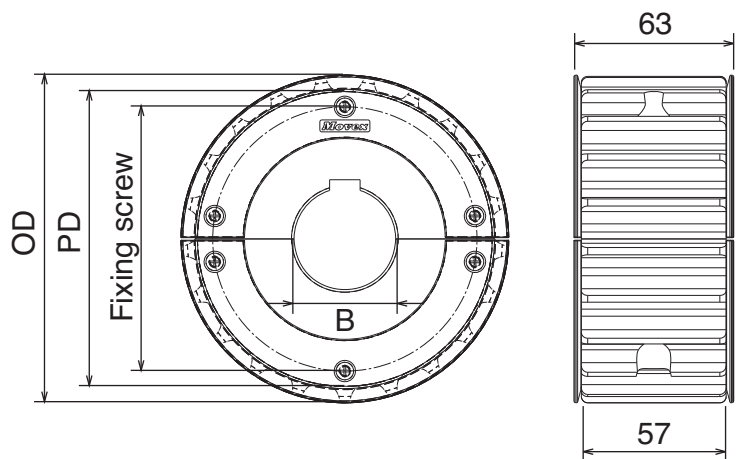
## 8157

Ruota flangiata divisa, fresata / Split sprocket with guides, machined / Geteiltes Kettenrad mit Bordscheibe, gefräst

Part	Article-Nr.	Z-	Bore	PD	OD	Ø screw
530	53001G	21	25	129,3	129,0	104,0
530	53002G		30			
530	53003G		35			
530	53004G		40			
531	53101G	23	25	141,2	142,0	116,0
531	53102G		30			
531	53103G		35			
531	53104G		40			
532	53201G	25	25	153,2	154,0	128,0
532	53202G		30			
532	53203G		35			
532	53204G		40			



Anelli Inox  
SS rings  
Edelstahl  
Bordscheibe

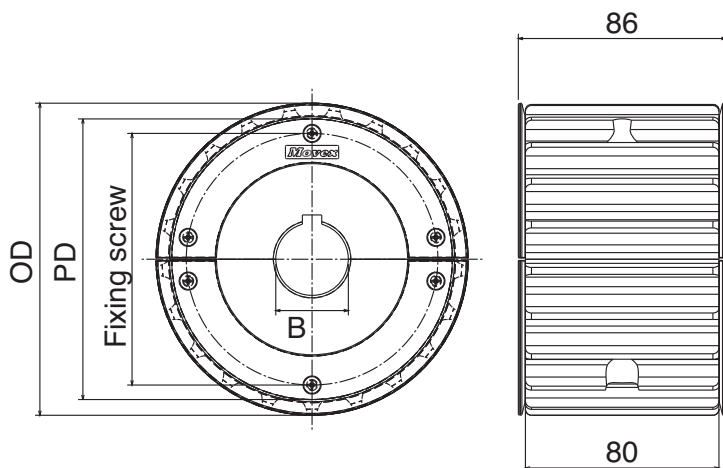


# 805-820

Ruote Fresate  
Machined Sprockets  
Gefräste Kettenräder



**Anelli Inox**  
**SS rings**  
**Edelstahl**  
**Bordscheibe**



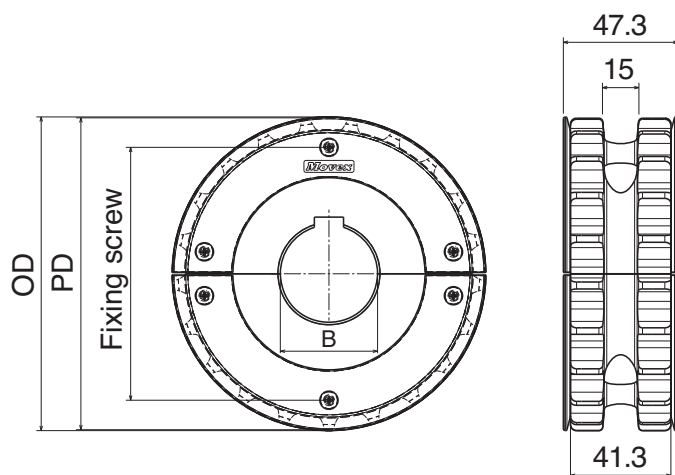
## 805

Ruota flangiata divisa, fresata / Split sprocket with guides, machined / Geteiltes Kettenrad mit Bordscheibe, gefräst

Part	Article-Nr.	Z-	Bore	PD	OD	Ø screw
523	52301G	21	25	129,3	129,0	104,0
523	52302G		30			
523	52303G		35			
523	52304G		40			
524	52401G	23	25	141,2	142,0	116,0
524	52402G		30			
524	52403G		35			
524	52404G		40			
525	52501G	25	25	153,2	154,0	128,0
525	52502G		30			
525	52503G		35			
525	52504G		40			



**Anelli Inox**  
**SS rings**  
**Edelstahl**  
**Bordscheibe**



## 820

Ruota flangiata divisa, fresata / Split sprocket with guides, machined / Geteiltes Kettenrad mit Bordscheibe, gefräst

Part	Article-Nr.	Z-	Bore	PD	OD	Ø screw
537	53701G	21	25	129,3	129,0	104,0
537	53702G		30			
537	53703G		35			
537	53704G		40			
538	53801G	23	25	141,2	142,0	116,0
538	53802G		30			
538	53803G		35			
538	53804G		40			
539	53901G	25	25	153,2	154,0	128,0
539	53902G		30			
539	53903G		35			
539	53904G		40			

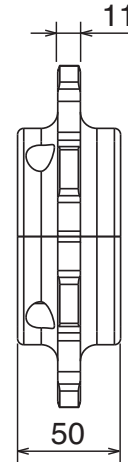
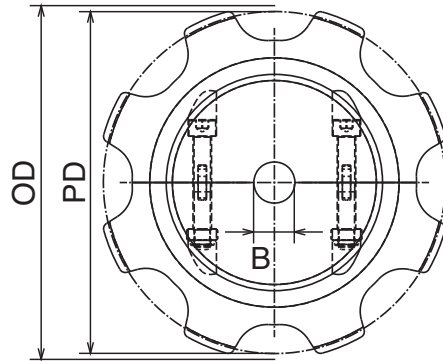
Materiale:	Material:	Materialien:
Poliammide	Polyamide	Polyamid
Viti: Acciaio inox	Screws: Stainless steel	Schrauben: Edelstahl
Dadi: ferro zincato	Nuts: zinc plated steel	Mutter: verzinkter Stahl

## CC600

Ruota rinvio divisa, fresata / Split idler sprocket, machined / geteiltes Umlenrad, gefräst

Part	Article-Nr.	Z-	Bore	PD	OD
565	56550	8	20	172,0	166,0
566	56650	10	20	215,0	205,0
567	56750	12	20	256,0	246,0
568	56850	14	20	297,0	286,0

For adequate quantities these sprockets can be delivered with finished bore.







# chains idler wheels

815



pag. 48

815



pag. 48

805



pag. 49

821



pag. 49

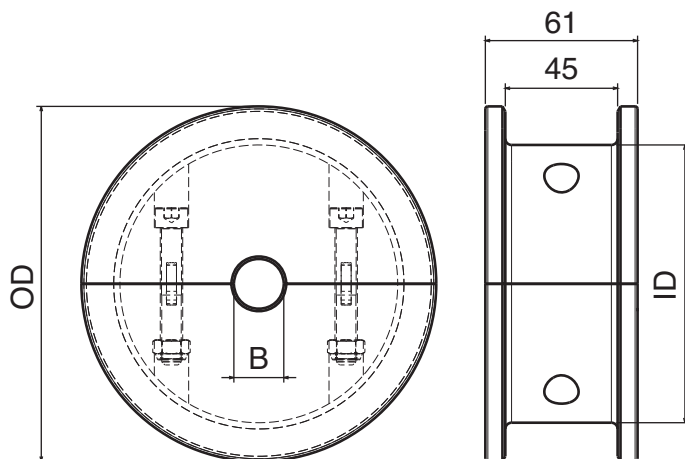
881



pag. 50



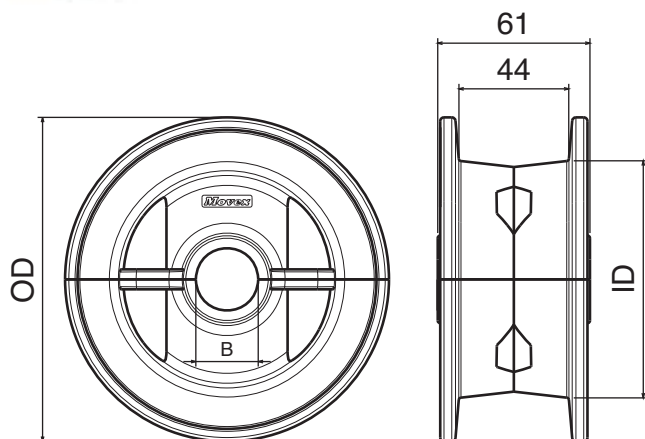
**Also suitable for series**  
**881M - 820 - 831 - 828**  
**879M - 880/880M**



*Ruota rinvio liscia, divisa, fresata / Split idler wheel, machined / geteilte Umlenkrolle, gefräst*

Materiale:	Material:	Materialien:
Poliammide	Polyamide	Polyamid
Viti: Acciaio inox	Screws: Stainless steel	Schrauben: Edelstahl
Dadi: ferro zincato per fresate	Nuts: zinc plated steel for machined	Mutter: verzinkter Stahl für gefräste Version
Dadi: ottone nichelato per stampate	Nuts: nickel plated brass for molded	Mutter: Messing vernickelt für gespritzt Version

Part	Article-Nr.	ecq. Z-	Bore	OD	ID
601	60100	17	20	104,0	75,2
601	60101		25		
601	60102		30		
601	60103		35		
601	60104		40		
602	60200	19	20	117,0	92,2
602	60201		25		
602	60202		30		
602	60203		35		
602	60204		40		
603	60300	21	20	129,8	105,0
603	60301		25		
603	60302		30		
603	60303		35		
603	60304		40		
604	60400	23	20	142,2	111,3
604	60401		25		
604	60402		30		
604	60403		35		
604	60404		40		
605	60500	25	20	154,7	124,7
605	60501		25		
605	60502		30		
605	60503		35		
605	60504		40		
606	60600	27	20	167,2	135,0
606	60601		25		
606	60602		30		
606	60603		35		
606	60604		40		
607	60700	29	20	179,3	140,0
607	60701		25		
607	60702		30		
607	60703		35		
607	60704		40		



*Ruota rinvio liscia, divisa, stampata / Split idler wheel, molded / geteilte Umlenkrolle, gespritzt*

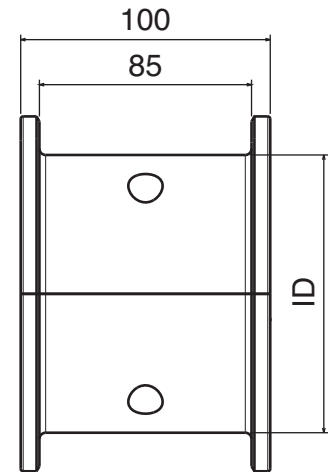
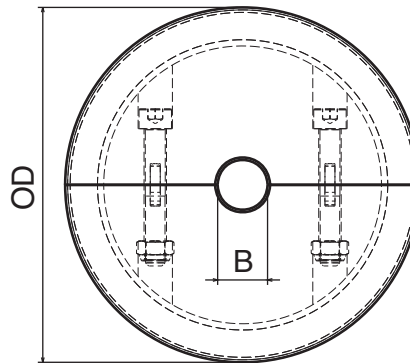
Part	Article-Nr.	ecq. Z-	Bore	OD	ID
608	60801	21	25	129,8	94,8
608	60802		30		
608	60803		35		
608	60804		40		
609	60901	23	25	142,2	99,3
609	60902		30		
609	60903		35		
609	60904		40		
610	61001	25	25	154,7	102,0
610	61002		30		
610	61003		35		
610	61004		40		

Materiale:	Material:	Materialien:
Poliammide	Polyamide	Polyamid
Viti: Acciaio inox	Screws: Stainless steel	Schrauben: Edelstahl
Dadi: ferro zincato	Nuts: zinc plated steel	Mutter: verzinkter Stahl

## 805

Ruota rinvio liscia, divisa, fresata / Split idler wheel, machined / geteilte Umlenkrolle, gefräst

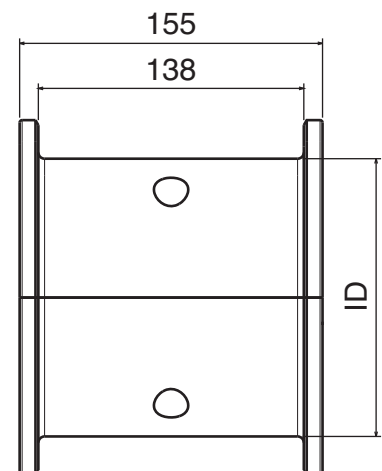
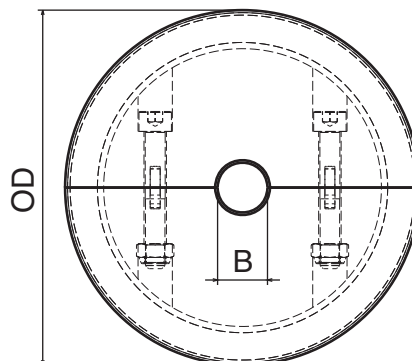
Part	Article-Nr.	ecq.	Z-	Bore	OD	ID
611	61100	17		20	104,0	75,2
611	61101			25		
611	61102			30		
611	61103			35		
611	61104			40		
612	61200	19		20	117,0	92,2
612	61201			25		
612	61202			30		
612	61203			35		
612	61204			40		
613	61300	21		20	129,8	105,0
613	61301			25		
613	61302			30		
613	61303			35		
613	61304			40		
614	61400	23		20	142,2	111,3
614	61401			25		
614	61402			30		
614	61403			35		
614	61404			40		
615	61500	25		20	154,7	124,7
615	61501			25		
615	61502			30		
615	61503			35		
615	61504			40		
616	61600	27		20	167,2	135,0
616	61601			25		
616	61602			30		
616	61603			35		
616	61604			40		
617	61700	29		20	179,3	140,0
617	61701			25		
617	61702			30		
617	61703			35		
617	61704			40		



## 821

Ruota rinvio liscia, divisa, fresata / Split idler wheel, machined / geteilte Umlenkrolle, gefräst

Part	Article-Nr.	ecq.	Z-	Bore	OD	ID
625	62500	19		20	117,0	92,2
625	62501			25		
625	62502			30		
625	62503			35		
625	62504			40		
626	62600	21		20	129,8	105,0
626	62601			25		
626	62602			30		
626	62603			35		
626	62604			40		
627	62700	23		20	142,2	111,3
627	62701			25		
627	62702			30		
627	62703			35		
627	62704			40		
628	62800	25		20	154,7	124,7
628	62801			25		
628	62802			30		
628	62803			35		
628	62804			40		



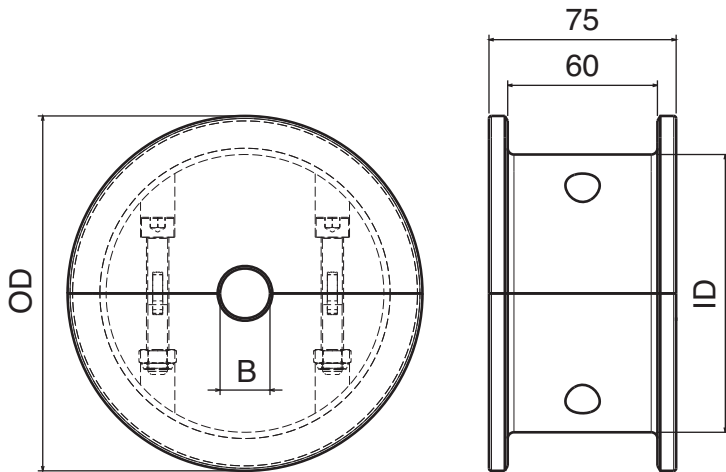
# 881 Tab

Ruote Rinvio Fresate  
Machined Idler Wheels  
Gefräste Umlenkrolle



Also suitable for series  
882M - 8257

Ruota rinvio liscia, divisa, fresata / Split idler wheel, machined / geteilte Umlenkrolle, gefräst



Materiale:	Material:	Materialien:
Poliammide	Polyamide	Polyamid
Viti: Acciaio inox	Screws: Stainless steel	Schrauben: Edelstahl
Dadi: ferro zincato	Nuts: zinc plated steel	Mutter: verzinkter Stahl

Part	Article-Nr.	ecq.	Z-	Bore	OD	ID
618	61800	17	20	104,0	75,2	
618	61801		25			
618	61802		30			
618	61803		35			
618	61804		40			
619	61900	19	20	117,0	92,2	
619	61901		25			
619	61902		30			
619	61903		35			
619	61904		40			
620	62000	21	20	129,8	105,0	
620	62001		25			
620	62002		30			
620	62003		35			
620	62004		40			
621	62100	23	20	142,2	111,3	
621	62101		25			
621	62102		30			
621	62103		35			
621	62104		40			
622	62200	25	20	154,7	124,7	
622	62201		25			
622	62202		30			
622	62203		35			
622	62204		40			
623	62300	27	20	167,2	135,0	
623	62301		25			
623	62302		30			
623	62303		35			
623	62304		40			
624	62400	29	20	179,3	140,0	
624	62401		25			
624	62402		30			
624	62403		35			
624	62404		40			

## Curve

**Tipologia di curve** 1) Magnetiche - 2) Tab - 3) Bevel

**Caratteristiche delle curve magnetiche** La curva magnetica rappresenta il sistema più efficace ed affidabile per trasportatori con catene a cerniera. Le nostre curve magnetiche sono prodotte da lastre di UHMW-PE di elevata qualità con magneti permanenti alloggiati all'interno della lastra. I magneti mantengono la catena nella via tracciata in curva garantendo la planarità della superficie di trasporto della catena, migliorando la stabilità del prodotto trasportato.

**Vantaggi - Igiene:** La catena sulla via di scorrimento in curva può essere facilmente sollevata per consentire più facilmente pulizia e manutenzione.

**Intercambiabilità:** Catene in plastica e in acciaio possono essere utilizzate sulle nostre curve semplificando progetto/realizzazione del trasportatore e consentendo di ridurre scorte di ricambi a magazzino. **Materiali:** La parte superiore delle nostre curve è ottenuta da UHMW-PE di elevata qualità che consente una più lunga durata di catene e delle stesse curve. **Attrito:** I magneti vengono accuratamente selezionati e posizionati per garantire il campo magnetico più idoneo al mantenimento della catena nella sede. Un campo magnetico troppo elevato aumenta l'attrito e riduce la durata di curva e catena.

## Corner Tracks

**Types of Corner Track** 1) Magnetic - 2) Tab - 3) Bevel

**Characteristics of Magnetic Corner Tracks** The magnetic corner track is the most effective and reliable system for the table top conveyor design. Our magnetic corner tracks are made of high quality UHMW-PE with permanent magnets embedded in the curve. The magnets hold the chain on the corner track and this provides a flat carrying surface for the chain; thus, improving product stability and support for the conveyor.

**Benefits - Hygiene:** Chains on the magnetic corner tracks can be easily lifted such that it is easier for cleaning and maintenance. **Inter-changeable:** Plastic and SS chains can be used on the curve thus reducing inventory and simpler conveyor design. **Materials:** The upper track of the corner tracks uses high quality UHMW-PE which gives a longer wear life for both the chain and the curve. **Magnetic Force:** Magnets are carefully selected and positioned to provide the correct magnetic field which is just sufficient to keep the chain down. Too high magnetic force will increase the frictional force and reduces wear life of both chains and curve.

## Kurvenführungen

**Typen** 1) Magnet - 2) TAB - 3) Schwalbenschanz

**Charakteristik der Magnet-Kurvenführung** Die Magnet-Kurvenführung ist das effektivste und bewährteste System für Transporteure mit Scharnierbandketten. Unsere Magnetkurven sind aus hochwertigem UHMW-PE mit permanenten in die Führung eingebetteten Magneten ausgeführt. Die Magnete halten die Scharnierbandkette in der Führung und dies resultiert in einem ruhigen Lauf der Kette, damit wird eine bessere Produktstabilität erreicht.

**Vorteile - Hygiene:** zur Reinigung können die Scharnierband-Ketten einfach, ohne großen Aufwand, aus der Führung herausgenommen werden. Dies erspart Zeit und Stillstandszeiten. **Flexibilität:** Kunststoff- als auch Edelstahl-Scharnierband-Ketten können mit dieser Kurvenführung verwendet werden, dies vereinfacht die Konstruktion des Transporteurs und reduziert die Lagerhaltung. **Materialien:** Das Oberteil der Magnetkurve ist aus hochwertigem UHMW-PE gefertigt und bietet eine längere Standzeit nicht nur für die Führung sondern auch für die Scharnierbandkette. **Magnetkraft:** Die Magnete sind so angeordnet, und ausgewählt, um ein homogenes und konstantes Magnetfeld zu erzeugen um ein ruhiges und rück freies Laufen der Kette zu gewährleisten.

## Curve Magnetiche Magnetic Curves Magnet Kurven

**Movex-RS**   
High Performance Tracks

**Movex** presenta la nuova curva magnetica **RS** in grado di offrire sensibili miglioramenti in campo applicativo. Il nuovo prodotto è dotato di guide di scorrimento in **BluLub**, un materiale innovativo ad alte prestazioni, additivato con lubrificanti solidi e particolarmente indicato per applicazioni con limitate lubrificazioni o completamente a secco. Le curve magnetiche dotate di inserti in **BluLub** impiegano meno energia, riducono il PV-limite ed il basso coefficiente d'attrito aumenta la stabilità del prodotto nonché la vita operativa di catene e tappeti modulari. Le nuove curve **RS** sono perfettamente intercambiabili con le versioni tradizionali a catalogo.

**Movex** introduces a new magnetic curve **RS** in order to offer greater conveyor performance. The new product is equipped with wear-strips in **BluLub**, an innovative high-tech material with solid lubricants. **BluLub** contributes to improved PV-properties compared to standard UHMW-PE curves especially in applications with limited lubrication, higher speeds and/or higher loads. Curves **RS** equipped with **BluLub** inserts, need less energy and with the lower coefficient of friction improve the product stability and wear-life of chains and belts. The new **RS** curves are perfectly interchangeable with the traditional versions.

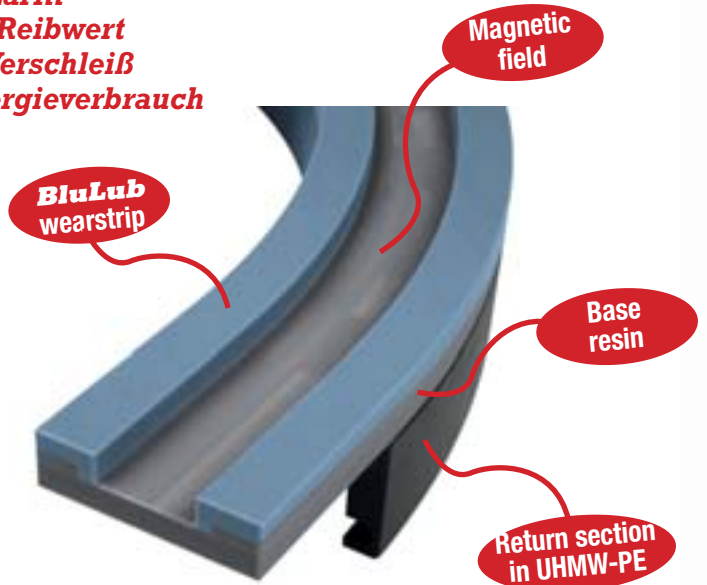
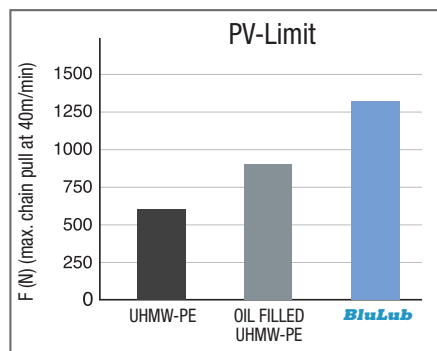
**Movex** präsentiert die neue Magnetkurve **RS**. Diese bietet eine bessere Performance. Unser neues Produkt hat integrierte Leisten aus **BluLub**, ein innovatives Material für hohe Anforderungen. **BluLub** trägt, im Vergleich zu Standard UHMWPE, dazu bei den PV-Limit zu verbessern. Besonders bei Anwendungen mit verminderter Schmierung, hohen Geschwindigkeiten und/oder hoher Belastung kann die Verwendung von **BluLub** Material eine Lösung sein. Ein weiterer Vorteil unserer Magnetkurven **RS** ist die Verringerung des Energieverbrauchs durch Minimierung der Reibwerte gegenüber Standardkurven. Die extrem niedrige Friktion erhöht die Stabilität des zu transportierenden Produktes und verlängert die Standzeit der Scharnierbandketten/Mattenketten. Unsere Magnetkurve **RS** ist mit allen gängigen Standardkurven aus unserem Katalog kompatibel.

### Advantages:

- **Less Noise**
- **Lower Friction**
- **Lower Wear**
- **Less Energy**

### Vorteile:

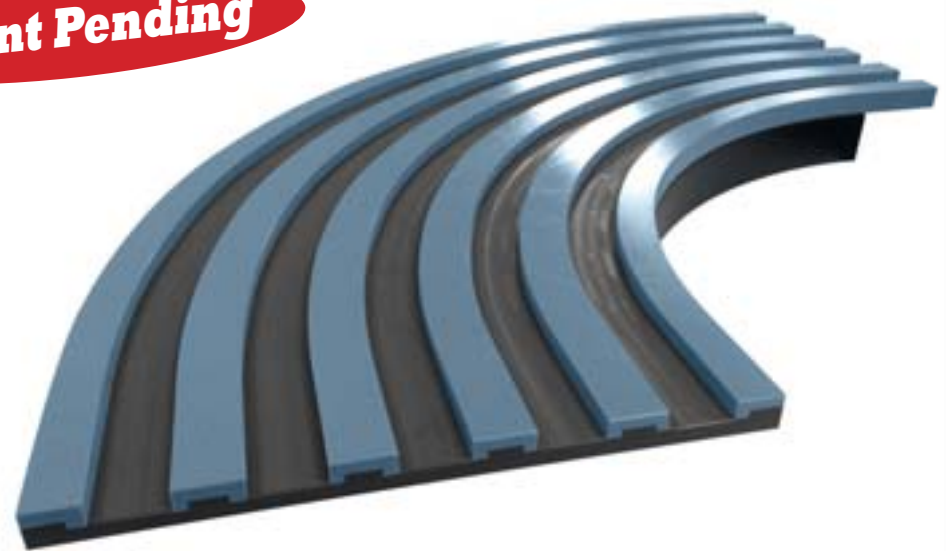
- **geringerer Lärm**
- **niedrigerer Reibwert**
- **geringerer Verschleiß**
- **weniger Energieverbrauch**



**Patent Pending**

### Available Versions

M6	pag. 52
M7	pag. 53
M10	pag. 54
M8	pag. 56
M42	pag. 57
M9	pag. 58



Curve magnetiche / Magnetic curves / Magnet Kurven

880-881 Rm500



pag. 54

880-881 Rm500



pag. 55

880-881 Rm500



pag. 56

880-881 Rm500



pag. 57

880-881 Rm750



pag. 58

880-881 Rm750



pag. 59

880-881 Rm750



pag. 60

880-881 Rm860



pag. 61

880-881  
K450 - Rm500



pag. 62

880-881  
K450 - Rm610



pag. 63

880-881  
K750 - Rm610



pag. 64

880-881  
K750 - Rm860/750/1000



pag. 65

882-8857  
K750 - Rm610



pag. 66

882-8857  
K750 - Rm750



pag. 67

882-8857  
K750 - Rm860



pag. 68

882-8857  
K750 - Rm1000



pag. 69

882-8857  
K1000 - Rm860



pag. 70

882-8857  
K1200 - Rm860



pag. 71

LBP 882  
K750 - Rm860



pag. 72

LBP 882  
K1000 - Rm860



pag. 73

LBP 882  
K1200 - Rm860



pag. 74

250M-260M



pag. 75

251M



pag. 76

Curve Tab / Tab curves / Tab Kurven

880-881  
K325 - K450 - K750



pag. 77

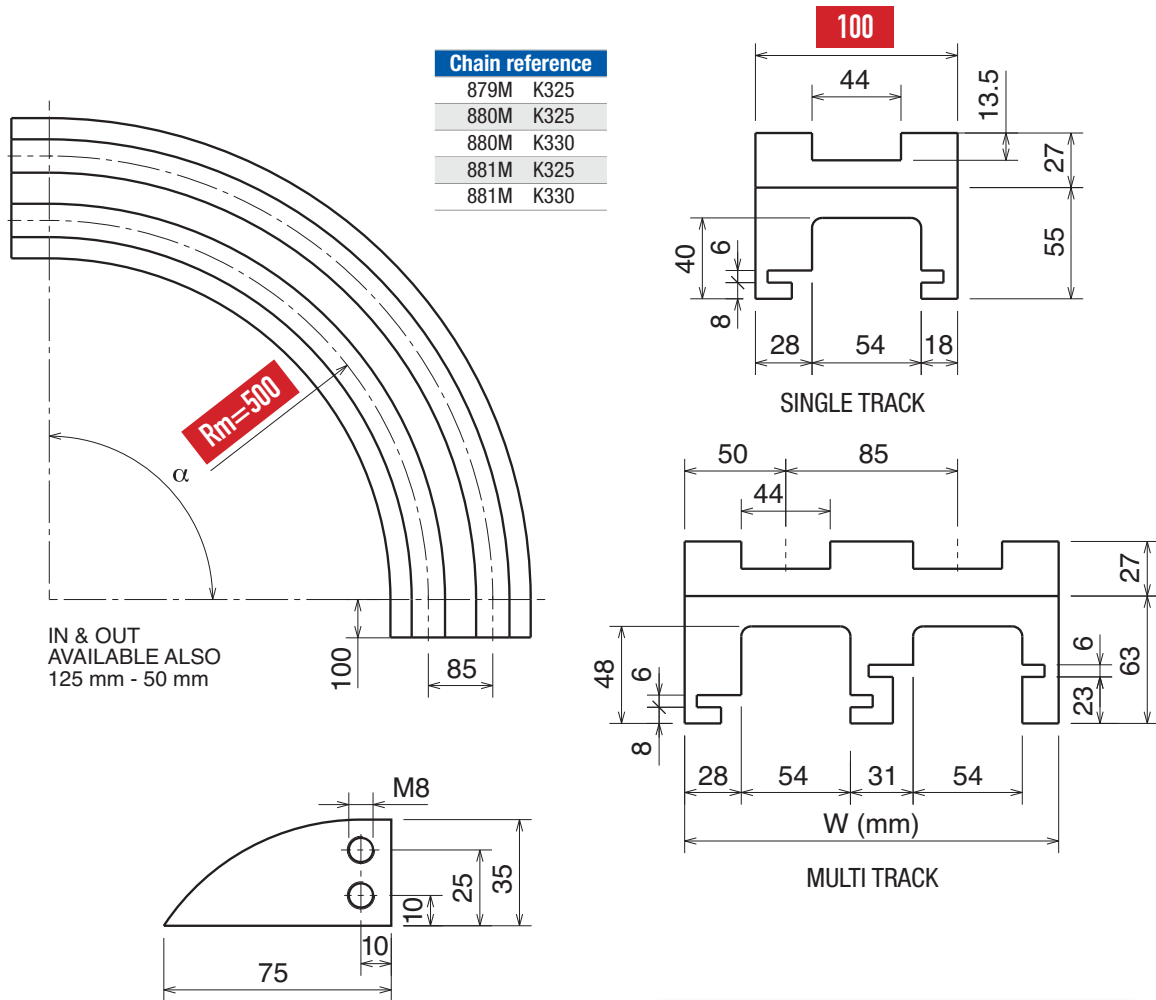
882  
K750 - K1000 - K1200



pag. 78

tab & magnetic corner tracks

Curva Larghezza Base = 100 mm; Passo = 85 mm / Curve Basic Width = 100 mm; Pitch = 85 mm / Kurve Basisbreite = 100 mm; Teilung = 85 mm



## Magnetic System

Upper part available, on request, also in **BluLub**  and for abrasive applications.



Part	$\alpha 15^\circ$	$\alpha 30^\circ$	$\alpha 45^\circ$	$\alpha 60^\circ$	$\alpha 75^\circ$	$\alpha 90^\circ$	Tracks	W
701	70111114	70111214	70111314	70111414	70111514	70111614	1	100
701	70111124	70111224	70111324	70111424	70111524	70111624	2	185
701	70111134	70111234	70111334	70111434	70111534	70111634	3	270
701	70111144	70111244	70111344	70111444	70111544	70111644	4	355
701	70111154	70111254	70111354	70111454	70111554	70111654	5	440
701	70111164	70111264	70111364	70111464	70111564	70111664	6	525
701	70111174	70111274	70111374	70111474	70111574	70111674	7	610
701	70111184	70111284	70111384	70111484	70111584	70111684	8	695

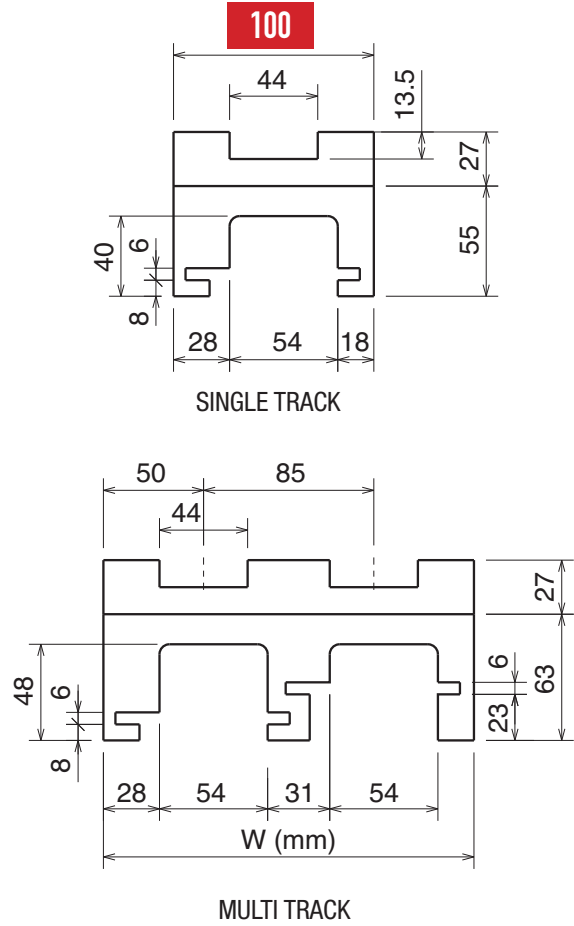
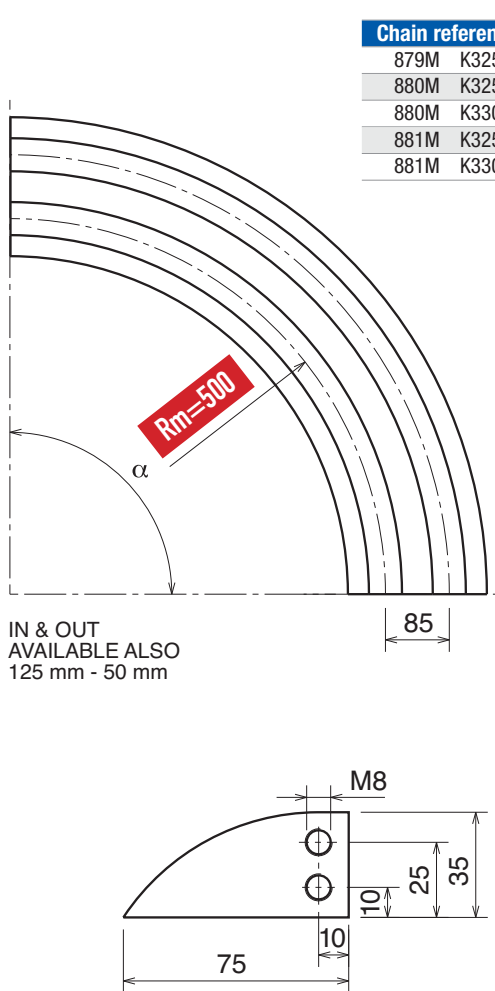


Part	$\alpha 15^\circ$	$\alpha 30^\circ$	$\alpha 45^\circ$	$\alpha 60^\circ$	$\alpha 75^\circ$	$\alpha 90^\circ$	Tracks	W
701	70111114RS	70111214RS	70111314RS	70111414RS	70111514RS	70111614RS	1	100
701	70111124RS	70111224RS	70111324RS	70111424RS	70111524RS	70111624RS	2	185
701	70111134RS	70111234RS	70111334RS	70111434RS	70111534RS	70111634RS	3	270
701	70111144RS	70111244RS	70111344RS	70111444RS	70111544RS	70111644RS	4	355
701	70111154RS	70111254RS	70111354RS	70111454RS	70111554RS	70111654RS	5	440
701	70111164RS	70111264RS	70111364RS	70111464RS	70111564RS	70111664RS	6	525
701	70111174RS	70111274RS	70111374RS	70111474RS	70111574RS	70111674RS	7	610
701	70111184RS	70111284RS	70111384RS	70111484RS	70111584RS	70111684RS	8	695



Materiale:	Material:	Materialien:
Polietilene UHMW-PE	Polyethylene UHMW-PE	Polyäthylen UHMW-PE

Curva Larghezza Base = 100 mm; Passo = 85 mm / Curve Basic Width = 100 mm; Pitch = 85 mm / Kurve Basisbreite = 100 mm; Teilung = 85 mm

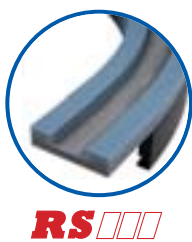


## MOVEX Magnetic System

Upper part available, on request, also in **BluLub** and for abrasive applications.

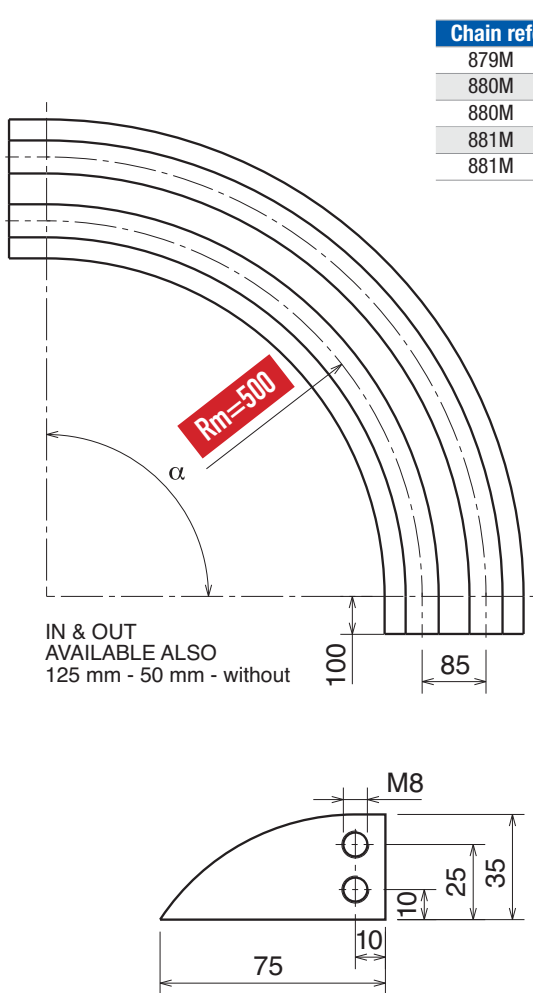


Part	$\alpha$ 15°	$\alpha$ 30°	$\alpha$ 45°	$\alpha$ 60°	$\alpha$ 75°	$\alpha$ 90°	Tracks	W
701	70111110	70111210	70111310	70111410	70111510	70111610	1	100
701	70111120	70111220	70111320	70111420	70111520	70111620	2	185
701	70111130	70111230	70111330	70111430	70111530	70111630	3	270
701	70111140	70111240	70111340	70111440	70111540	70111640	4	355
701	70111150	70111250	70111350	70111450	70111550	70111650	5	440
701	70111160	70111260	70111360	70111460	70111560	70111660	6	525
701	70111170	70111270	70111370	70111470	70111570	70111670	7	610
701	70111180	70111280	70111380	70111480	70111580	70111680	8	695

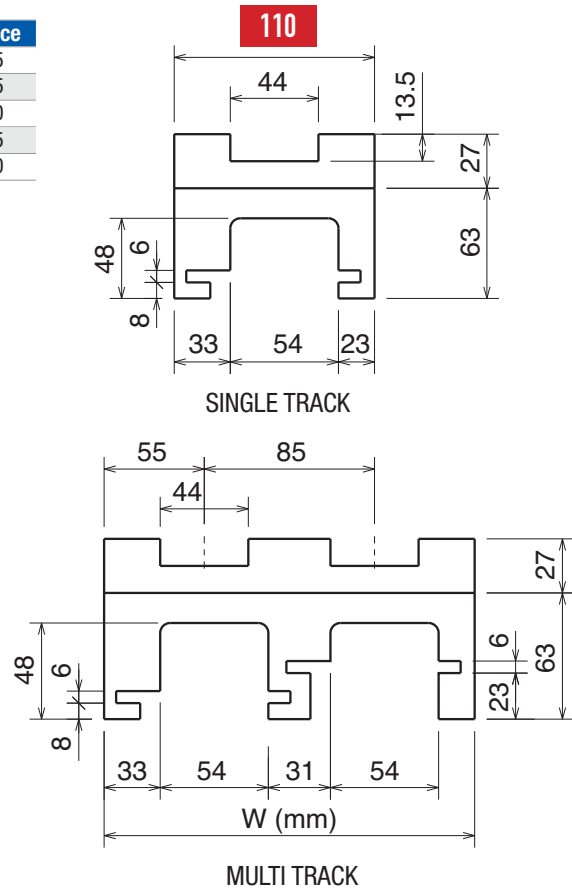


Part	$\alpha$ 15°	$\alpha$ 30°	$\alpha$ 45°	$\alpha$ 60°	$\alpha$ 75°	$\alpha$ 90°	Tracks	W
701	70111110RS	70111210RS	70111310RS	70111410RS	70111510RS	70111610RS	1	100
701	70111120RS	70111220RS	70111320RS	70111420RS	70111520RS	70111620RS	2	185
701	70111130RS	70111230RS	70111330RS	70111430RS	70111530RS	70111630RS	3	270
701	70111140RS	70111240RS	70111340RS	70111440RS	70111540RS	70111640RS	4	355
701	70111150RS	70111250RS	70111350RS	70111450RS	70111550RS	70111650RS	5	440
701	70111160RS	70111260RS	70111360RS	70111460RS	70111560RS	70111660RS	6	525
701	70111170RS	70111270RS	70111370RS	70111470RS	70111570RS	70111670RS	7	610
701	70111180RS	70111280RS	70111380RS	70111480RS	70111580RS	70111680RS	8	695

Curva Larghezza Base = 110 mm; Passo = 85 mm / Curve Basic Width = 110 mm; Pitch = 85 mm / Kurve Basisbreite = 110 mm; Teilung = 85 mm



Chain reference	
879M	K325
880M	K325
880M	K330
881M	K325
881M	K330

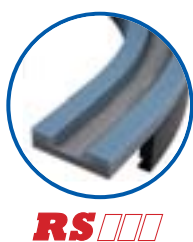


## Magnetic System

Upper part available, on request, also in **BluLub**  Movex Enhanced-Performance UHMW-PE and for abrasive applications.



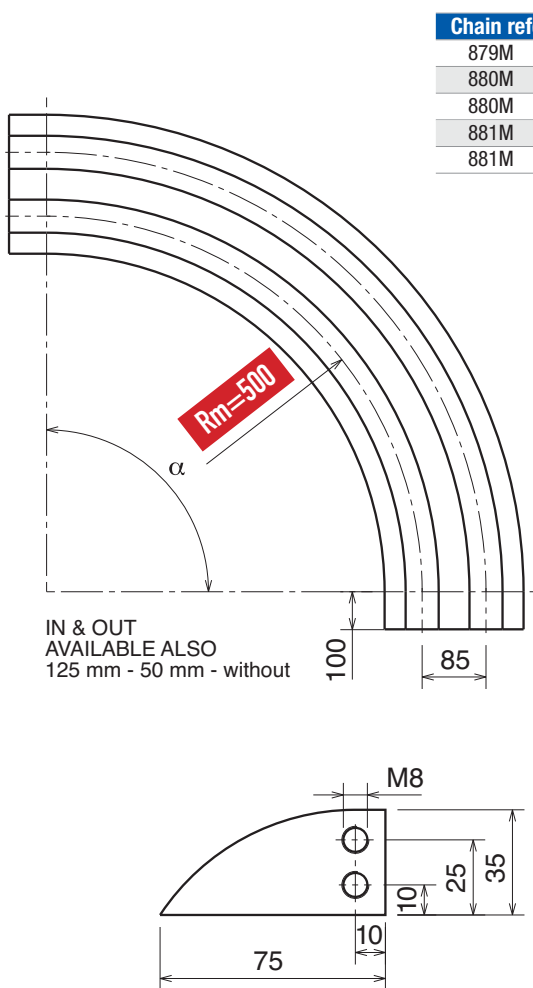
Part	$\alpha$ 15°	$\alpha$ 30°	$\alpha$ 45°	$\alpha$ 60°	$\alpha$ 75°	$\alpha$ 90°	Tracks	W
711	71111114	71111214	71111314	71111414	71111514	71111614	1	110
711	71111124	71111224	71111324	71111424	71111524	71111624	2	195
711	71111134	71111234	71111334	71111434	71111534	71111634	3	280
711	71111144	71111244	71111344	71111444	71111544	71111644	4	365
711	71111154	71111254	71111354	71111454	71111554	71111654	5	450
711	71111164	71111264	71111364	71111464	71111564	71111664	6	535
711	71111174	71111274	71111374	71111474	71111574	71111674	7	620
711	71111184	71111284	71111384	71111484	71111584	71111684	8	705



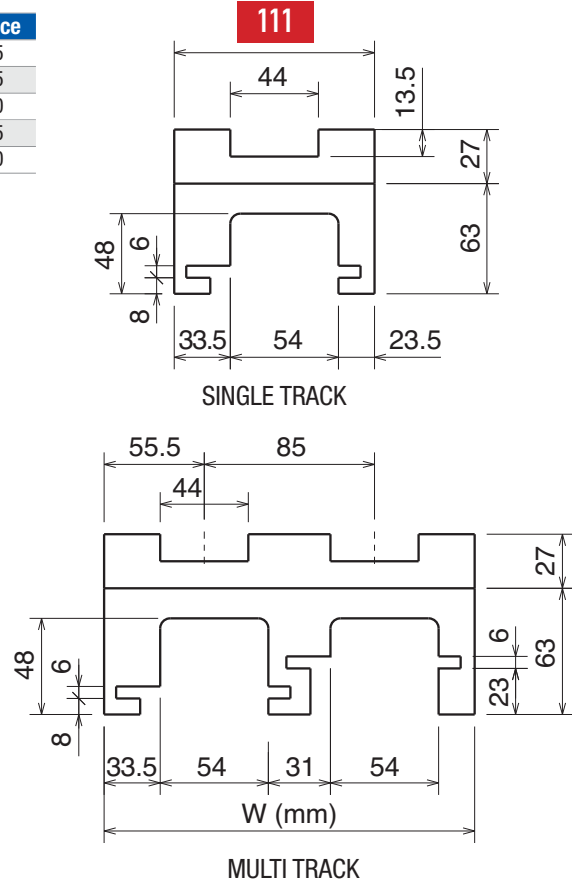
Part	$\alpha$ 15°	$\alpha$ 30°	$\alpha$ 45°	$\alpha$ 60°	$\alpha$ 75°	$\alpha$ 90°	Tracks	W
711	7111114RS	71111214RS	71111314RS	71111414RS	71111514RS	71111614RS	1	110
711	71111124RS	71111224RS	71111324RS	71111424RS	71111524RS	71111624RS	2	195
711	71111134RS	71111234RS	71111334RS	71111434RS	71111534RS	71111634RS	3	280
711	71111144RS	71111244RS	71111344RS	71111444RS	71111544RS	71111644RS	4	365
711	71111154RS	71111254RS	71111354RS	71111454RS	71111554RS	71111654RS	5	450
711	71111164RS	71111264RS	71111364RS	71111464RS	71111564RS	71111664RS	6	535
711	71111174RS	71111274RS	71111374RS	71111474RS	71111574RS	71111674RS	7	620
711	71111184RS	71111284RS	71111384RS	71111484RS	71111584RS	71111684RS	8	705

Materiale:	Material:	Materialien:
Polietilene UHMW-PE	Polyethylene UHMW-PE	Polyäthylen UHMW-PE

Curva Larghezza Base = 111 mm; Passo = 85 mm / Curve Basic Width = 111 mm; Pitch = 85 mm / Kurve Basisbreite = 111 mm; Teilung = 85 mm



Chain reference	
879M	K325
880M	K325
880M	K330
881M	K325
881M	K330



## MOVEX Magnetic System

Upper part available, on request, also in **BluLub** and for abrasive applications.

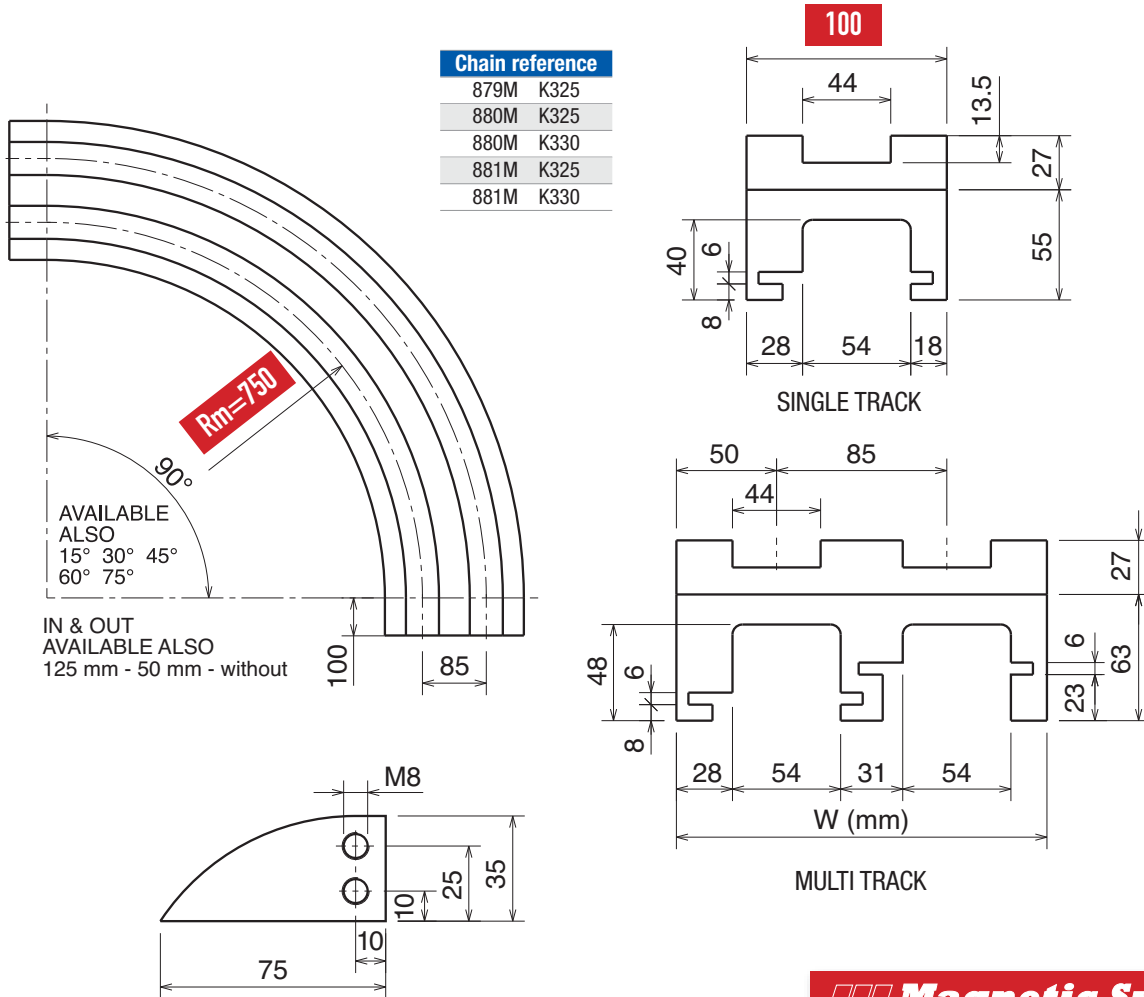


Part	$\alpha$ 15°	$\alpha$ 30°	$\alpha$ 45°	$\alpha$ 60°	$\alpha$ 75°	$\alpha$ 90°	Tracks	W
712	71211114	71211214	71211314	71211414	71211514	71211614	1	111
712	71211124	71211224	71211324	71211424	71211524	71211624	2	196
712	71211134	71211234	71211334	71211434	71211534	71211634	3	281
712	71211144	71211244	71211344	71211444	71211544	71211644	4	366
712	71211154	71211254	71211354	71211454	71211554	71211654	5	451
712	71211164	71211264	71211364	71211464	71211564	71211664	6	536
712	71211174	71211274	71211374	71211474	71211574	71211674	7	621
712	71211184	71211284	71211384	71211484	71211584	71211684	8	706



Part	$\alpha$ 15°	$\alpha$ 30°	$\alpha$ 45°	$\alpha$ 60°	$\alpha$ 75°	$\alpha$ 90°	Tracks	W
712	7121114RS	71211214RS	71211314RS	71211414RS	71211514RS	71211614RS	1	111
712	71211124RS	71211224RS	71211324RS	71211424RS	71211524RS	71211624RS	2	196
712	71211134RS	71211234RS	71211334RS	71211434RS	71211534RS	71211634RS	3	281
712	71211144RS	71211244RS	71211344RS	71211444RS	71211544RS	71211644RS	4	366
712	71211154RS	71211254RS	71211354RS	71211454RS	71211554RS	71211654RS	5	451
712	71211164RS	71211264RS	71211364RS	71211464RS	71211564RS	71211664RS	6	536
712	71211174RS	71211274RS	71211374RS	71211474RS	71211574RS	71211674RS	7	621
712	71211184RS	71211284RS	71211384RS	71211484RS	71211584RS	71211684RS	8	706

Curva Larghezza Base = 100 mm; Passo = 85 mm / Curve Basic Width = 100 mm; Pitch = 85 mm / Kurve Basisbreite = 100 mm; Teilung = 85 mm



## Magnetic System

Upper part available, on request, also in **BluLub**  and for abrasive applications.

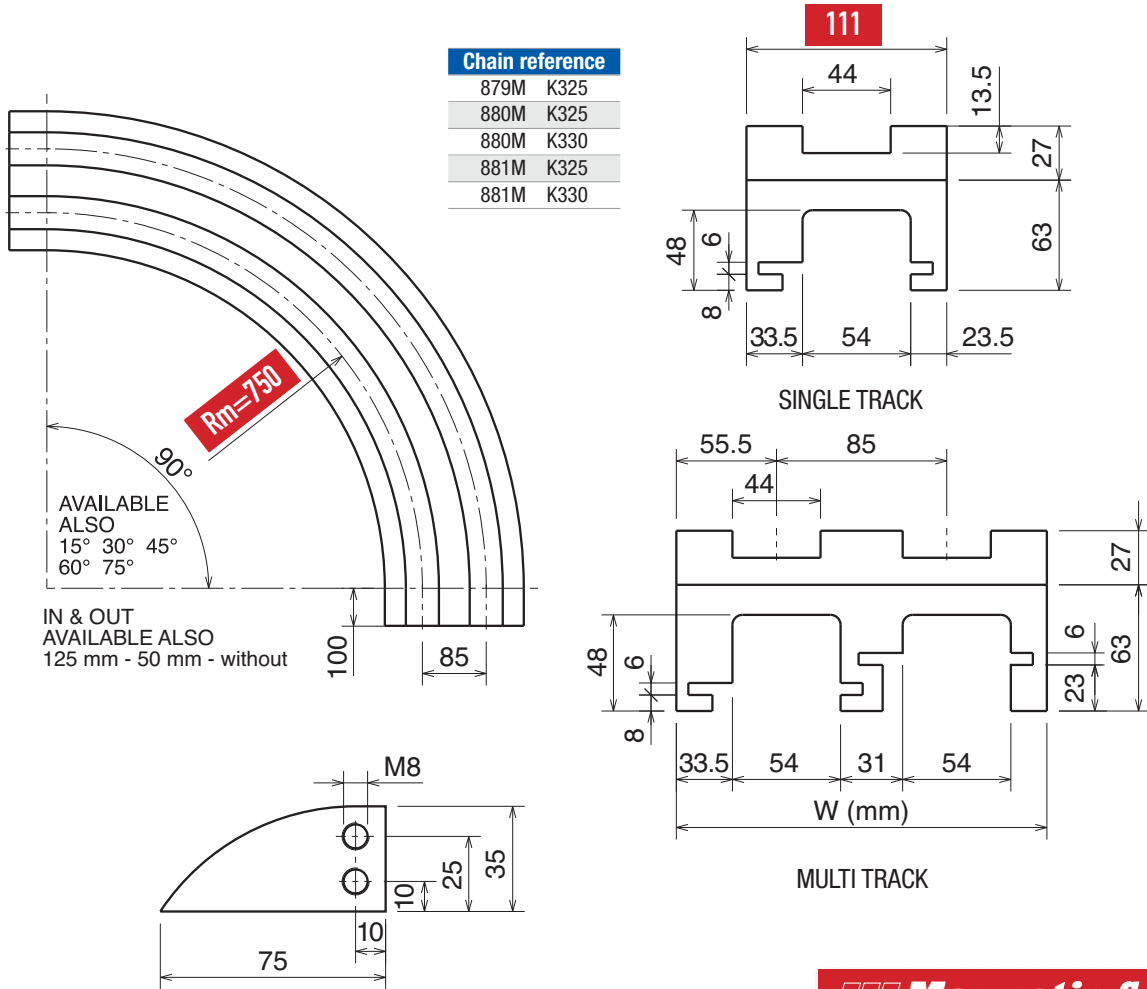


Part	Article-Nr.	Tracks	W
702	70216614	1	100
702	70216624	2	185
702	70216634	3	270
702	70216644	4	355
702	70216654	5	440
702	70216664	6	525
702	70216674	7	610
702	70216684	8	695

Part	Article-Nr.	Tracks	W
702	70216614RS	1	100
702	70216624RS	2	185
702	70216634RS	3	270
702	70216644RS	4	355
702	70216654RS	5	440
702	70216664RS	6	525
702	70216674RS	7	610
702	70216684RS	8	695

Materiale:	Material:	Materialien:
Polietilene UHMW-PE	Polyethylene UHMW-PE	Polyäthylen UHMW-PE

Curva Larghezza Base = 111 mm; Passo = 85 mm / Curve Basic Width = 111 mm; Pitch = 85 mm / Kurve Basisbreite = 111 mm; Teilung = 85 mm



Chain reference	
879M	K325
880M	K325
880M	K330
881M	K325
881M	K330

## Magnetic System

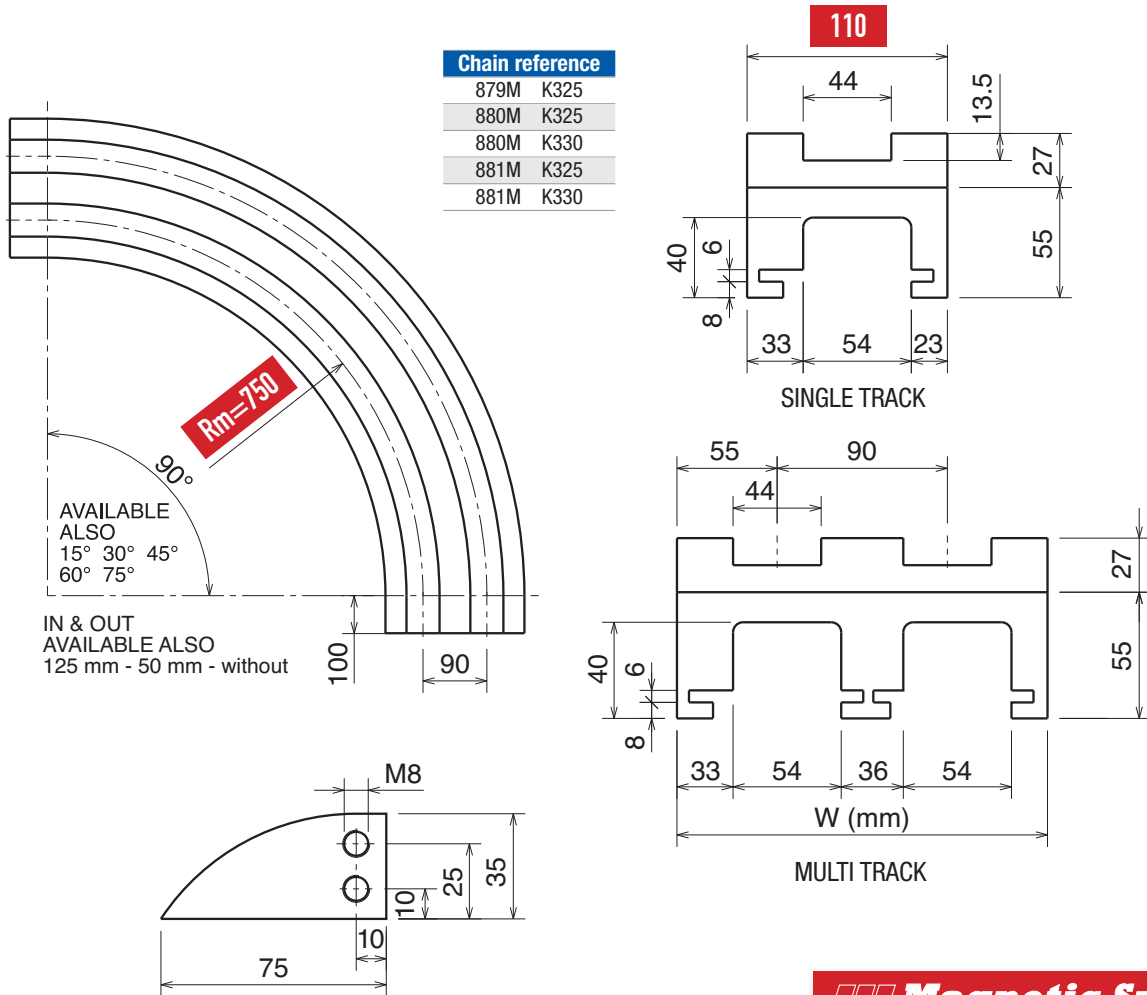
Upper part available, on request, also in **BluLub** Movex Enhanced-Performance UHMW-PE and for abrasive applications.



Part	Article-Nr.	Tracks	W
713	71316614	1	111
713	71316624	2	196
713	71316634	3	281
713	71316644	4	366
713	71316654	5	451
713	71316664	6	536
713	71316674	7	621
713	71316684	8	706

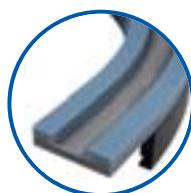
Part	Article-Nr.	Tracks	W
713	71316614RS	1	111
713	71316624RS	2	196
713	71316634RS	3	281
713	71316644RS	4	366
713	71316654RS	5	451
713	71316664RS	6	536
713	71316674RS	7	621
713	71316684RS	8	706

Curva Larghezza Base = 110 mm; Passo = 90 mm / Curve Basic Width = 110 mm; Pitch = 90 mm / Kurve Basisbreite = 110 mm; Teilung = 90 mm



## Magnetic System

Upper part available, on request,  
also in **BluLub**   
Movex Enhanced-Performance UHMW-PE  
and for abrasive applications.



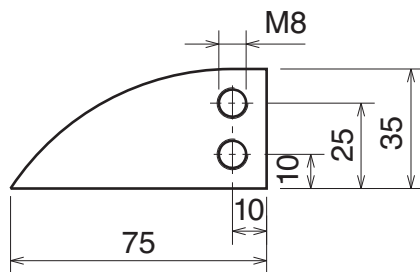
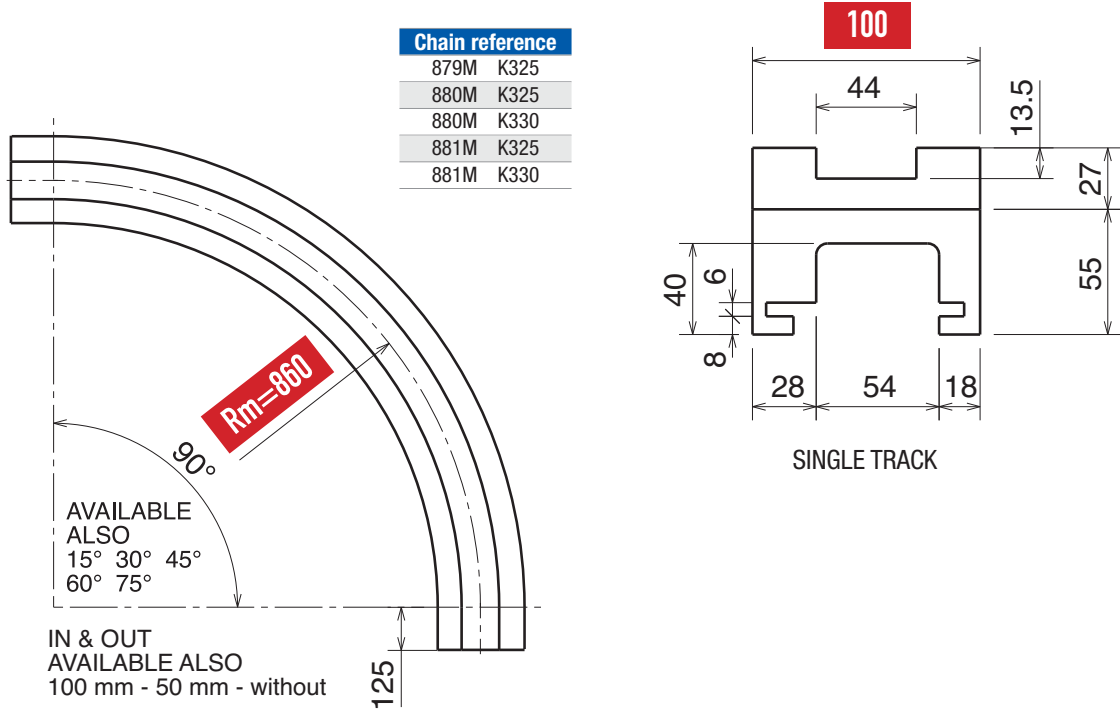
**RS** 

Part	Article-Nr.	Tracks	W
714	71416614	1	110
714	71416624	2	200
714	71416634	3	290
714	71416644	4	380
714	71416654	5	470
714	71416664	6	560
714	71416674	7	650
714	71416684	8	740

Part	Article-Nr.	Tracks	W
714	71416614RS	1	110
714	71416624RS	2	200
714	71416634RS	3	290
714	71416644RS	4	380
714	71416654RS	5	470
714	71416664RS	6	560
714	71416674RS	7	650
714	71416684RS	8	740

Materiale:	Material:	Materialien:
Polietilene UHMW-PE	Polyethylene UHMW-PE	Polyäthylen UHMW-PE

Curva Larghezza Base = 100 mm; Passo = 85 mm / Curve Basic Width = 100 mm; Pitch = 85 mm / Kurve Basisbreite = 100 mm; Teilung = 85 mm



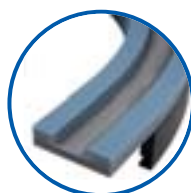
## □□□ Magnetic System

Upper part available, on request,  
also in **BluLub** □□□  
Movex Enhanced-Performance UHMW-PE  
and for abrasive applications.



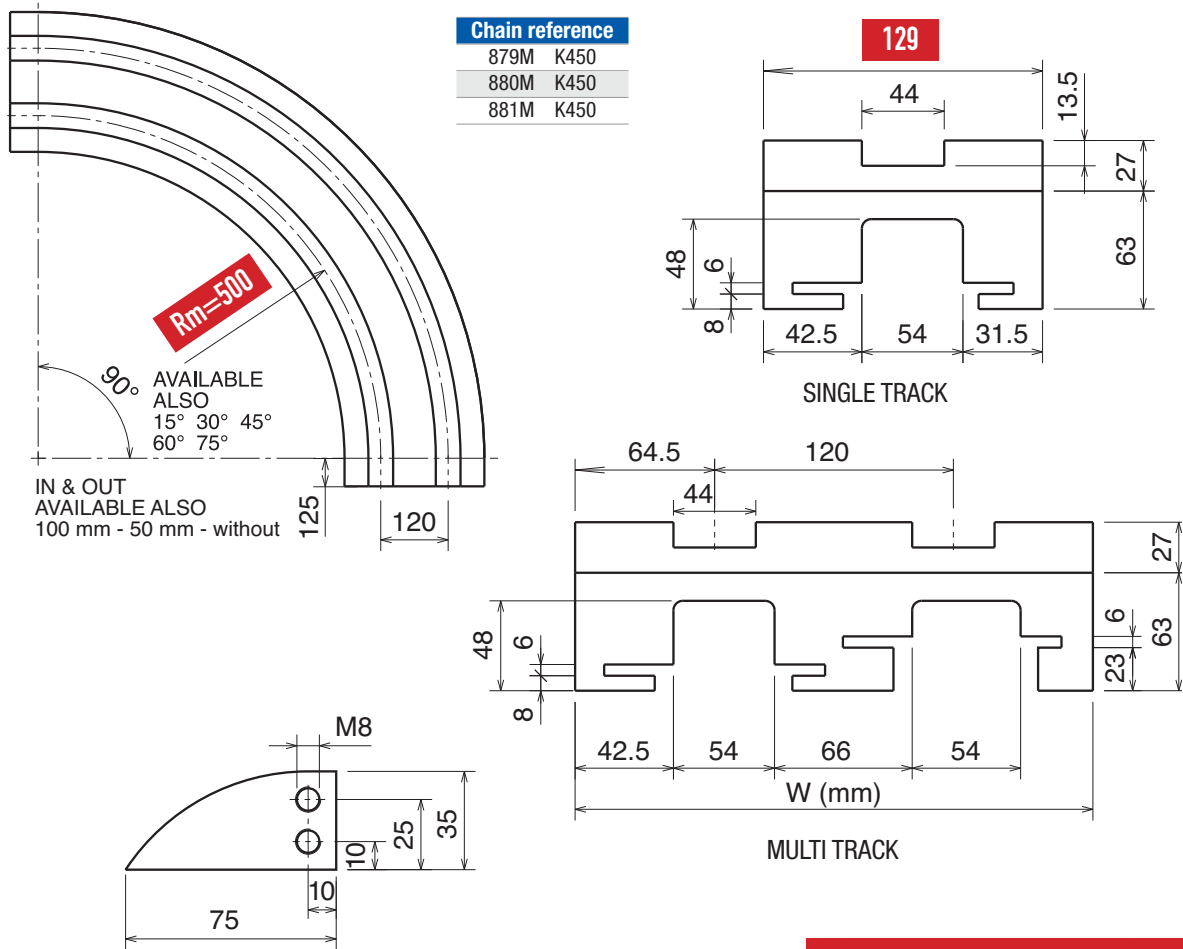
Part	Article-Nr.	Tracks	W
703	70318615	1	100

Part	Article-Nr.	Tracks	W
703	70318615RS	1	100



**RS** □□□

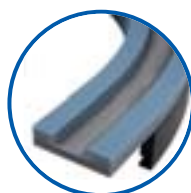
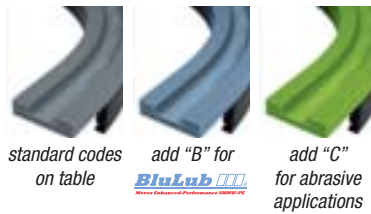
Curva Larghezza Base = 129 mm; Passo = 120 mm / Curve Basic Width = 129 mm; Pitch = 120 mm / Kurve Basisbreite = 129 mm; Teilung = 120 mm



Chain reference	
879M	K450
880M	K450
881M	K450

### ▣▣▣ Magnetic System

Upper part available, on request,  
also in **BluLub**   
Movex Enhanced-Performance UHMW-PE  
and for abrasive applications.



**RS** 

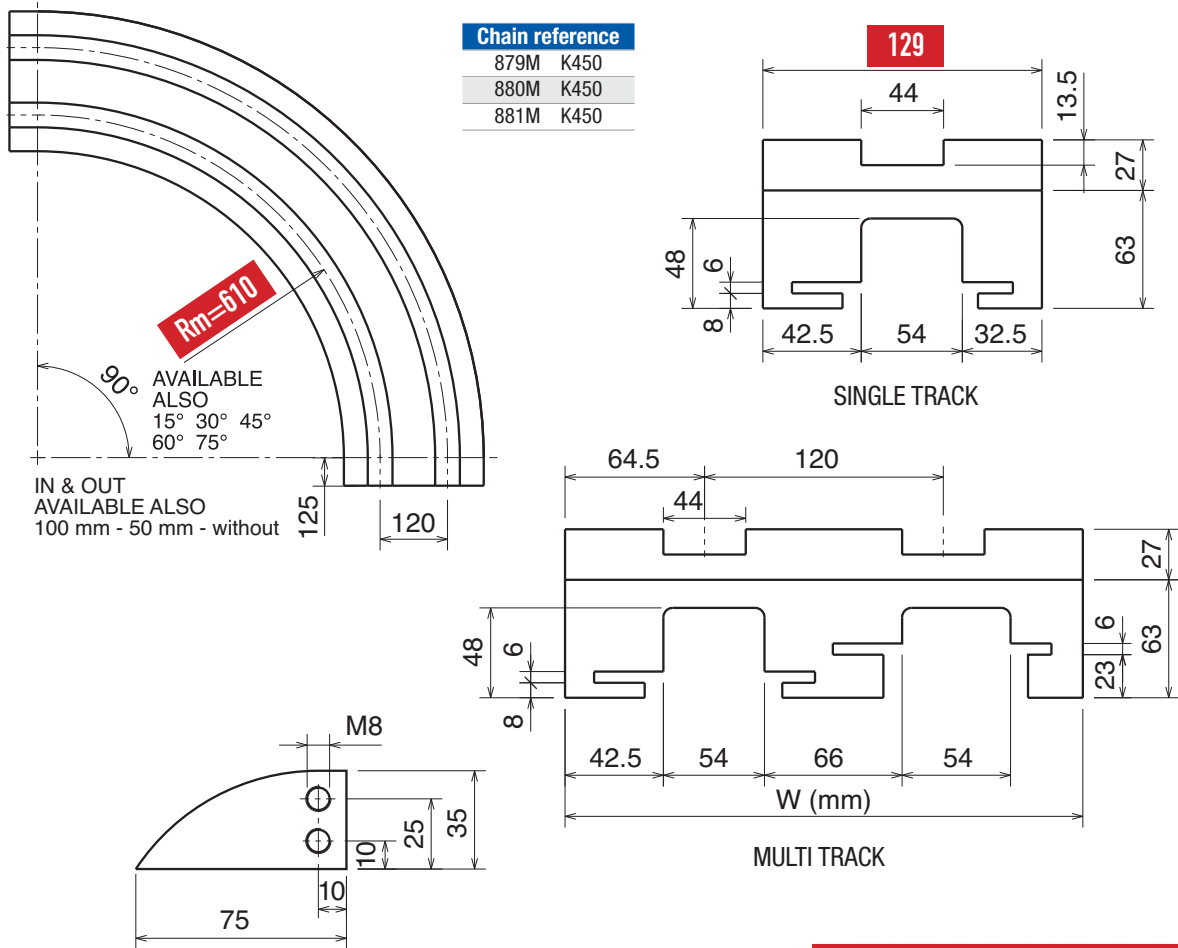
Part	Article-Nr.	Tracks	W
715	71511615	1	129
715	71511625	2	249
715	71511635	3	369
715	71511645	4	489
715	71511655	5	609

Part	Article-Nr.	Tracks	W
715	71511615RS	1	129
715	71511625RS	2	249
715	71511635RS	3	369
715	71511645RS	4	489
715	71511655RS	5	609



<b>Materiale:</b>	<b>Material:</b>	<b>Materialien:</b>
Polietilene UHMW-PE	Polyethylene UHMW-PE	Polyäthylen UHMW-PE

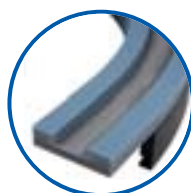
Curva Larghezza Base = 129 mm; Passo = 120 mm / Curve Basic Width = 129 mm; Pitch = 120 mm / Kurve Basisbreite = 129 mm; Teilung = 120 mm



Chain reference	
879M	K450
880M	K450
881M	K450

## □□□ Magnetic System

Upper part available, on request,  
also in **BluLub** □□□  
Movex Enhanced-Performance UHMW-PE  
and for abrasive applications.

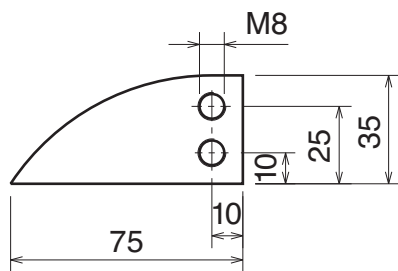
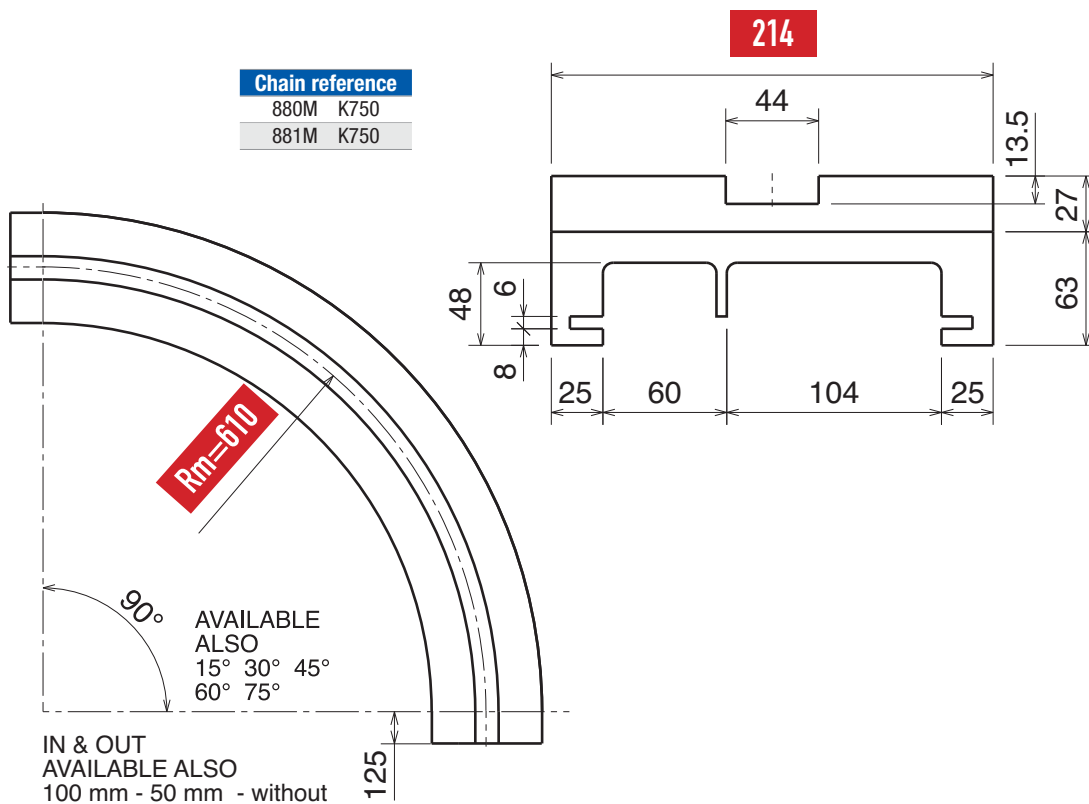


**RS** □□□

Part	Article-Nr.	Tracks	W
704	70413615	1	129
704	70413625	2	249
704	70413635	3	369
704	70413645	4	489
704	70413655	5	609

Part	Article-Nr.	Tracks	W
704	70413615RS	1	129
704	70413625RS	2	249
704	70413635RS	3	369
704	70413645RS	4	489
704	70413655RS	5	609

Curva Larghezza Base = 214 mm / Curve Basic Width = 214 mm / Kurve Basisbreite = 214 mm

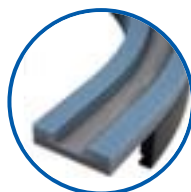
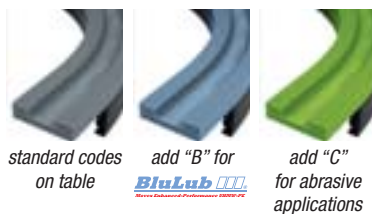


## Magnetic System

Part	Article-Nr.	Tracks	W
716	71613615	1	214

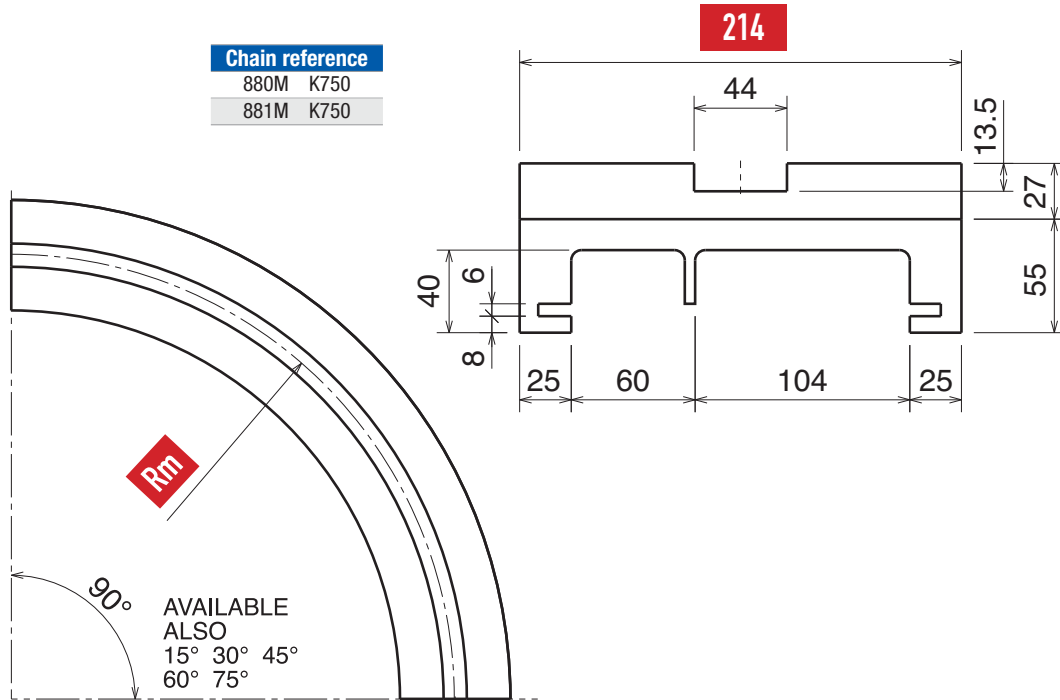
Part	Article-Nr.	Tracks	W
716	71613615RS	1	214

Upper part available, on request, also in **BluLub**  and for abrasive applications.



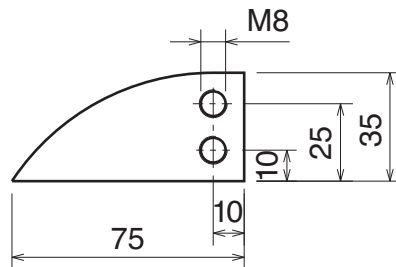
**RS** 

Curva Larghezza Base = 214 mm / Curve Basic Width = 214 mm / Kurve Basisbreite = 214 mm



Chain reference	
880M	K750
881M	K750

IN & OUT  
AVAILABLE ALSO  
125 mm - 100 mm - 50 mm

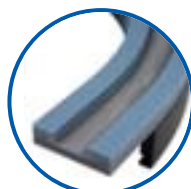
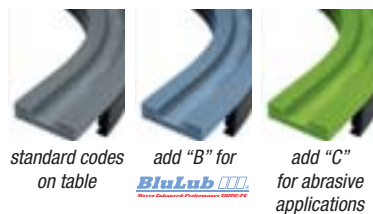


## Magnetic System

Part	Article-Nr.	Tracks	W
707	70716610	1	214 750
707	70718610	1	214 860
707	70719610	1	214 1000

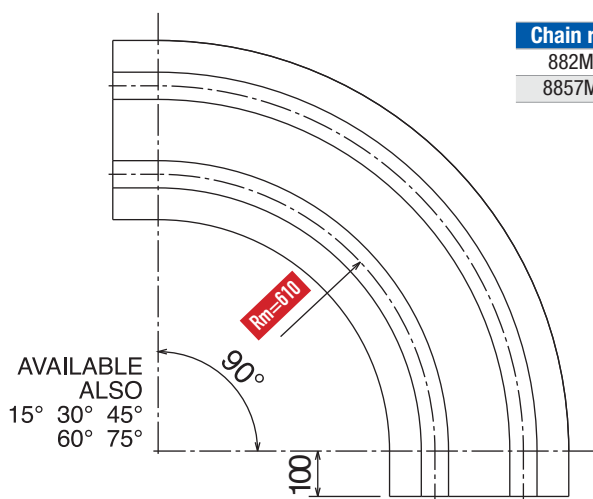
Part	Article-Nr.	Tracks	W
707	70716610RS	1	214 750
707	70718610RS	1	214 860
707	70719610RS	1	214 1000

Upper part available, on request,  
also in **BluLub**   
Movex Enhanced-Performance UHMW-PE  
and for abrasive applications.

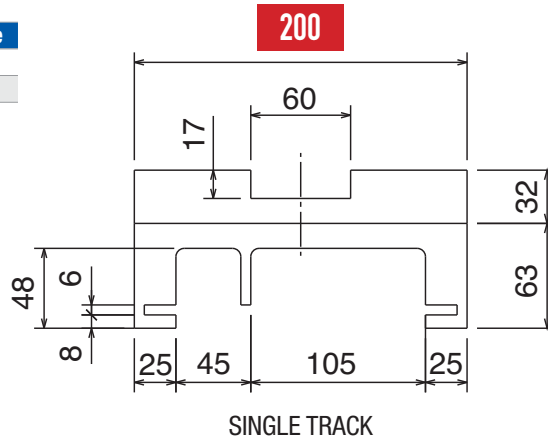


**RS**

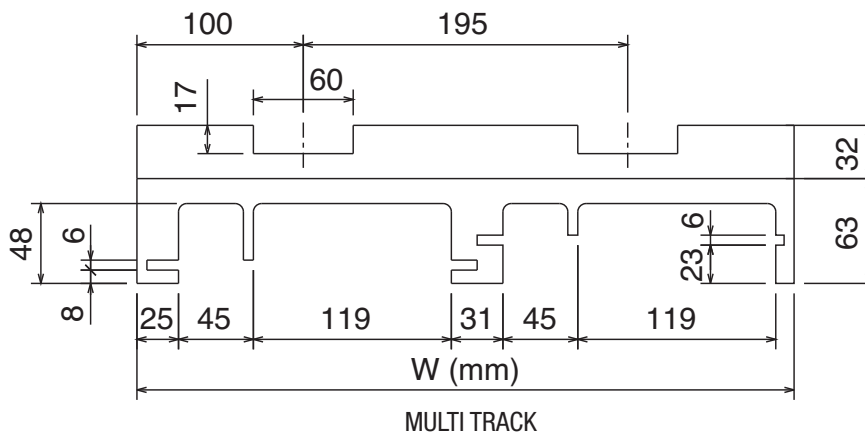
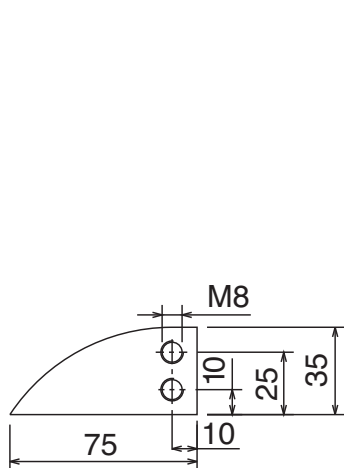
Curva Larghezza Base = 200 mm / Curve Basic Width = 200 mm / Kurve Basisbreite = 200 mm



<b>Chain reference</b>
882M K750
8857M K750

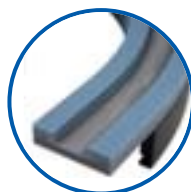


IN & OUT  
AVAILABLE ALSO  
125 mm - 100 mm - without



## Magnetic System

Upper part available, on request,  
also in **BluLub **  
Movex Enhanced-Performance UHMW-PE  
and for abrasive applications.



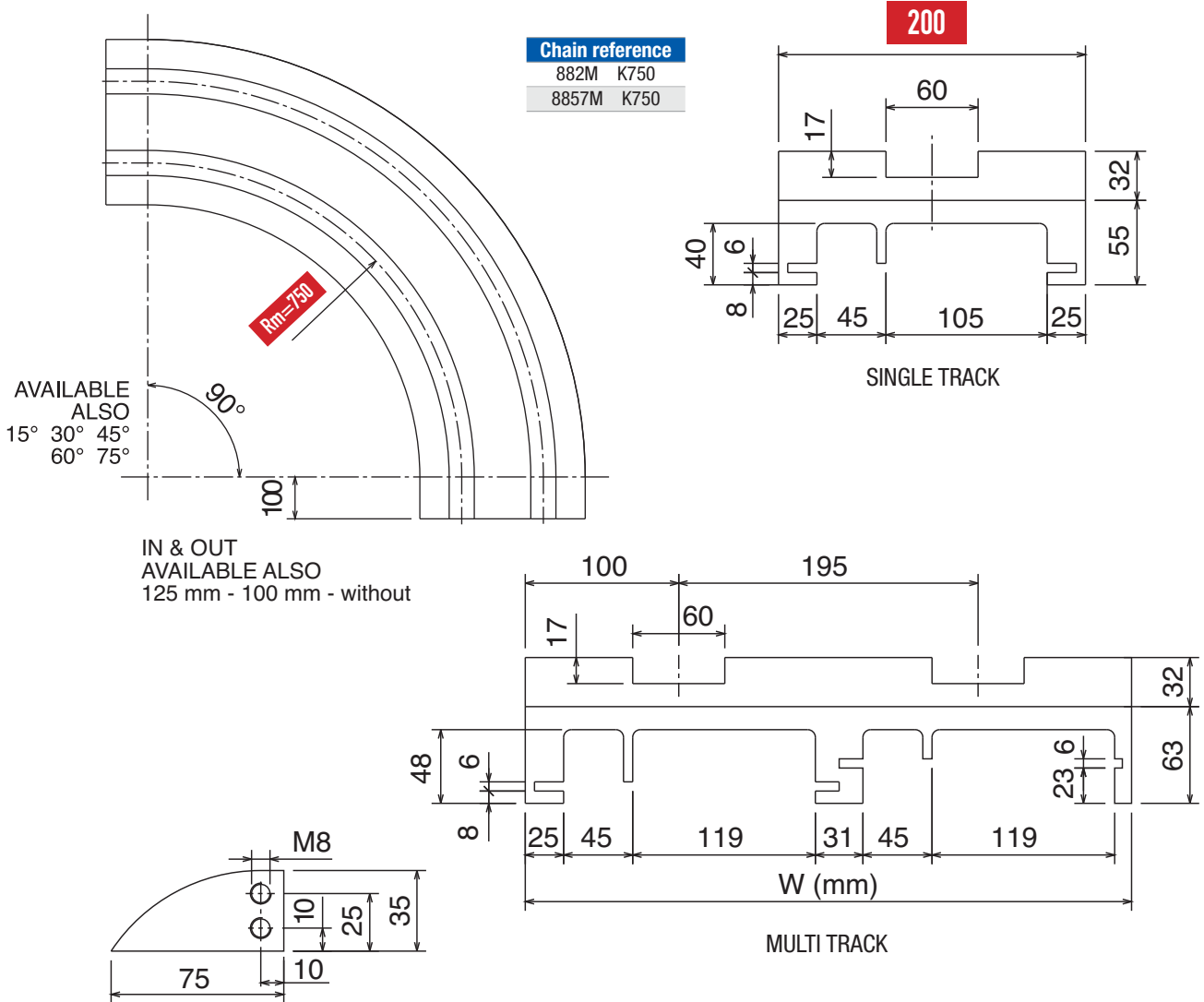
**RS **

Part	Article-Nr.	Tracks	W
717	71713614	1	200
717	71713624	2	395
717	71713634	3	590
717	71713644	4	785

Part	Article-Nr.	Tracks	W
717	71713614RS	1	200
717	71713624RS	2	395
717	71713634RS	3	590
717	71713644RS	4	785

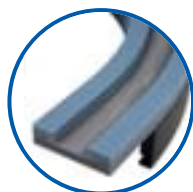
Materiale: Polietilene UHMW-PE    Material: Polyethylene UHMW-PE    Materialien: Polyäthylen UHMW-PE

Curva Larghezza Base = 200 mm / Curve Basic Width = 200 mm / Kurve Basisbreite = 200 mm



## Magnetic System

Upper part available, on request, also in **BluLub** Movex Enhanced-Performance UHMW-PE and for abrasive applications.

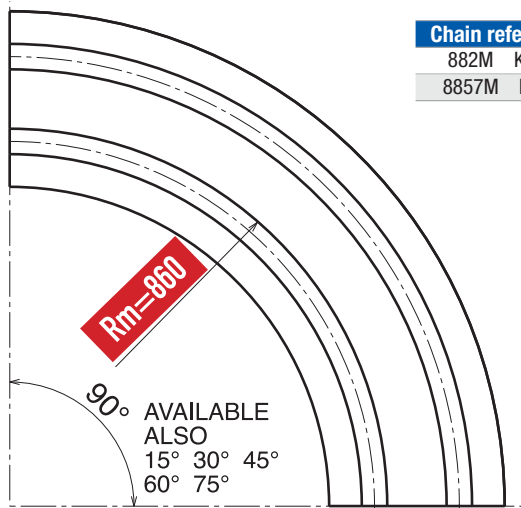


**RS**

Part	Article-Nr.	Tracks	W
718	71816614	1	200
718	71816624	2	395
718	71816634	3	590

Part	Article-Nr.	Tracks	W
718	71816614RS	1	200
718	71816624RS	2	395
718	71816634RS	3	590

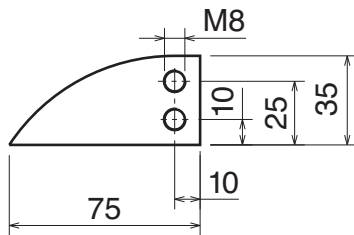
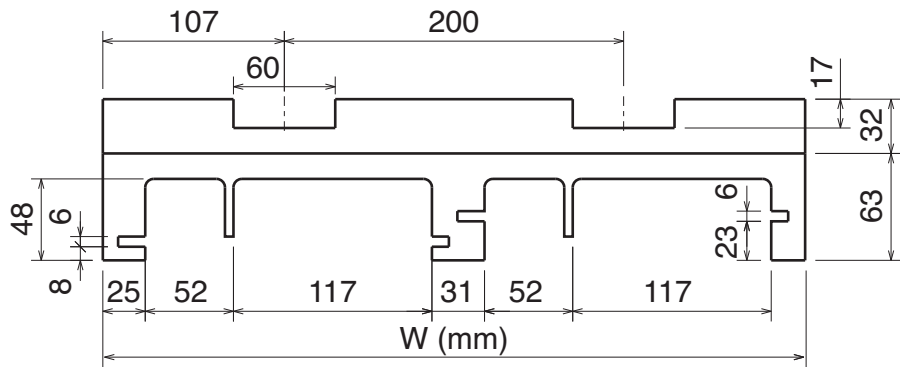
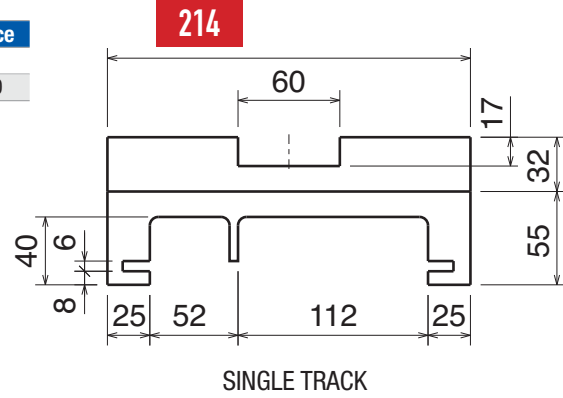
Curva Larghezza Base = 214 mm; Passo = 200 mm / Curve Basic Width = 214 mm; Pitch = 200 mm / Kurve Basisbreite = 214 mm; Teilung = 200 mm



IN & OUT  
AVAILABLE ALSO  
125 mm  
100 mm  
50 mm

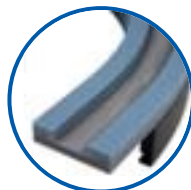
**Chain reference**

882M K750  
8857M K750



** Magnetic System**

Upper part available, on request, also in **BluLub ** Movex Enhanced-Performance UHMW-PE and for abrasive applications.



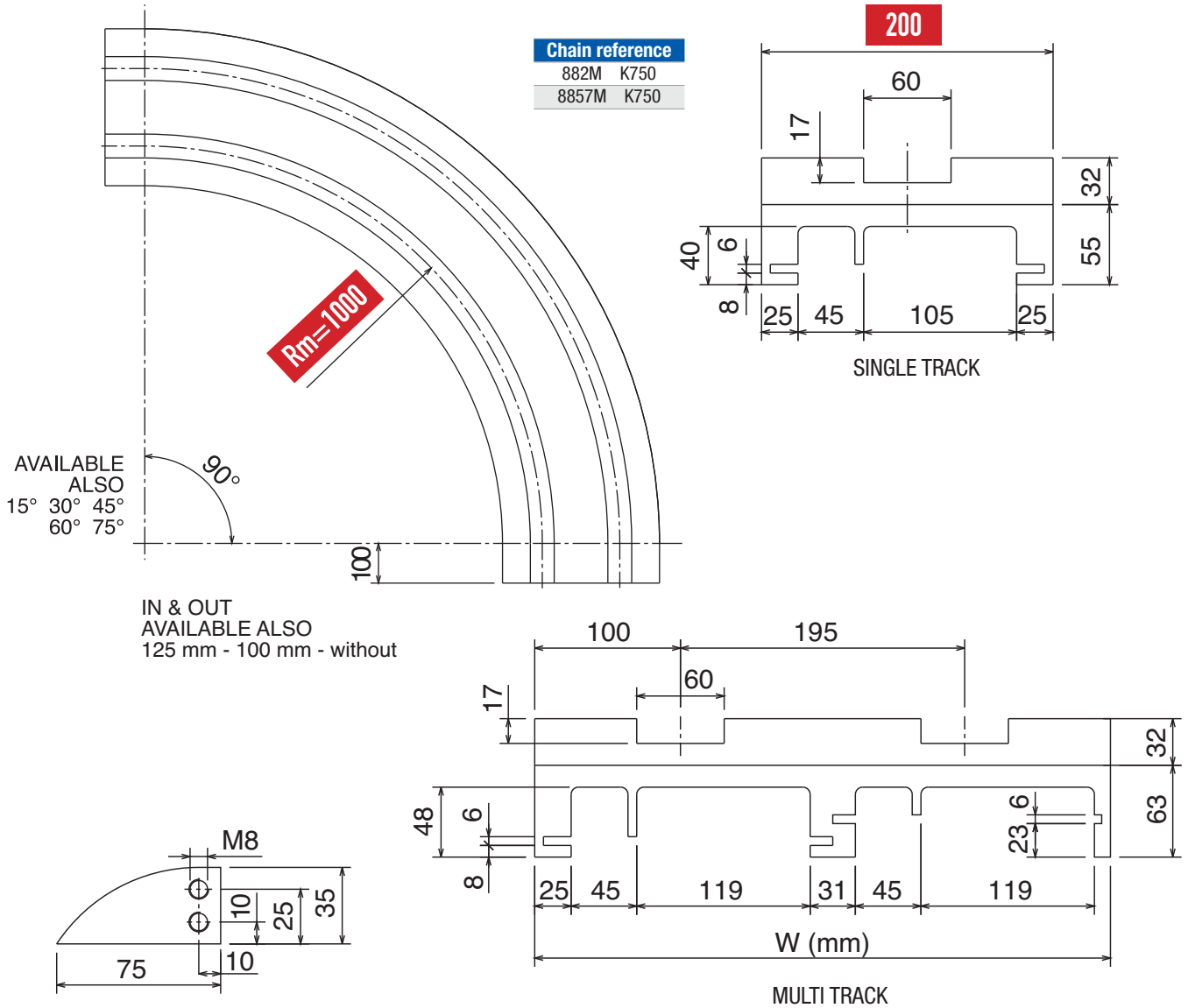
**RS **

Part	Article-Nr.	Tracks	W
708	70818610	1	214
708	70818620	2	410
708	70818630	3	606

Part	Article-Nr.	Tracks	W
708	70818610RS	1	214
708	70818620RS	2	410
708	70818630RS	3	606

Materiale: Polietilene UHMW-PE    Material: Polyethylene UHMW-PE    Materialien: Polyäthylen UHMW-PE

Curva Larghezza Base = 200 mm / Curve Basic Width = 200 mm / Kurve Basisbreite = 200 mm

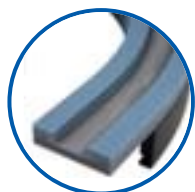


## □□□ Magnetic System

Part	Article-Nr.	Tracks	W
719	71919614	1	200
719	71919624	2	395
719	71919634	3	590

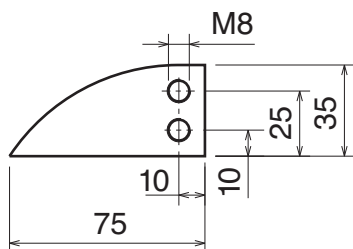
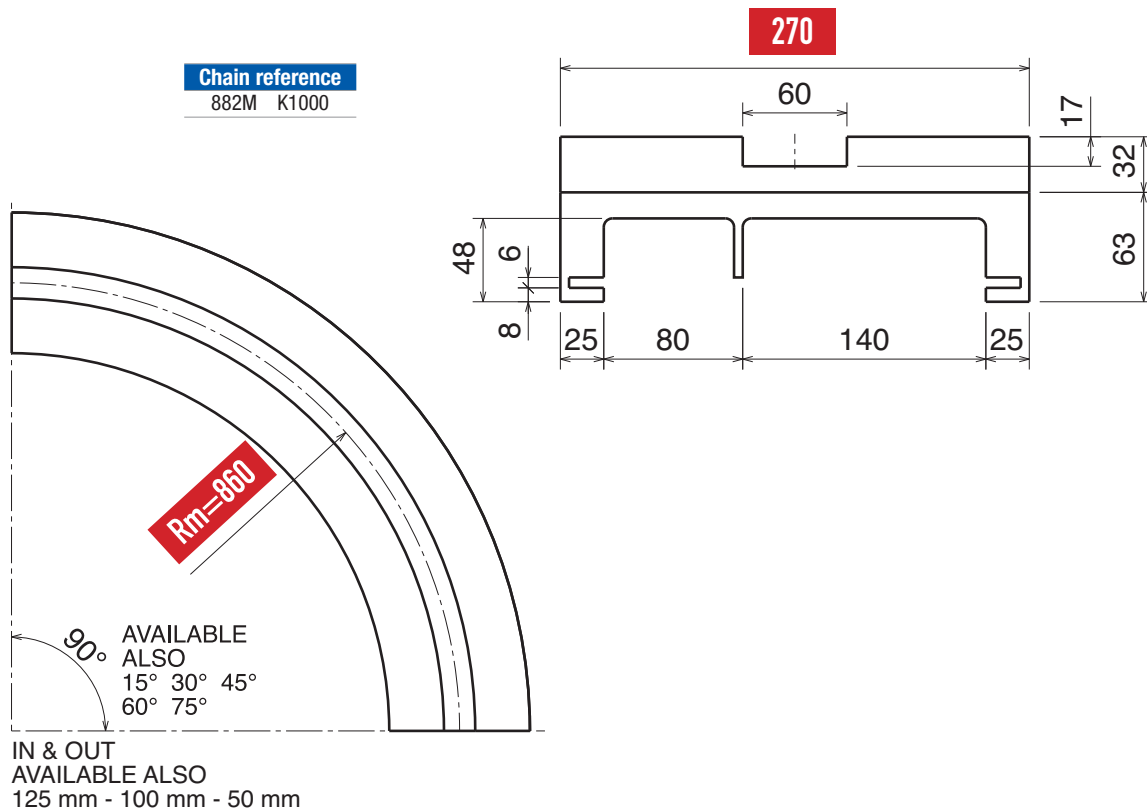
Part	Article-Nr.	Tracks	W
719	71919614RS	1	200
719	71919624RS	2	395
719	71919634RS	3	590

Upper part available, on request, also in **BluLub** Movex Enhanced-Performance UHMW-PE and for abrasive applications.



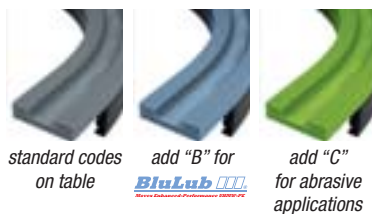
**RS** □□□

Curva Larghezza Base = 270 mm / Curve Basic Width = 270 mm / Kurve Basisbreite = 270 mm



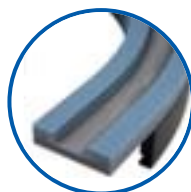
## Magnetic System

Upper part available, on request, also in **BluLub ** Movex Enhanced-Performance UHMW-PE and for abrasive applications.



Part	Article-Nr.	Tracks	W
709	70918610	1	270

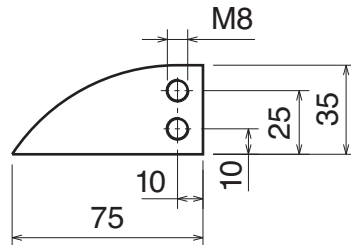
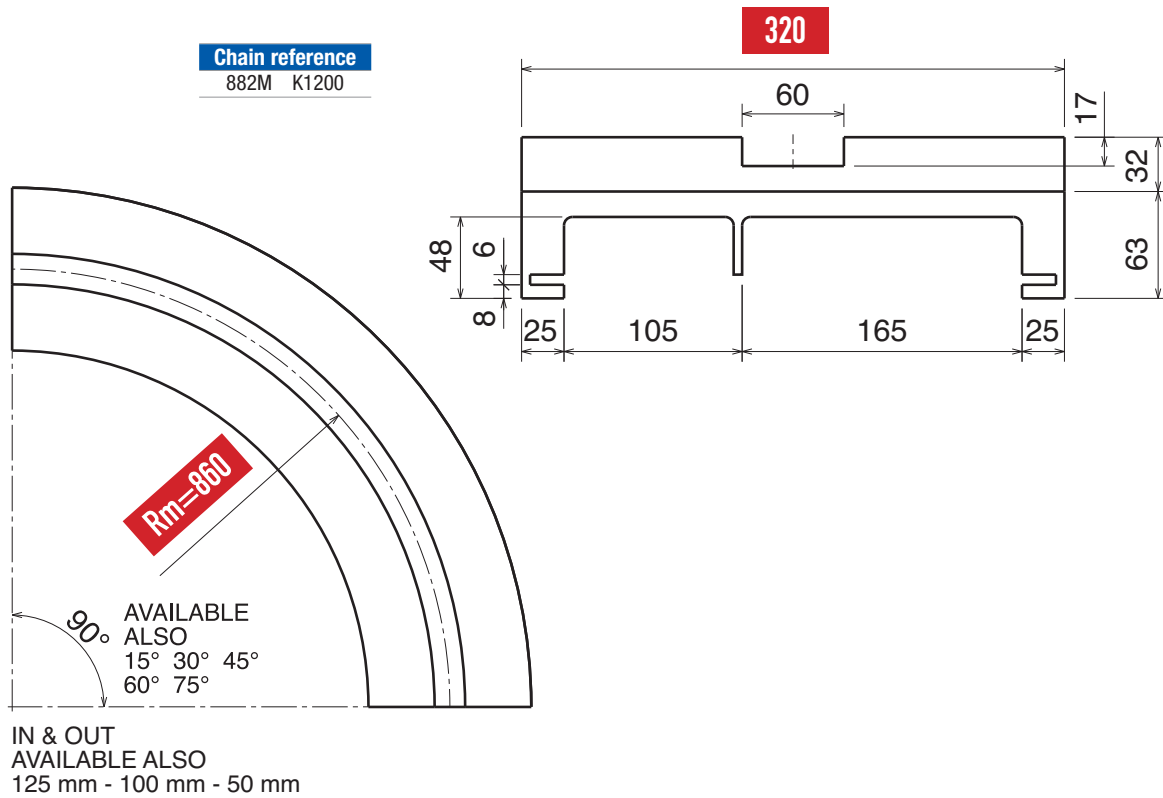
Part	Article-Nr.	Tracks	W
709	70918610RS	1	270



**RS **



Curva Larghezza Base = 320 mm / Curve Basic Width = 320 mm / Kurve Basisbreite = 320 mm



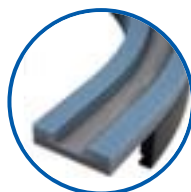
## □□□ Magnetic System

Upper part available, on request, also in **BluLub** Movex Enhanced-Performance UHMW-PE and for abrasive applications.



Part	Article-Nr.	Tracks	W
710	71018610	1	320

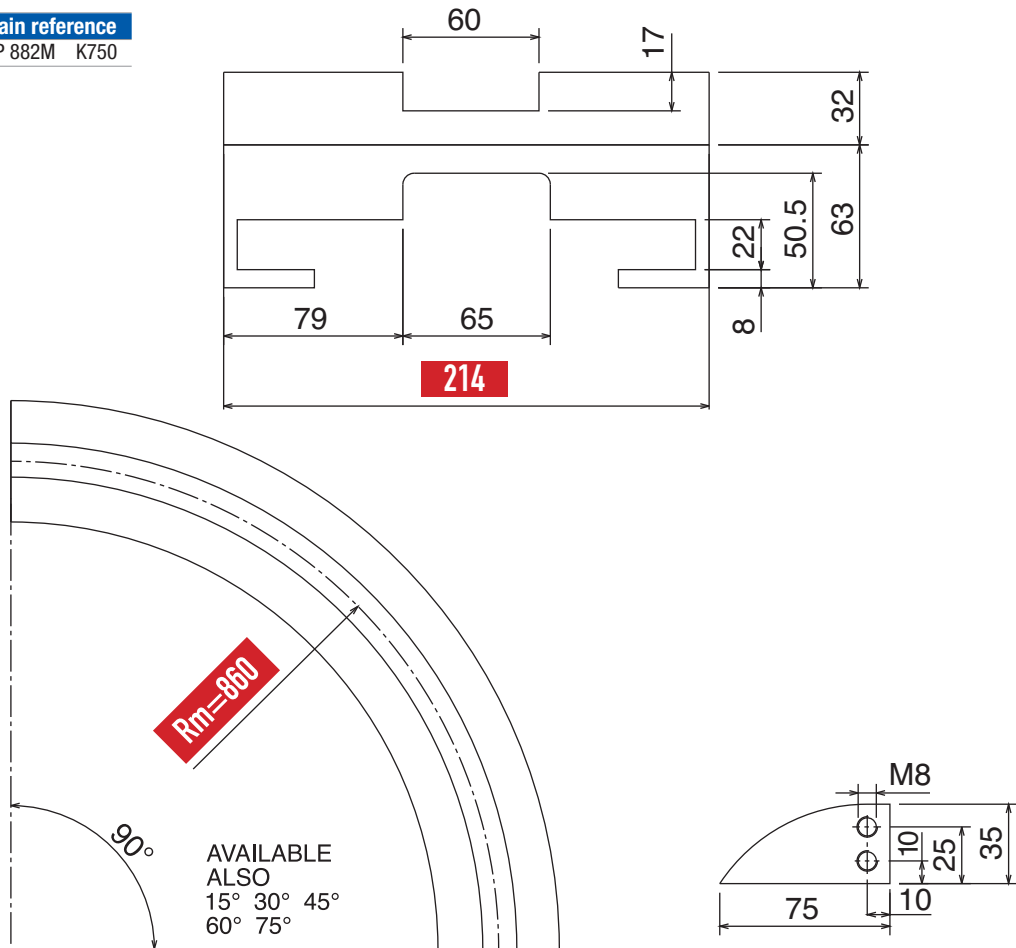
Part	Article-Nr.	Tracks	W
710	71018610RS	1	320



**RS** □□□

Curva Larghezza Base = 214 mm / Curve Basic Width = 214 mm / Kurve Basisbreite = 214 mm

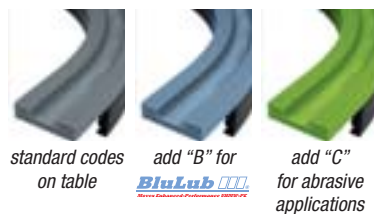
**Chain reference**  
LBP 882M K750



IN & OUT  
AVAILABLE ALSO  
125 mm - 100 mm - 50 mm

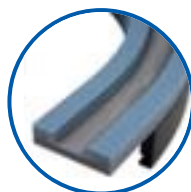
### Magnetic System

Upper part available, on request, also in **BluLub** Movex Enhanced-Performance UHMW-PE and for abrasive applications.



Part	Article-Nr.	Tracks	W
781	78118610	1	214

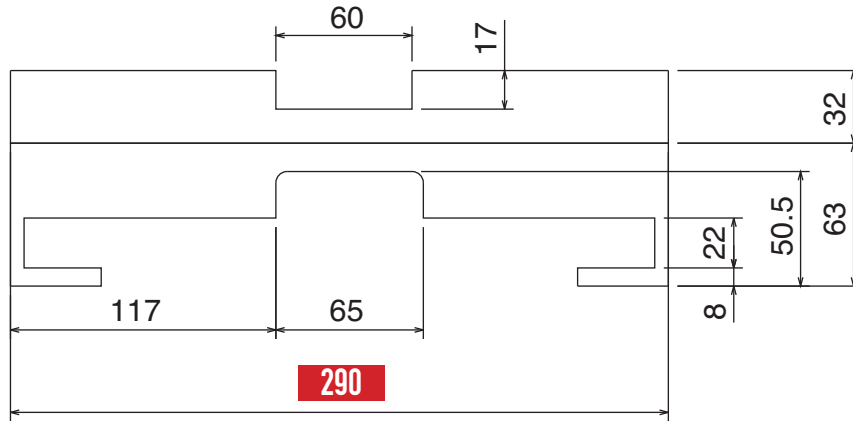
Part	Article-Nr.	Tracks	W
781	78118610RS	1	214



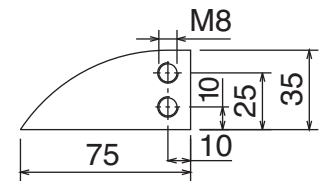
**RS**

Curva Larghezza Base = 290 mm / Curve Basic Width = 290 mm / Kurve Basisbreite = 290 mm

**Chain reference**  
LBP 882M K1000



IN & OUT  
AVAILABLE ALSO  
125 mm - 100 mm - 50 mm



## Magnetic System

Upper part available, on request,  
also in **BluLub**   
Movex Enhanced-Performance UHMW-PE  
and for abrasive applications.



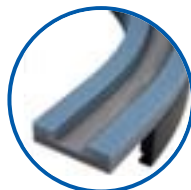
standard codes  
on table

add "B" for  
**BluLub**   
Movex Enhanced-Performance UHMW-PE

add "C"  
for abrasive  
applications

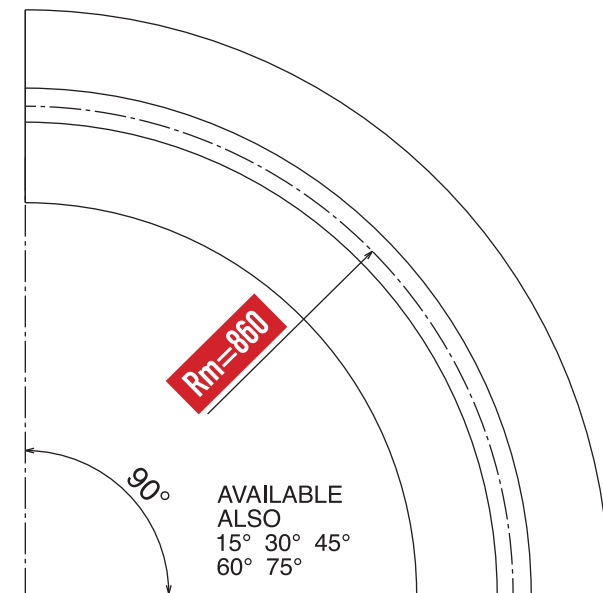
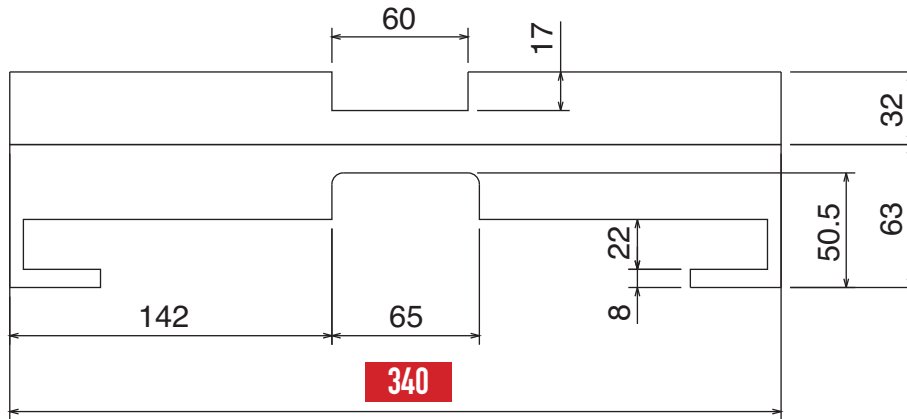
Part	Article-Nr.	Tracks	W
782	78218610	1	290

Part	Article-Nr.	Tracks	W
782	78218610RS	1	290



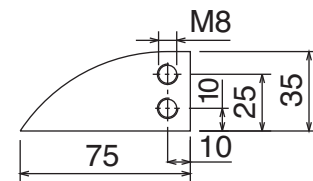
**RS** 

Curva Larghezza Base = 340 mm / Curve Basic Width = 340 mm / Kurve Basisbreite = 340 mm



IN & OUT  
AVAILABLE ALSO  
125 mm - 100 mm - 50 mm

**Chain reference**  
LBP 882M K1200



## MP96 Magnetic System

Upper part available, on request,  
also in **BluLub** MP96  
Movex Enhanced-Performance UHMW-PE  
and for abrasive applications.



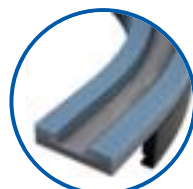
standard codes  
on table

add "B" for  
**BluLub** MP96  
Movex Enhanced-Performance UHMW-PE

add "C"  
for abrasive  
applications

Part	Article-Nr.	Tracks	W
783	78318610	1	340

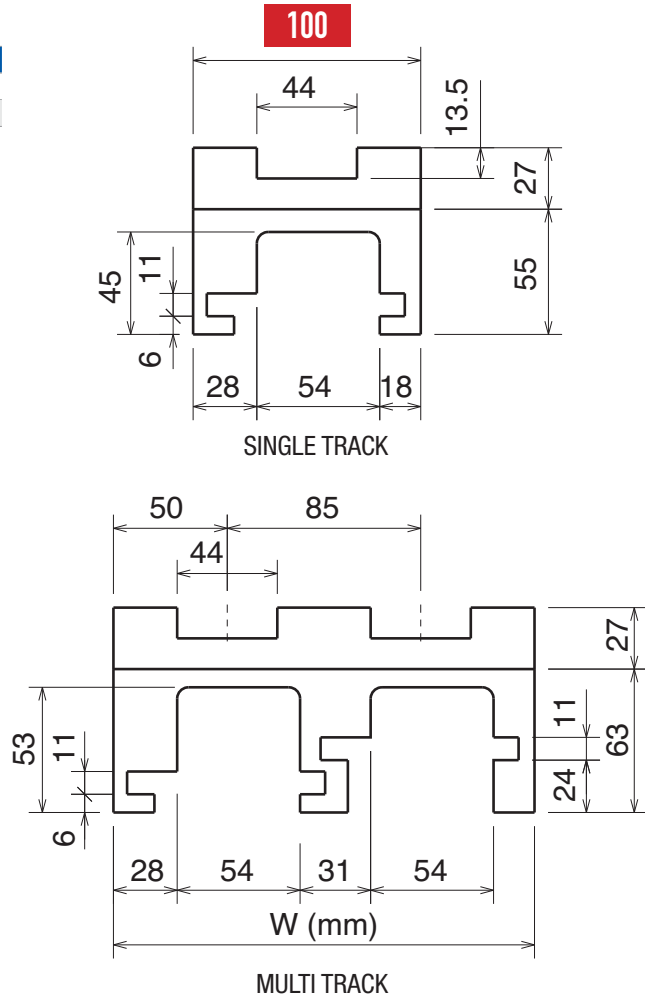
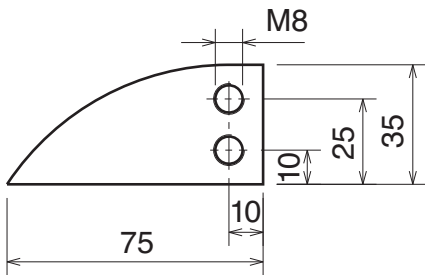
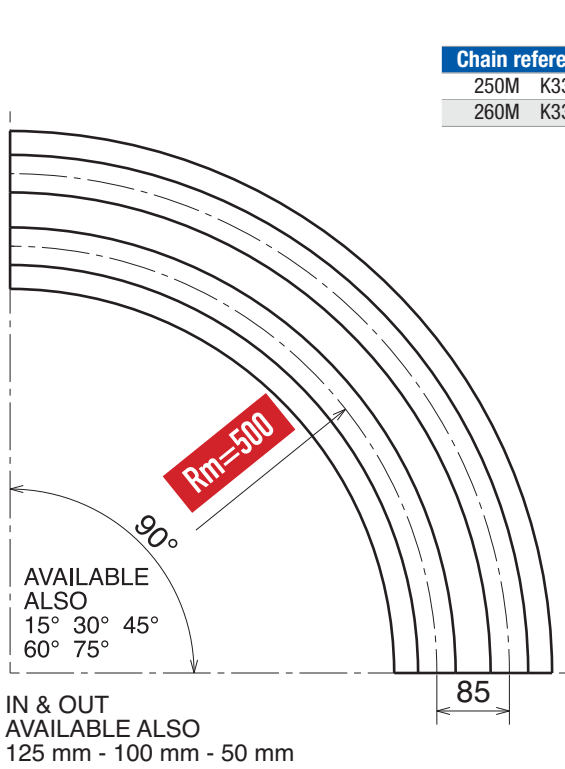
Part	Article-Nr.	Tracks	W
783	78318610RS	1	340



**RS** MP96

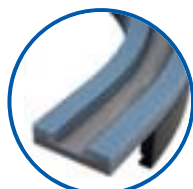
<b>Materiale:</b> Polietilene UHMW-PE	<b>Material:</b> Polyethylene UHMW-PE	<b>Materialien:</b> Polyäthylen UHMW-PE
--	--	--

Curva Larghezza Base = 100 mm; Passo = 85 mm / Curve Basic Width = 100 mm; Pitch = 85 mm / Kurve Basisbreite = 100 mm; Teilung = 85 mm



## Magnetic System

Upper part available, on request,  
also in **BluLub** Movex Enhanced-Performance UHMW-PE  
and for abrasive applications.

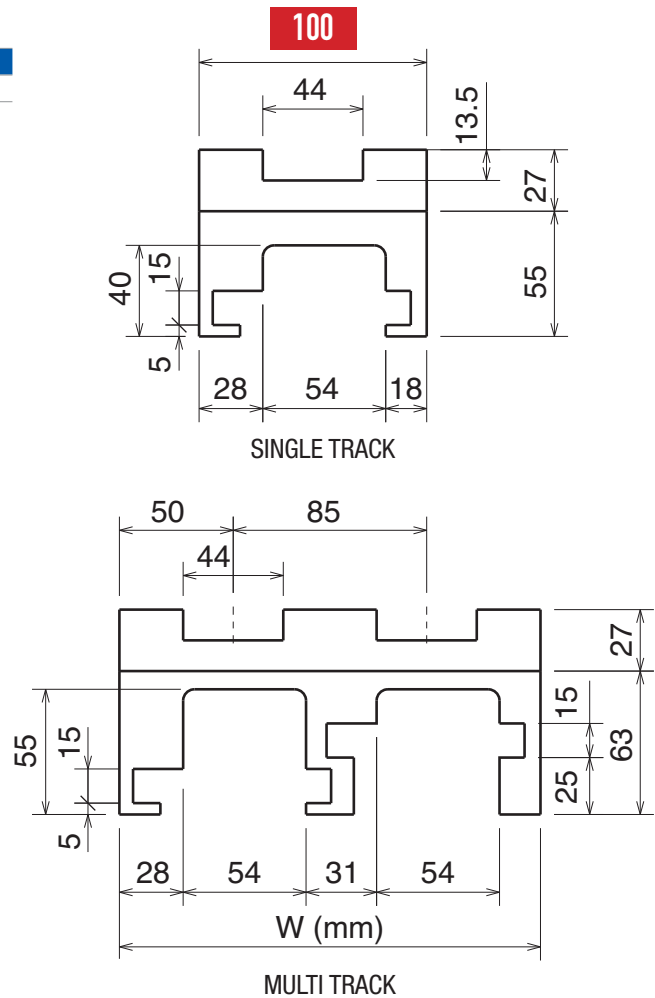
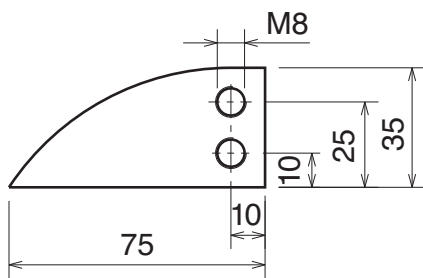
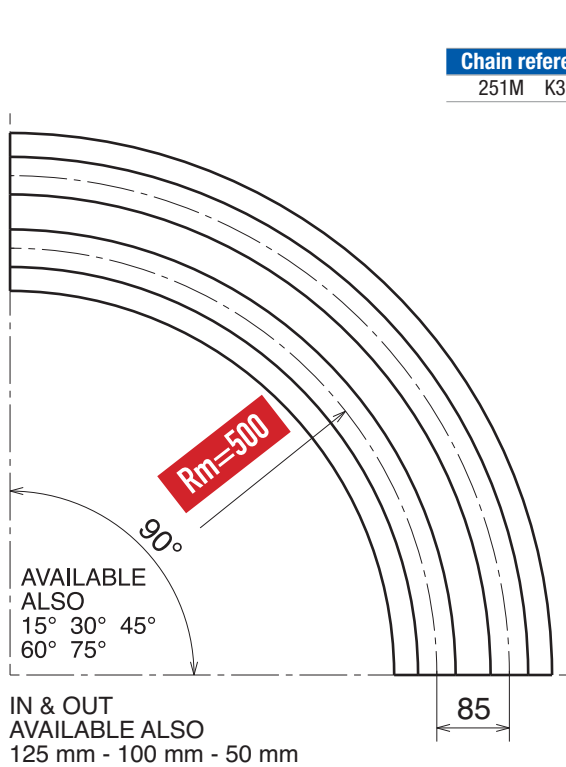


**RS**

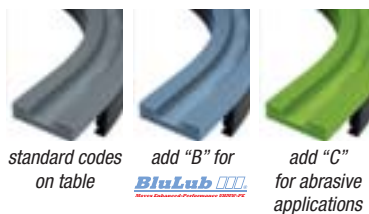
Part	Article-Nr.	Tracks	W
705	70511610	1	100
705	70511620	2	185
705	70511630	3	270
705	70511640	4	355
705	70511650	5	440
705	70511660	6	525
705	70511670	7	610
705	70511680	8	695

Part	Article-Nr.	Tracks	W
705	70511610RS	1	100
705	70511620RS	2	185
705	70511630RS	3	270
705	70511640RS	4	355
705	70511650RS	5	440
705	70511660RS	6	525
705	70511670RS	7	610
705	70511680RS	8	695

Curva Larghezza Base = 100 mm; Passo = 85 mm / Curve Basic Width = 100 mm; Pitch = 85 mm / Kurve Basisbreite = 100 mm; Teilung = 85 mm



Upper part available, on request, also in **BluLub**  Movex Enhanced-Performance UHMW-PE and for abrasive applications.

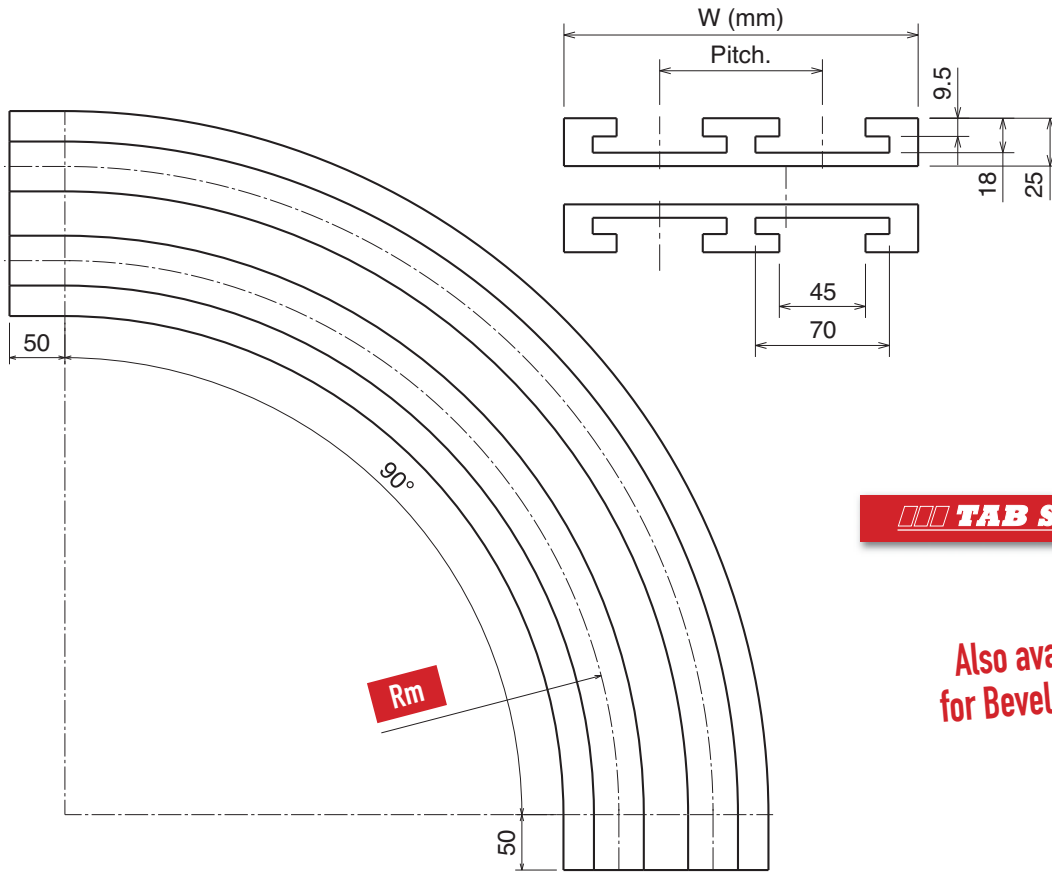


## Magnetic System

Part	Article-Nr.	Tracks	W
706	70611610	1	100
706	70611620	2	185
706	70611630	3	270
706	70611640	4	355
706	70611650	5	440
706	70611660	6	525
706	70611670	7	610
706	70611680	8	695

Part	Article-Nr.	Tracks	W
706	70611610RS	1	100
706	70611620RS	2	185
706	70611630RS	3	270
706	70611640RS	4	355
706	70611650RS	5	440
706	70611660RS	6	525
706	70611670RS	7	610
706	70611680RS	8	695

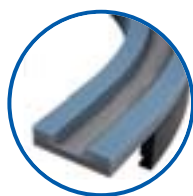
Curva 880-881 TAB K325-K450-K750 / Curve 880-881 TAB K325-K450-K750 / Kurve 880-881 TAB K325-K450-K750



**TAB System**

Also available for Bevel system

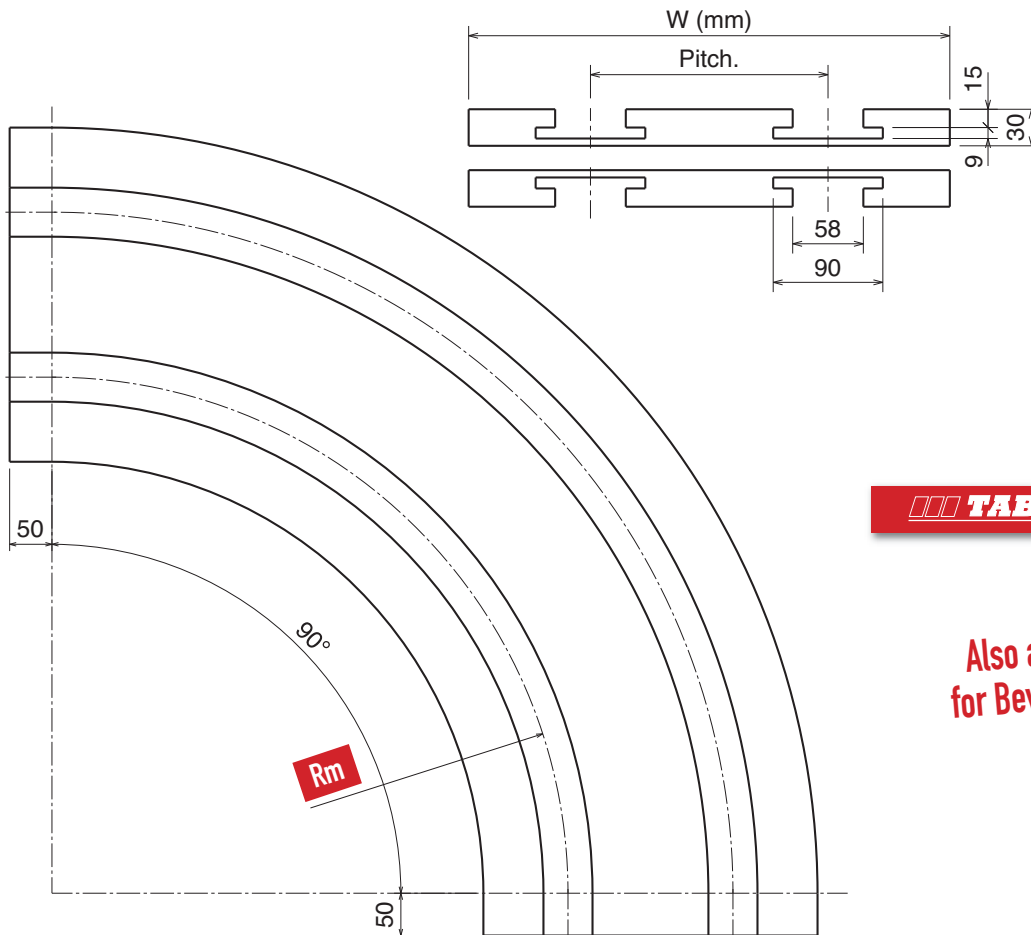
Upper part available, on request, also in **BluLub**  and for abrasive applications.



add "RS" for **RS** 

Part	Article-Nr.	Tracks	W	Rm	Pitch
<b>K325</b>					
720	72021612	1	100	500	85
720	72021622	2	185		
720	72021632	3	270		
720	72021642	4	355		
720	72021652	5	440		
720	72021662	6	525		
<b>K450</b>					
721	72123612	1	130	610	120
721	72123622	2	250		
721	72123632	3	370		
721	72123642	4	490		
721	72123652	5	610		
721	72123662	6	720		
<b>K750</b>					
722	72223612	1	200	610	195
722	72223622	2	395		
722	72223632	3	590		
722	72223642	4	785		

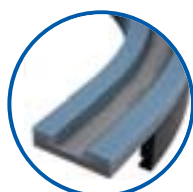
Curva 882 TAB K750-K1000-K1200 / Curve 882 TAB K750-K1000-K1200 / Kurve 882 TAB K750-K1000-K1200



**TAB System**

Also available  
for Bevel system

Upper part available, on request,  
also in **BluLub**   
Movex Enhanced-Performance UHMW-PE  
and for abrasive applications.



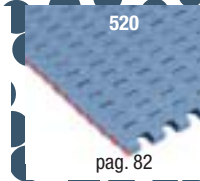
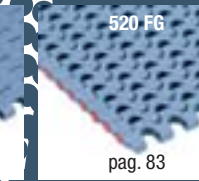
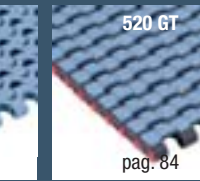
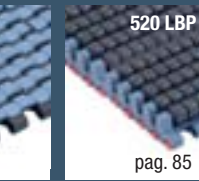





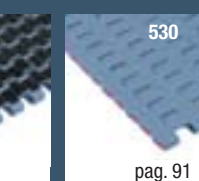















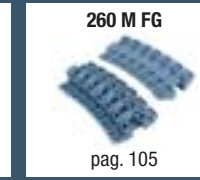




add "RS" for  
**RS** 

Part	Article-Nr.	Tracks	W	Rm	Pitch
<b>K750</b>					
723	72323612	1	200	610	195
723	72323622	2	395		
723	72323632	3	590		
723	72323642	4	785		
<b>K1000</b>					
724	72423612	1	270	610	230
724	72423622	2	530		
724	72423632	3	790		
724	72423642	4	1050		
<b>K1200</b>					
725	72523612	1	320	610	310
725	72523622	2	630		
725	72523632	3	940		
725	72523642	4	1250		



# modular belts

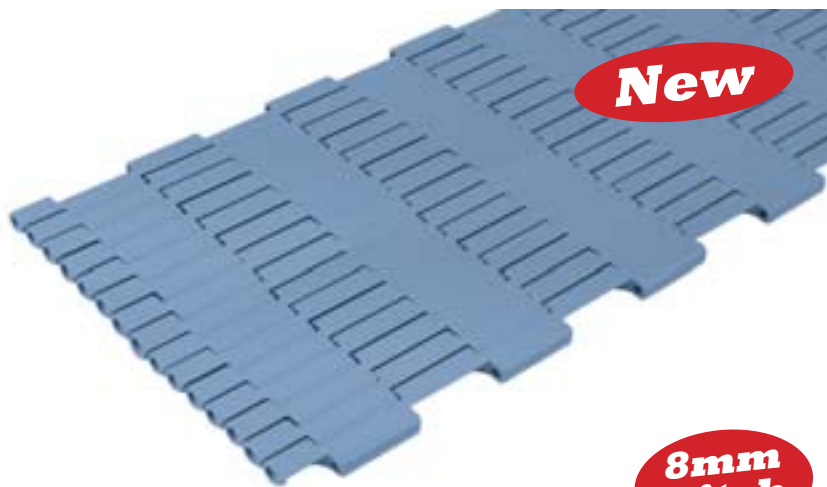
 510 pag. 80	 520 pag. 81	 520 FG pag. 82	 520 GT pag. 83	 520 LBP pag. 84	 520 LBP pag. 85
 521 pag. 86	 590 pag. 87	 525 pag. 88	 525 GT pag. 89	 525 GT SI pag. 90	 530 pag. 91
 530 GT pag. 92	 530 GT SI pag. 93	 550 pag. 94	 550 FTT pag. 95	 550 FG pag. 96	
 550 GT pag. 97	 550 GT SI pag. 98	 551 pag. 99	 551 GT pag. 100		
 551 GT SI pag. 101	 551 LBP pag. 102	 600 pag. 103	 500 RR pag. 104		
	 260 M pag. 104	 260 M FG pag. 105	 260 M FG pag. 105		
	 260 TAB pag. 106	 261 M pag. 106			



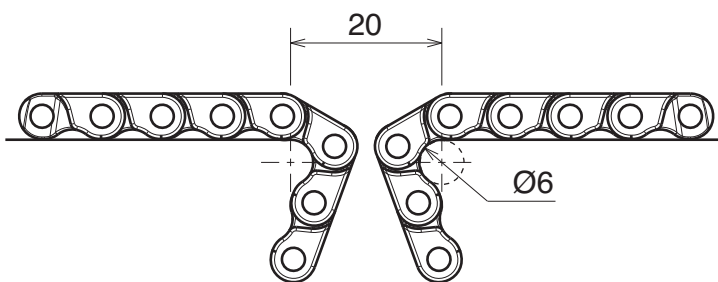
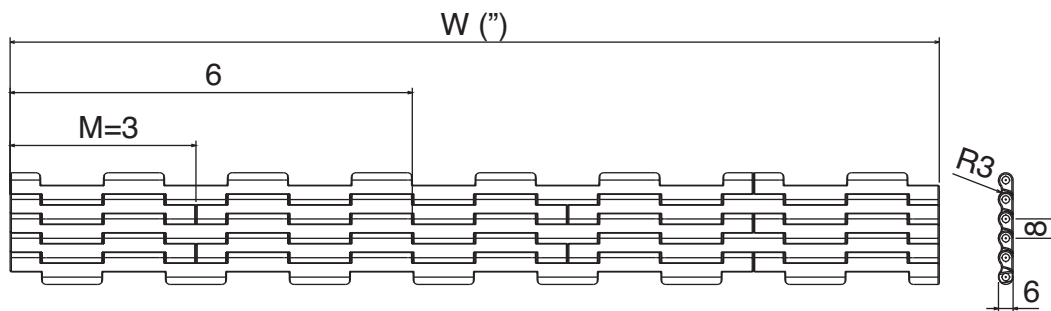
Tappeto Modulare 510 FT, H=6 M=3" / Modular Belt Series 510 FT, H=6 M=3" / Modulare Mattenkette 510 FT, H=6 M=3"

VERSION A - STANDARD

CODE STRUCTURE GUIDE			
<b>5331</b>	<b>01</b>	<b>0012</b>	<b>A</b>
<i>Series</i>	<i>Material</i>	<i>Width</i>	<i>Version</i>



**8mm pitch**



\* Material

**01 LFA - Acetal Resin**



Max working load: 3000 N/m  
Weight: 5.8 kg/m<sup>2</sup>  
Temperature range:  
dry -40÷80 °C  
wet -40÷65 °C  
Pin material: PBT white

**03 MX - PBT**



Max working load: 2700 N/m  
Weight: 5.5 kg/m<sup>2</sup>  
Temperature range:  
dry -40÷120 °C  
wet -40÷60 °C  
Pin material: POM grey

**08 MK**

**Super Performance Acetal**



Max working load: 2900 N/m  
Weight: 5.8 kg/m<sup>2</sup>  
Temperature range:  
dry -40÷80 °C  
wet -40÷65 °C  
Pin material: PBT white

On request also available in other materials and widths

Series	Material	Width	Version
5331	*	0003	A
5331	*	0006	A
5331	*	0009	A
5331	*	0012	A
5331	*	0015	A
5331	*	0018	A
5331	*	0021	A

Series	Material	Width	Version
5331	*	0024	A
5331	*	0027	A
5331	*	0030	A
5331	*	0033	A
5331	*	0036	A
5331	*	0039	A



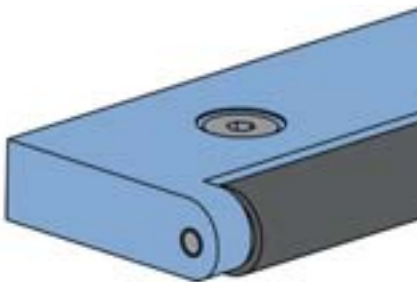
Materiale:	Material:	Materialien:
UHMW-PE	UHMW-PE	UHMW-PE

Used with belt series  
520-521-525-530

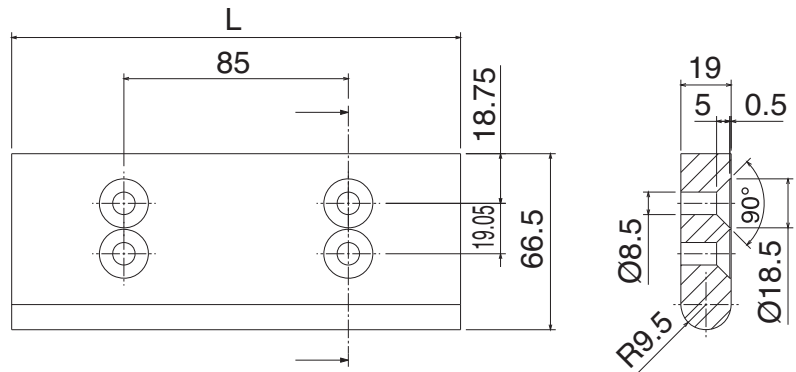
Piatto di trasferimento / Transfer Plate / Überschubplatte

Part	Article-Nr.	L	Type
228	22801	85	A
228	22802	170	A
228	22803	255	A
228	22804	85	B
228	22805	170	B
228	22806	255	B

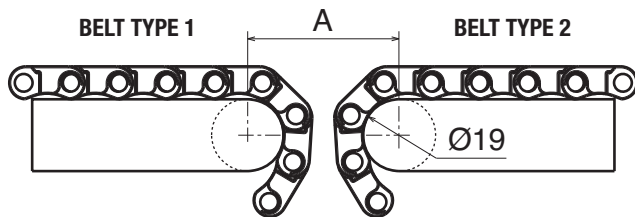
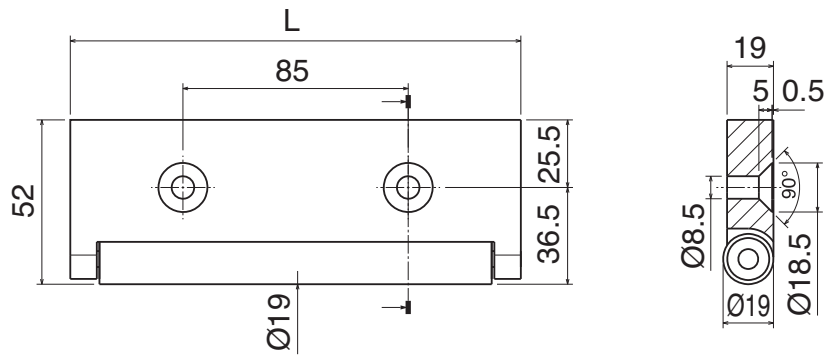
Also available, on request, other widths



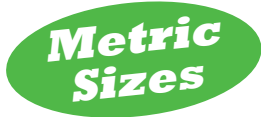
TYPE A



TYPE B - WITH ROLLER BEARING

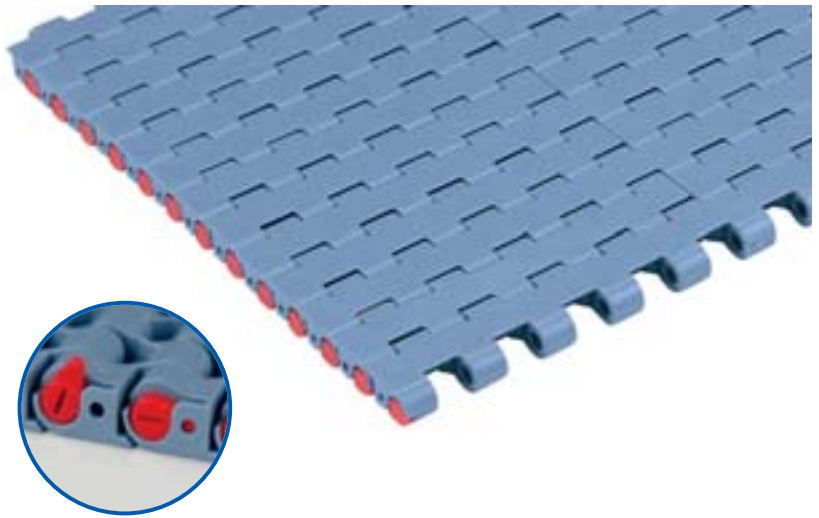


Belt type 1	Belt type 2	A
FT / FG	FT / FG	40
FT / FG	GT	42
FT / FG	LBP	53
GT	GT	44
GT	LBP	55
LBP	LBP	65



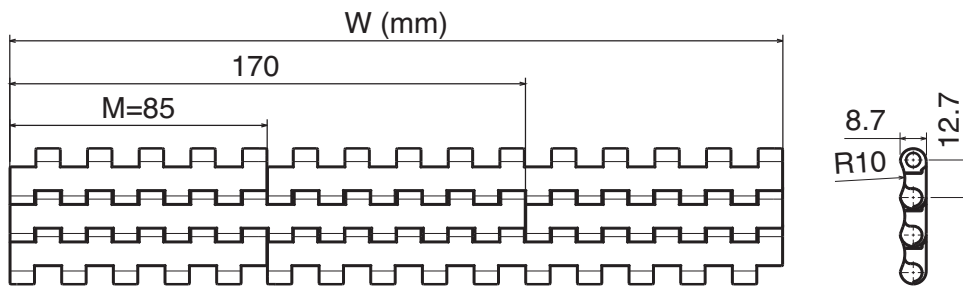
Tappeto Modulare 520 FT, H=8,7 M=85 / Modular Belt Series 520 FT, H=8,7 M=85 / Modulare Mattenkette 520 FT, H=8,7 M=85

Series	Material	Width	Version	Series	Material	Width	Version
5201	*	0085	A	5201	*	0850	A
5201	*	0170	A	5201	*	0935	A
5201	*	0255	A	5201	*	1020	A
5201	*	0340	A	5201	*	1105	A
5201	*	0425	A	5201	*	1190	A
5201	*	0510	A	5201	*	1275	A
5201	*	0595	A	5201	*	1360	A
5201	*	0680	A	5201	*	1445	A
5201	*	0765	A	5201	*	1530	A



CODE STRUCTURE GUIDE			
5201	03	0340	C
Series	Material	Width	Version

VERSION A - STANDARD



\* Material

**01 LFA - Acetal Resin**



Max working load: 21500 N/m  
Weight: 7,8 kg/m<sup>2</sup>  
Temperature range:  
dry -40÷80 °C  
wet -40÷65 °C  
Pin material: PBT white

**03 MX - PBT**



Max working load: 17500 N/m  
Weight: 7,5 kg/m<sup>2</sup>  
Temperature range:  
dry -40÷120 °C  
wet -40÷60 °C  
Pin material: POM grey

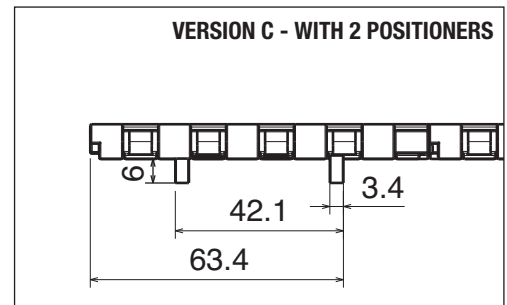
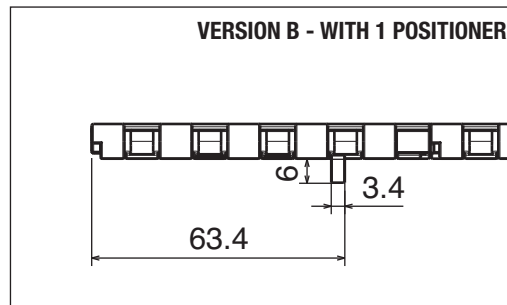
**08 MK**

**Super Performance Acetal**



Max working load: 20700 N/m  
Weight: 7,8 kg/m<sup>2</sup>  
Temperature range:  
dry -40÷80 °C  
wet -40÷65 °C  
Pin material: PBT white

On request also available in other materials and widths



Series	Material	Width	Version
5201	*	0085	B
5201	*	0170	B
5201	*	0255	B
5201	*	0340	B
5201	*	0425	B
5201	*	0510	B
5201	*	0595	B
5201	*	0680	B
5201	*	0765	B

Series	Material	Width	Version
5201	*	0850	B
5201	*	0935	B
5201	*	1020	B
5201	*	1105	B
5201	*	1190	B
5201	*	1275	B
5201	*	1360	B
5201	*	1445	B
5201	*	1530	B

Series	Material	Width	Version
5201	*	0085	C
5201	*	0170	C
5201	*	0255	C
5201	*	0340	C
5201	*	0425	C
5201	*	0510	C
5201	*	0595	C
5201	*	0680	C
5201	*	0765	C

Series	Material	Width	Version
5201	*	0850	C
5201	*	0935	C
5201	*	1020	C
5201	*	1105	C
5201	*	1190	C
5201	*	1275	C
5201	*	1360	C
5201	*	1445	C
5201	*	1530	C





Tappeto Modulare 520 FG, H=8,7 M=85 / Modular Belt Series 520 FG, H=8,7 M=85 / Modulare Mattenkette 520 FG, H=8,7 M=85

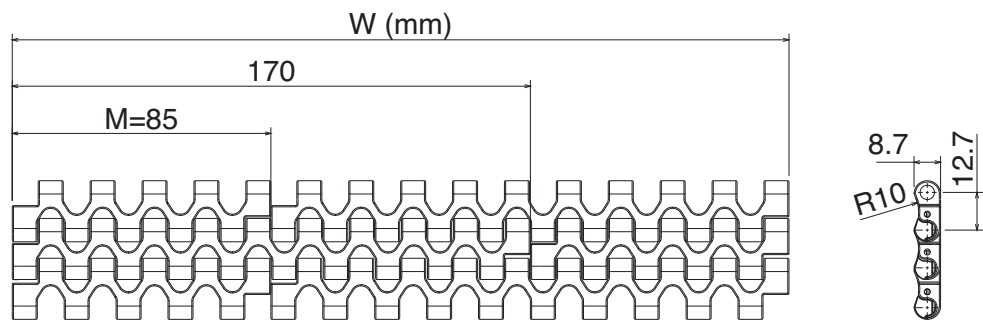
Series	Material	Width	Version
5202	*	0085	A
5202	*	0170	A
5202	*	0255	A
5202	*	0340	A
5202	*	0425	A
5202	*	0510	A
5202	*	0595	A
5202	*	0680	A
5202	*	0765	A

Series	Material	Width	Version
5202	*	0850	A
5202	*	0935	A
5202	*	1020	A
5202	*	1105	A
5202	*	1190	A
5202	*	1275	A
5202	*	1360	A
5202	*	1445	A
5202	*	1530	A



CODE STRUCTURE GUIDE			
5202	01	0765	A
Series	Material	Width	Version

VERSION A - STANDARD



**\* Material**

**01 LFA - Acetal Resin**

Max working load: 21500 N/m  
Weight: 7,5 kg/m<sup>2</sup>  
Temperature range:  
dry -40÷80 °C  
wet -40÷65 °C  
Pin material: PBT white

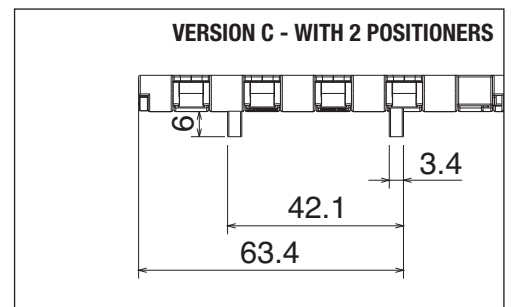
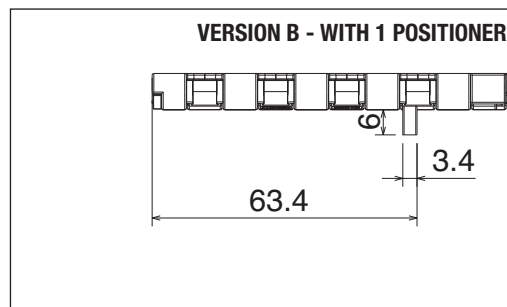
**03 MX - PBT**

Max working load: 17500 N/m  
Weight: 7,2 kg/m<sup>2</sup>  
Temperature range:  
dry -40÷120 °C  
wet -40÷60 °C  
Pin material: POM grey

**08 MK Super Performance Acetal**

Max working load: 20700 N/m  
Weight: 7,5 kg/m<sup>2</sup>  
Temperature range:  
dry -40÷80 °C  
wet -40÷65 °C  
Pin material: PBT white

*On request also available in other materials and widths*



Series	Material	Width	Version
5202	*	0085	B
5202	*	0170	B
5202	*	0255	B
5202	*	0340	B
5202	*	0425	B
5202	*	0510	B
5202	*	0595	B
5202	*	0680	B
5202	*	0765	B

Series	Material	Width	Version
5202	*	0850	B
5202	*	0935	B
5202	*	1020	B
5202	*	1105	B
5202	*	1190	B
5202	*	1275	B
5202	*	1360	B
5202	*	1445	B
5202	*	1530	B

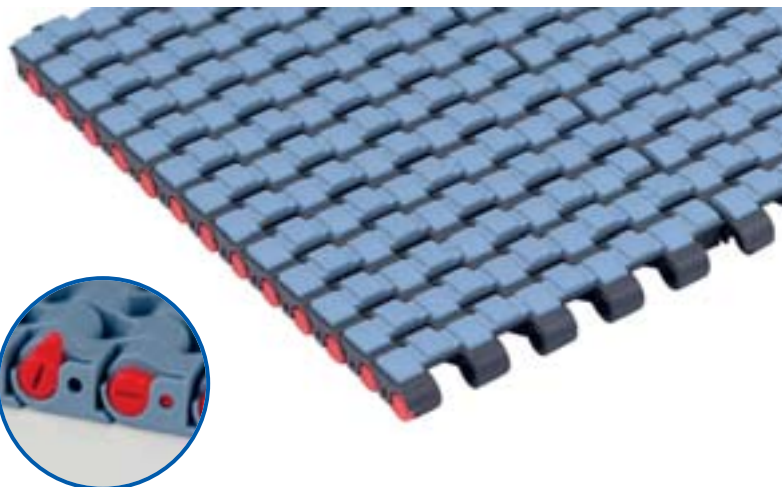
Series	Material	Width	Version
5202	*	0085	C
5202	*	0170	C
5202	*	0255	C
5202	*	0340	C
5202	*	0425	C
5202	*	0510	C
5202	*	0595	C
5202	*	0680	C
5202	*	0765	C

Series	Material	Width	Version
5202	*	0850	C
5202	*	0935	C
5202	*	1020	C
5202	*	1105	C
5202	*	1190	C
5202	*	1275	C
5202	*	1360	C
5202	*	1445	C
5202	*	1530	C



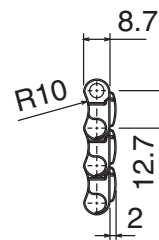
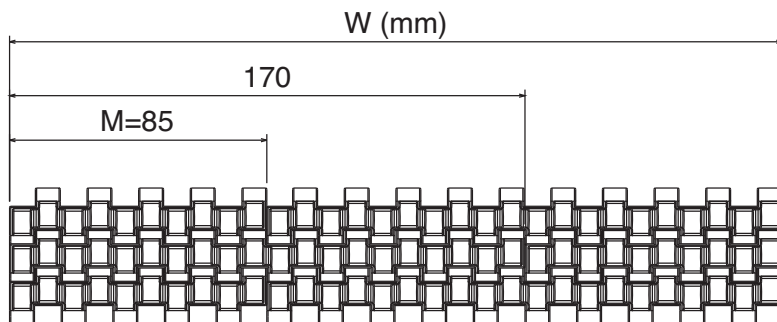
Tappeto Modulare 520 GT, H=8,7 M=85 / Modular Belt Series 520 GT, H=8,7 M=85 / Modulare Mattenkette 520 GT, H=8,7 M=85

Series	Material	Width	Version	Series	Material	Width	Version
5203	*	0085	A	5203	*	0850	A
5203	*	0170	A	5203	*	0935	A
5203	*	0255	A	5203	*	1020	A
5203	*	0340	A	5203	*	1105	A
5203	*	0425	A	5203	*	1190	A
5203	*	0510	A	5203	*	1275	A
5203	*	0595	A	5203	*	1360	A
5203	*	0680	A	5203	*	1445	A
5203	*	0765	A	5203	*	1530	A



CODE STRUCTURE GUIDE			
<b>5203</b>	<b>02</b>	<b>0510</b>	<b>B</b>
<i>Series</i>	<i>Material</i>	<i>Width</i>	<i>Version</i>

**VERSION A - STANDARD**



**\* Material**

**01 LFA - Acetal Resin**



Max working load: 21500 N/m  
Weight: 9,0 kg/m<sup>2</sup>  
Temp. range: dry -40÷80 °C  
wet -40÷65 °C  
Pin material: PBT white  
Hardness: 75 ShA

**02 PP - Polypropylene**



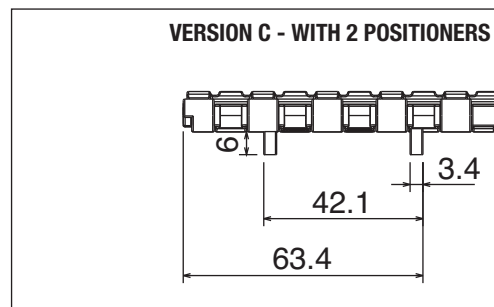
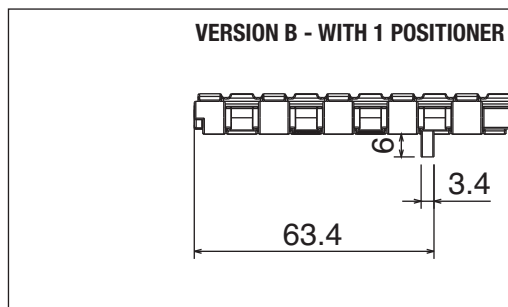
Max working load: 13000 N/m  
Weight: 7,5 kg/m<sup>2</sup>  
Temp. range: dry 4÷80 °C  
wet 4÷65 °C  
Pin material: PP blu  
Hardness: 75 ShA

**03 MX - PBT**



Max working load: 17500 N/m  
Weight: 9,3 kg/m<sup>2</sup>  
Temp. range: dry -40÷120 °C  
wet -40÷60 °C  
Pin material: POM grey  
Hardness: 75 ShA

On request also available in other materials and widths



Series	Material	Width	Version
5203	*	0085	B
5203	*	0170	B
5203	*	0255	B
5203	*	0340	B
5203	*	0425	B
5203	*	0510	B
5203	*	0595	B
5203	*	0680	B
5203	*	0765	B

Series	Material	Width	Version
5203	*	0850	B
5203	*	0935	B
5203	*	1020	B
5203	*	1105	B
5203	*	1190	B
5203	*	1275	B
5203	*	1360	B
5203	*	1445	B
5203	*	1530	B

Series	Material	Width	Version
5203	*	0085	C
5203	*	0170	C
5203	*	0255	C
5203	*	0340	C
5203	*	0425	C
5203	*	0510	C
5203	*	0595	C
5203	*	0680	C
5203	*	0765	C

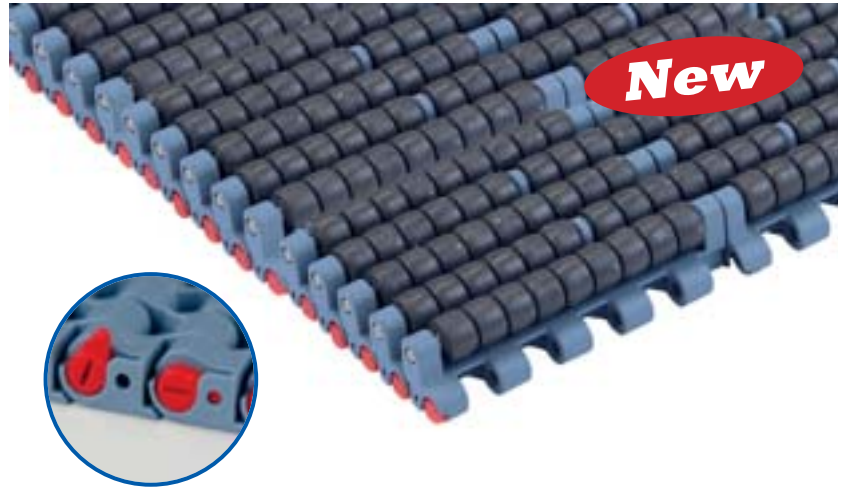
Series	Material	Width	Version
5203	*	0850	C
5203	*	0935	C
5203	*	1020	C
5203	*	1105	C
5203	*	1190	C
5203	*	1275	C
5203	*	1360	C
5203	*	1445	C
5203	*	1530	C





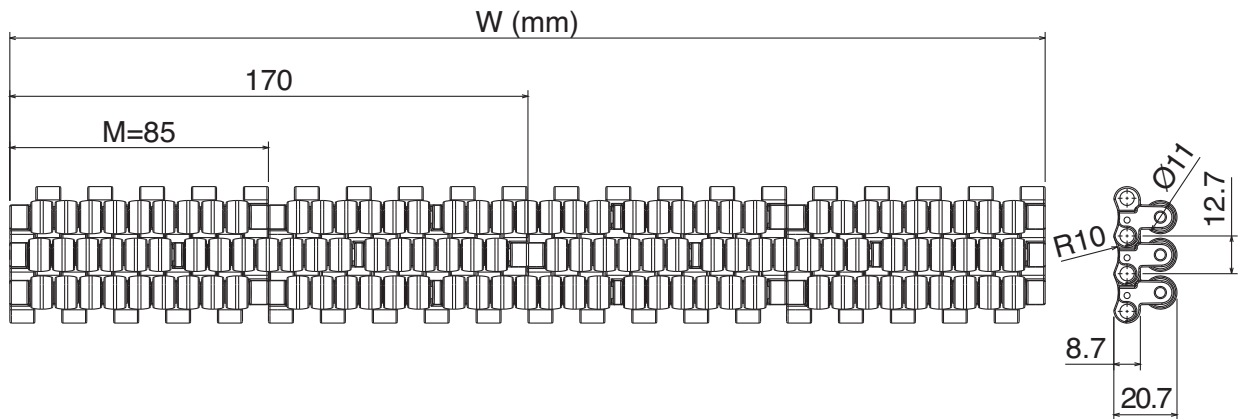
Tappeto Modulare 520 LBP, H=8,7 M=85 / Modular Belt Series 520 LBP, H=8,7 M=85 / Modulare Mattenkette 520 LBP, H=8,7 M=85

Series	Material	Width	Version	Series	Material	Width	Version
5204	*	0085	A	5204	*	0850	A
5204	*	0170	A	5204	*	0935	A
5204	*	0255	A	5204	*	1020	A
5204	*	0340	A	5204	*	1105	A
5204	*	0425	A	5204	*	1190	A
5204	*	0510	A	5204	*	1275	A
5204	*	0595	A	5204	*	1360	A
5204	*	0680	A	5204	*	1445	A
5204	*	0765	A	5204	*	1530	A



CODE STRUCTURE GUIDE			
<b>5204</b>	<b>01</b>	<b>1530</b>	<b>C</b>
Series	Material	Width	Version

VERSION A - STANDARD

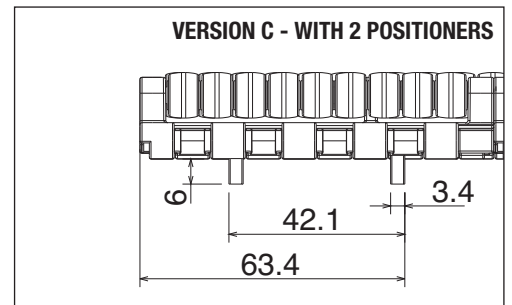
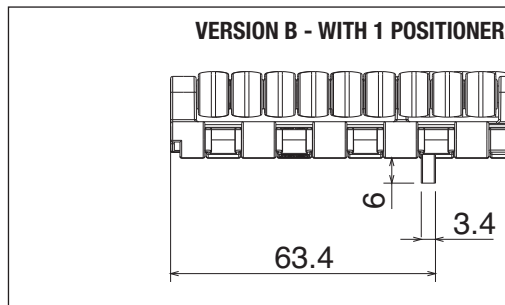


**\* Material**

**01 LFA - Acetal Resin**

Max working load: 21500 N/m  
Weight: 24,0 kg/m<sup>2</sup>  
Temperature range:  
dry -40÷80 °C  
wet 1÷65 °C  
Pin material: PBT white

*On request also available in other materials and widths*



Series	Material	Width	Version
5204	*	0085	B
5204	*	0170	B
5204	*	0255	B
5204	*	0340	B
5204	*	0425	B
5204	*	0510	B
5204	*	0595	B
5204	*	0680	B
5204	*	0765	B

Series	Material	Width	Version
5204	*	0850	B
5204	*	0935	B
5204	*	1020	B
5204	*	1105	B
5204	*	1190	B
5204	*	1275	B
5204	*	1360	B
5204	*	1445	B
5204	*	1530	B

Series	Material	Width	Version
5204	*	0085	C
5204	*	0170	C
5204	*	0255	C
5204	*	0340	C
5204	*	0425	C
5204	*	0510	C
5204	*	0595	C
5204	*	0680	C
5204	*	0765	C

Series	Material	Width	Version
5204	*	0850	C
5204	*	0935	C
5204	*	1020	C
5204	*	1105	C
5204	*	1190	C
5204	*	1275	C
5204	*	1360	C
5204	*	1445	C
5204	*	1530	C





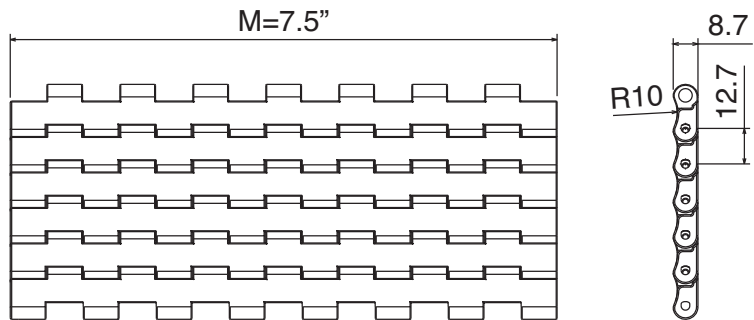
Tappeto Modulare 521 FT, H=8,7 M=7,5" / Modular Belt Series 521 FT, H=8,7 M=7,5" / Modulare Mattenkette 521 FT, H=8,7 M=7,5"

Series	Material	Width	Version
5311	*	9750	A

CODE STRUCTURE GUIDE			
<b>5311</b>	<b>01</b>	<b>9750</b>	<b>C</b>
Series	Material	Width	Version



**VERSION A - STANDARD**



**\* Material**

**01 LFA - Acetal Resin**



**Max working load:** 21500 N/m  
**Weight:** 8,0 kg/m<sup>2</sup>  
**Temperature range:**  
dry -40÷80 °C  
wet -40÷65 °C  
**Pin material:** PBT white

**03 MX - PBT**



**Max working load:** 17500 N/m  
**Weight:** 7,8 kg/m<sup>2</sup>  
**Temperature range:**  
dry -40÷120 °C  
wet -40÷60 °C  
**Pin material:** POM grey

**08 MK**

**Super Performance Acetal**



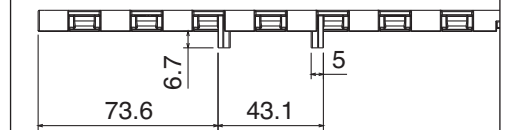
**Max working load:** 20700 N/m  
**Weight:** 8,0 kg/m<sup>2</sup>  
**Temperature range:**  
dry -40÷80 °C  
wet -40÷65 °C  
**Pin material:** PBT white

*On request also available  
in other materials*



pg 109

**VERSION C - WITH 2 POSITIONERS**



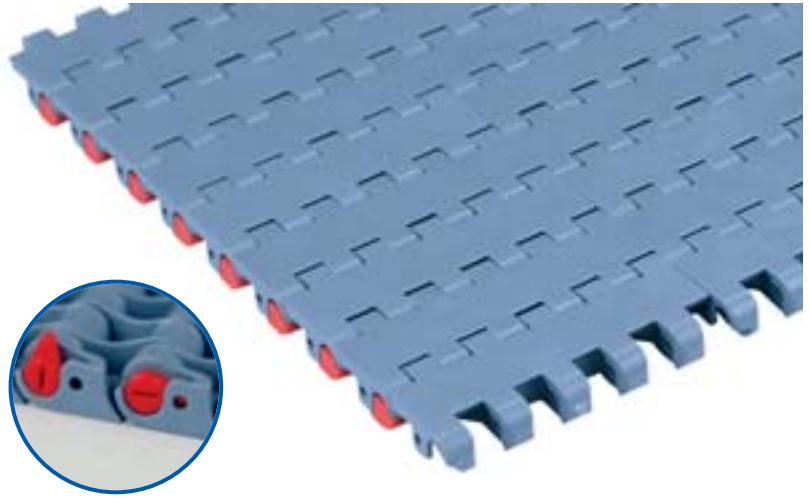
Series	Material	Width	Version
5311	*	9750	C





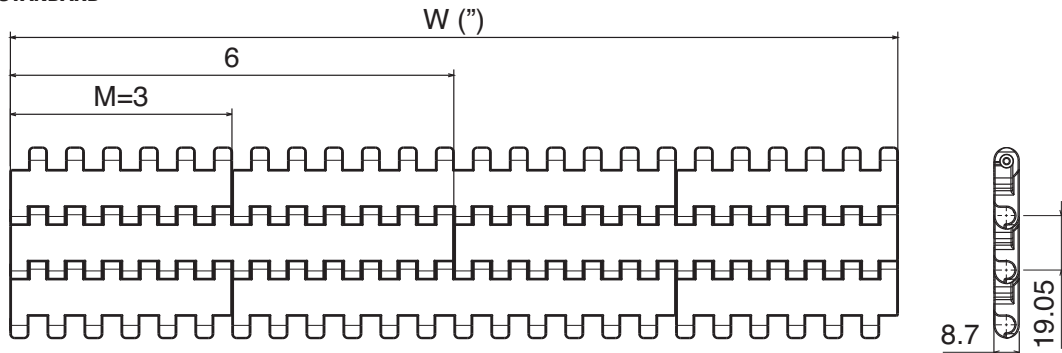
Tappeto Modulare 590 FT, H=8,7 M=3" / Modular Belt Series 590 FT, H=8,7 M=3" / Modulare Mattenkette 590 FT, H=8,7 M=3"

Series	Material	Width	Version	Series	Material	Width	Version
5301	*	0003	A	5301	*	0030	A
5301	*	0006	A	5301	*	0033	A
5301	*	0009	A	5301	*	0036	A
5301	*	0012	A	5301	*	0039	A
5301	*	0015	A	5301	*	0042	A
5301	*	0018	A	5301	*	0045	A
5301	*	0021	A	5301	*	0048	A
5301	*	0024	A	5301	*	0051	A
5301	*	0027	A	5301	*	0054	A



CODE STRUCTURE GUIDE			
5301	01	0009	C
Series	Material	Width	Version

VERSION A - STANDARD



\* Material

**01 LFA - Acetal Resin**



Max working load: 30000 N/m  
Weight: 7,2 kg/m<sup>2</sup>  
Temperature range:  
dry -40÷80 °C  
wet -40÷65 °C  
Pin material: PBT white

**03 MX - PBT**



Max working load: 24000 N/m  
Weight: 7,0 kg/m<sup>2</sup>  
Temperature range:  
dry -40÷120 °C  
wet -40÷60 °C  
Pin material: POM grey

**08 MK**

**Super Performance Acetal**



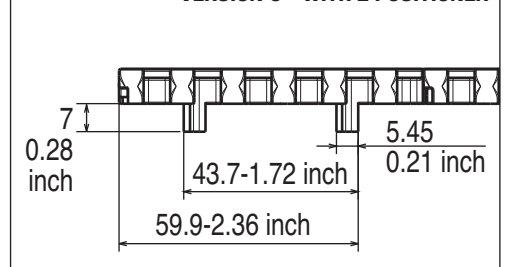
Max working load: 28800 N/m  
Weight: 7,2 kg/m<sup>2</sup>  
Temperature range:  
dry -40÷80 °C  
wet -40÷65 °C  
Pin material: PBT white

On request also available in other materials and widths



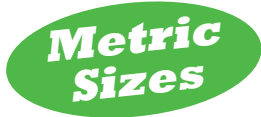
pg 113

VERSION C - WITH 2 POSITIONER



Series	Material	Width	Version
5301	*	0003	C
5301	*	0006	C
5301	*	0009	C
5301	*	0012	C
5301	*	0015	C
5301	*	0018	C
5301	*	0021	C
5301	*	0024	C
5301	*	0027	C

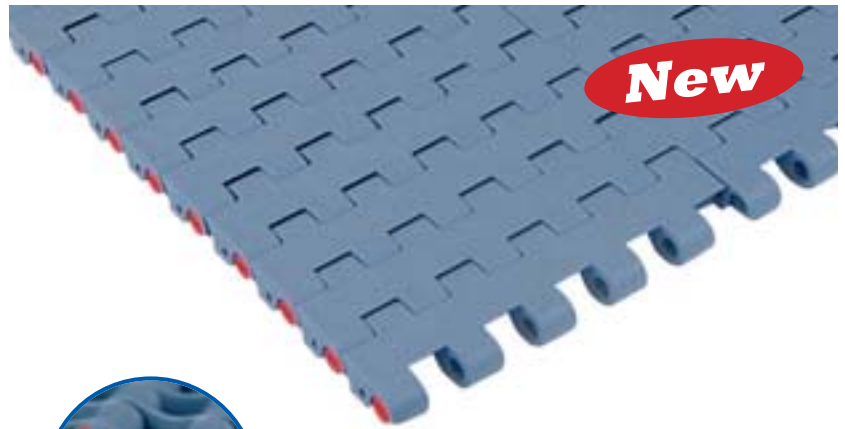
Series	Material	Width	Version
5301	*	0030	C
5301	*	0033	C
5301	*	0036	C
5301	*	0039	C
5301	*	0042	C
5301	*	0045	C
5301	*	0048	C
5301	*	0051	C
5301	*	0054	C



Tappeto Modulare 525 FT, H=8,7 M=85 / Modular Belt Series 525 FT, H=8,7 M=85 / Modulare Mattenkette 525 FT, H=8,7 M=85

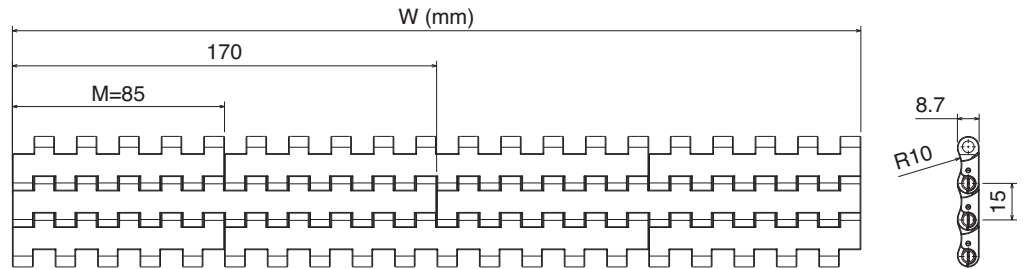
Series	Material	Width	Version
5251	*	0085	A
5251	*	0170	A
5251	*	0255	A
5251	*	0340	A
5251	*	0425	A
5251	*	0510	A
5251	*	0595	A
5251	*	0680	A
5251	*	0765	A

Series	Material	Width	Version
5251	*	0850	A
5251	*	0935	A
5251	*	1020	A
5251	*	1105	A
5251	*	1190	A
5251	*	1275	A
5251	*	1360	A
5251	*	1445	A
5251	*	1530	A



**VERSION A - STANDARD**

CODE STRUCTURE GUIDE			
5251	03	0340	C
Series	Material	Width	Version



**\* Material**

**01 LFA - Acetal Resin**

Max w. load: 21500 N/m  
Weight: 7,8 kg/m<sup>2</sup>  
Temperature range: dry -40÷80 °C, wet -40÷65 °C  
Pin material: PBT white

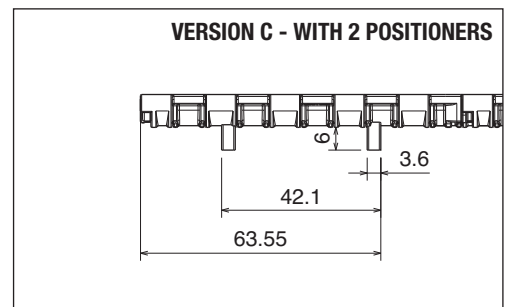
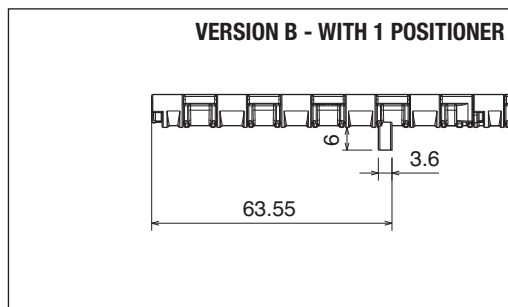
**03 MX - PBT**

Max w. load: 17500 N/m  
Weight: 7,5 kg/m<sup>2</sup>  
Temperature range: dry -40÷120 °C, wet -40÷60 °C  
Pin material: PBT white

**08 MK Super Performance Acetal**

Max w. load: 20700 N/m  
Weight: 7,8 kg/m<sup>2</sup>  
Temperature range: dry -40÷80 °C, wet -40÷65 °C  
Pin material: PBT white

*On request also available in other materials and widths*



Series	Material	Width	Version
5251	*	0085	B
5251	*	0170	B
5251	*	0255	B
5251	*	0340	B
5251	*	0425	B
5251	*	0510	B
5251	*	0595	B
5251	*	0680	B
5251	*	0765	B

Series	Material	Width	Version
5251	*	0850	B
5251	*	0935	B
5251	*	1020	B
5251	*	1105	B
5251	*	1190	B
5251	*	1275	B
5251	*	1360	B
5251	*	1445	B
5251	*	1530	B

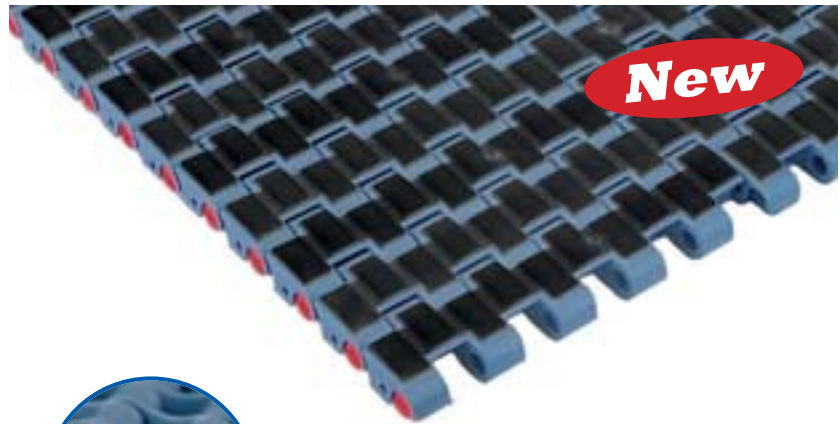
Series	Material	Width	Version
5251	*	0085	C
5251	*	0170	C
5251	*	0255	C
5251	*	0340	C
5251	*	0425	C
5251	*	0510	C
5251	*	0595	C
5251	*	0680	C
5251	*	0765	C

Series	Material	Width	Version
5251	*	0850	C
5251	*	0935	C
5251	*	1020	C
5251	*	1105	C
5251	*	1190	C
5251	*	1275	C
5251	*	1360	C
5251	*	1445	C
5251	*	1530	C





Tappeto Modulare 525 GT, H=8,7 M=85 / Modular Belt Series 525 GT, H=8,7 M=85 / Modulare Mattenkette 525 GT, H=8,7 M=85

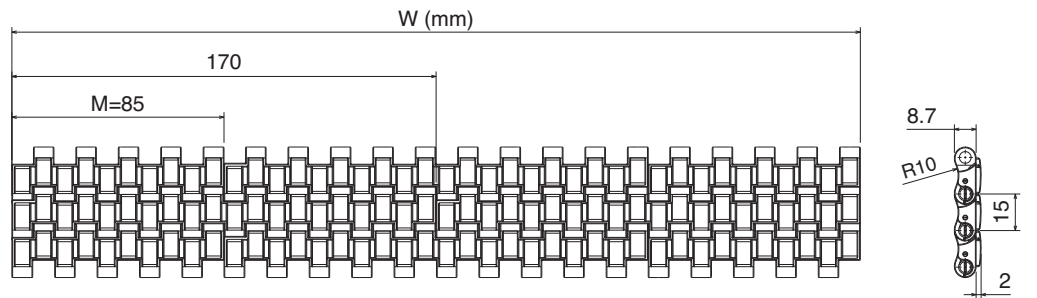


Series	Material	Width	Version
5253	*	0085	A
5253	*	0170	A
5253	*	0255	A
5253	*	0340	A
5253	*	0425	A
5253	*	0510	A
5253	*	0595	A
5253	*	0680	A
5253	*	0765	A

Series	Material	Width	Version
5253	*	0850	A
5253	*	0935	A
5253	*	1020	A
5253	*	1105	A
5253	*	1190	A
5253	*	1275	A
5253	*	1360	A
5253	*	1445	A
5253	*	1530	A

**VERSION A - STANDARD**

CODE STRUCTURE GUIDE			
<b>5253</b>	<b>01</b>	<b>0765</b>	<b>A</b>
<i>Series</i>	<i>Material</i>	<i>Width</i>	<i>Version</i>



**\* Material**

**01 LFA - Acetal Resin**

Max w. load: 21500 N/m  
Weight: 7,8 kg/m<sup>2</sup>  
Temp. range: dry -40÷80 °C  
wet -40÷65 °C  
Pin material: PBT white  
Hardness: 75 ShA

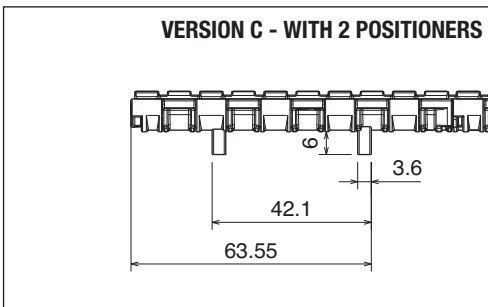
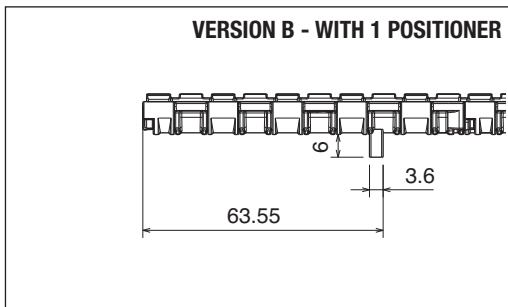
**02 PP - Polypropylene**

Max w. load: 13000 N/m  
Weight: 7,5 kg/m<sup>2</sup>  
Temp. range: dry 4÷80 °C  
wet 4÷65 °C  
Pin material: PP blu  
Hardness: 75 ShA

**03 MX - PBT**

Max w. load: 20700 N/m  
Weight: 7,8 kg/m<sup>2</sup>  
Temp. range: dry -40÷120 °C  
wet -40÷60 °C  
Pin material: POM grey  
Hardness: 75 ShA

*On request also available in other materials and widths*



Series	Material	Width	Version
5253	*	0085	B
5253	*	0170	B
5253	*	0255	B
5253	*	0340	B
5253	*	0425	B
5253	*	0510	B
5253	*	0595	B
5253	*	0680	B
5253	*	0765	B

Series	Material	Width	Version
5253	*	0850	B
5253	*	0935	B
5253	*	1020	B
5253	*	1105	B
5253	*	1190	B
5253	*	1275	B
5253	*	1360	B
5253	*	1445	B
5253	*	1530	B

Series	Material	Width	Version
5253	*	0085	C
5253	*	0170	C
5253	*	0255	C
5253	*	0340	C
5253	*	0425	C
5253	*	0510	C
5253	*	0595	C
5253	*	0680	C
5253	*	0765	C

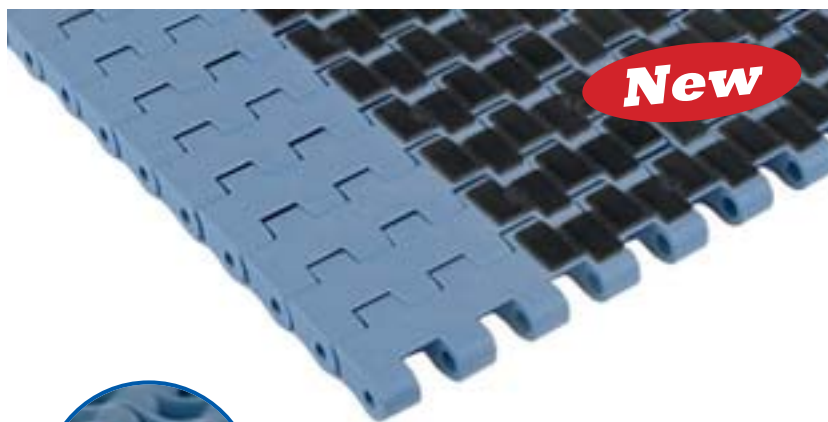
Series	Material	Width	Version
5253	*	0850	C
5253	*	0935	C
5253	*	1020	C
5253	*	1105	C
5253	*	1190	C
5253	*	1275	C
5253	*	1360	C
5253	*	1445	C
5253	*	1530	C

pg 112

Tappeto Modulare 525 GT, H=8,7 M=85 / Modular Belt Series 525 GT, H=8,7 M=85 / Modulare Mattenkette 525 GT, H=8,7 M=85

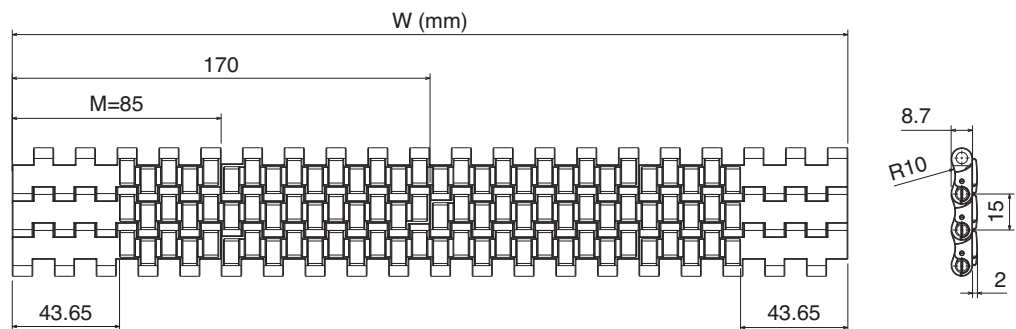
Series	Material	Width	Version
5255	*	0255	A
5255	*	0340	A
5255	*	0425	A
5255	*	0510	A
5255	*	0595	A
5255	*	0680	A
5255	*	0765	A
5255	*	0850	A

Series	Material	Width	Version
5255	*	0935	A
5255	*	1020	A
5255	*	1105	A
5255	*	1190	A
5255	*	1275	A
5255	*	1360	A
5255	*	1445	A
5255	*	1530	A



**VERSION A - STANDARD**

CODE STRUCTURE GUIDE			
<b>5255</b>	<b>03</b>	<b>0340</b>	<b>C</b>
<i>Series</i>	<i>Material</i>	<i>Width</i>	<i>Version</i>



**\* Material**

**01 LFA - Acetal Resin**

Max w. load: 21500 N/m  
Weight: 7,8 kg/m<sup>2</sup>  
Temp. range: dry -40÷80 °C  
wet -40÷65 °C  
Pin material: PBT white  
Hardness: 75 ShA

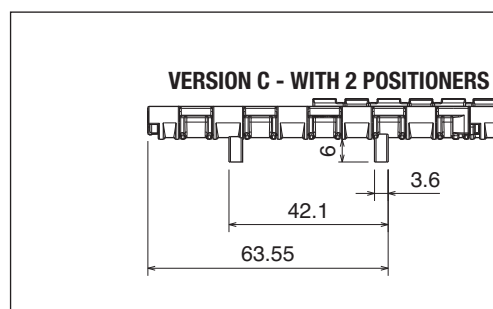
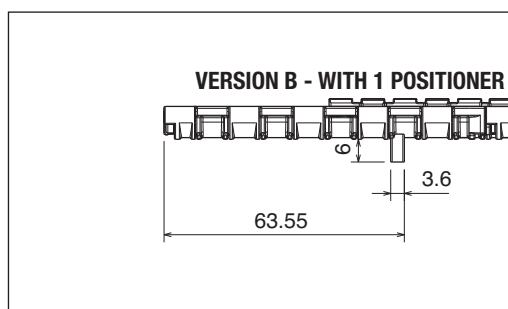
**02 PP - Polypropylene**

Max w. load: 13000 N/m  
Weight: 7,5 kg/m<sup>2</sup>  
Temp. range: dry 4÷80 °C  
wet 4÷65 °C  
Pin material: PP blu  
Hardness: 75 ShA

**03 MX - PBT**

Max w. load: 20700 N/m  
Weight: 7,8 kg/m<sup>2</sup>  
Temp. range: dry -40÷120 °C  
wet -40÷60 °C  
Pin material: POM grey  
Hardness: 75 ShA

*On request also available in other materials and widths*



Series	Material	Width	Version
5255	*	0255	B
5255	*	0340	B
5255	*	0425	B
5255	*	0510	B
5255	*	0595	B
5255	*	0680	B
5255	*	0765	B
5255	*	0850	B

Series	Material	Width	Version
5255	*	0935	B
5255	*	1020	B
5255	*	1105	B
5255	*	1190	B
5255	*	1275	B
5255	*	1360	B
5255	*	1445	B
5255	*	1530	B

Series	Material	Width	Version
5255	*	0255	C
5255	*	0340	C
5255	*	0425	C
5255	*	0510	C
5255	*	0595	C
5255	*	0680	C
5255	*	0765	C
5255	*	0850	C

Series	Material	Width	Version
5255	*	0935	C
5255	*	1020	C
5255	*	1105	C
5255	*	1190	C
5255	*	1275	C
5255	*	1360	C
5255	*	1445	C
5255	*	1530	C





Tappeto Modulare 530 FT, H=8,7 M=3" / Modular Belt Series 530 FT, H=8,7 M=3" / Modulare Mattenkette 530 FT, H=8,7 M=3"

Series	Material	Width	Version
5321	*	0003	A
5321	*	0006	A
5321	*	0009	A
5321	*	0012	A
5321	*	0015	A
5321	*	0018	A
5321	*	0021	A
5321	*	0024	A
5321	*	0027	A

Series	Material	Width	Version
5321	*	0030	A
5321	*	0033	A
5321	*	0036	A
5321	*	0039	A
5321	*	0042	A
5321	*	0045	A
5321	*	0048	A
5321	*	0051	A
5321	*	0054	A



VERSION A - STANDARD

CODE STRUCTURE GUIDE			
5321	01	0042	A
<i>Series</i>	<i>Material</i>	<i>Width</i>	<i>Version</i>

\* Material

**01 LFA - Acetal Resin**



Max w. load: 21500 N/m  
Weight: 7,8 kg/m<sup>2</sup>  
Temperature range:

dry -40÷80 °C  
wet -40÷65 °C

Pin material: PBT white

**03 MX - PBT**



Max w. load: 17500 N/m  
Weight: 7,5 kg/m<sup>2</sup>  
Temperature range:

dry -40÷120 °C  
wet -40÷60 °C

Pin material: POM grey

**08 MK**

**Super Performance Acetal**

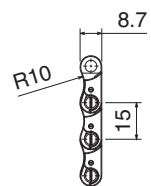
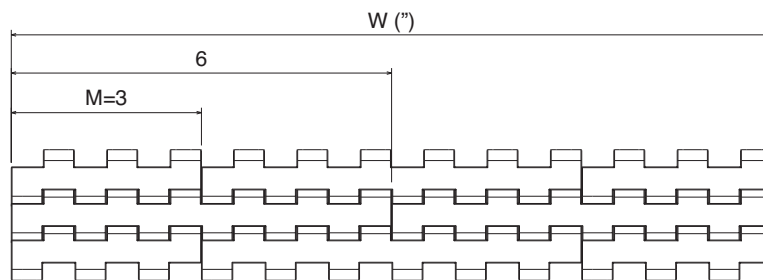


Max w. load: 20700 N/m  
Weight: 7,8 kg/m<sup>2</sup>  
Temperature range:

dry -40÷80 °C  
wet -40÷65 °C

Pin material: PBT white

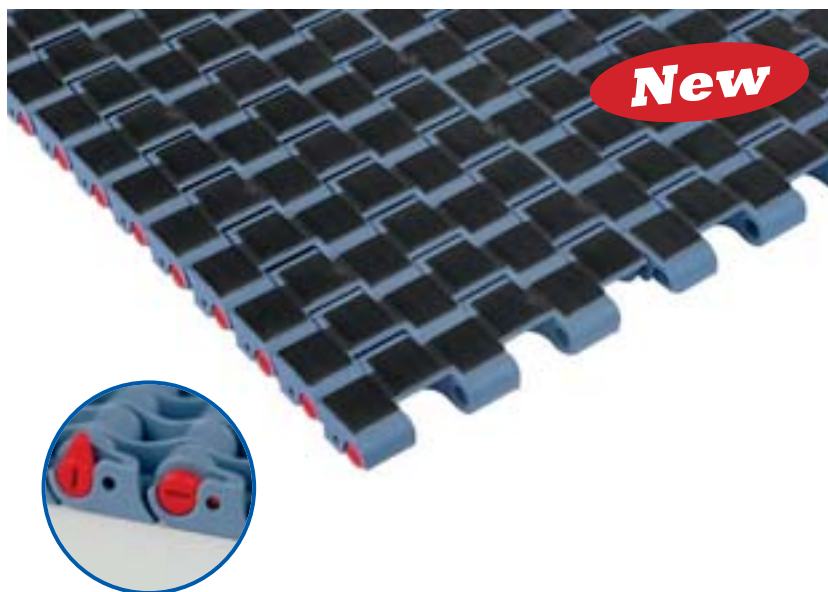
On request also available in other materials and widths



Tappeto Modulare 530 GT, H=8,7 M=3" / Modular Belt Series 530 GT, H=8,7 M=3" / Modulare Mattenkette 530 GT, H=8,7 M=3"

Series	Material	Width	Version
5323	*	0003	A
5323	*	0006	A
5323	*	0009	A
5323	*	0012	A
5323	*	0015	A
5323	*	0018	A
5323	*	0021	A
5323	*	0024	A
5323	*	0027	A

Series	Material	Width	Version
5323	*	0030	A
5323	*	0033	A
5323	*	0036	A
5323	*	0039	A
5323	*	0042	A
5323	*	0045	A
5323	*	0048	A
5323	*	0051	A
5323	*	0054	A



**VERSION A - STANDARD**

CODE STRUCTURE GUIDE			
<b>5323</b>	<b>01</b>	<b>0009</b>	<b>A</b>
<i>Series</i>	<i>Material</i>	<i>Width</i>	<i>Version</i>

**\* Material**

**01 LFA - Acetal Resin**



Max w. load: 21500 N/m  
Weight: 7,8 kg/m<sup>2</sup>  
Temp. range: dry -40÷80 °C  
wet -40÷65 °C  
Pin material: PBT white  
Hardness: 75 ShA

**02 PP - Polypropylene**



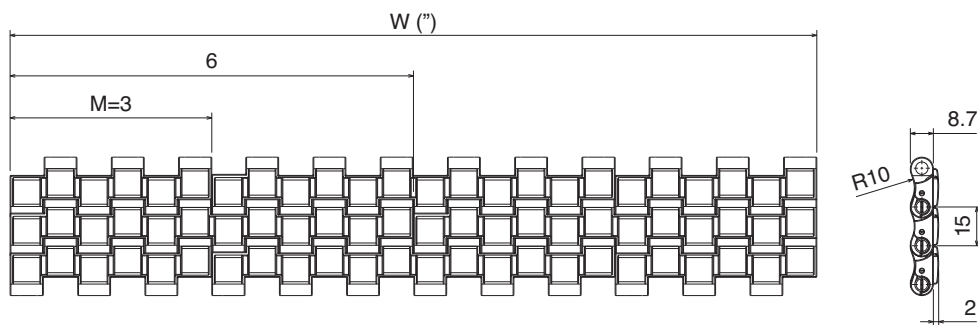
Max w. load: 13000 N/m  
Weight: 7,5 kg/m<sup>2</sup>  
Temp. range: dry 4÷80 °C  
wet 4÷65 °C  
Pin material: PP blu  
Hardness: 75 ShA

**03 MX - PBT**



Max w. load: 20700 N/m  
Weight: 7,8 kg/m<sup>2</sup>  
Temp. range: dry -40÷120 °C  
wet -40÷60 °C  
Pin material: POM grey  
Hardness: 75 ShA

On request also available in other materials and widths

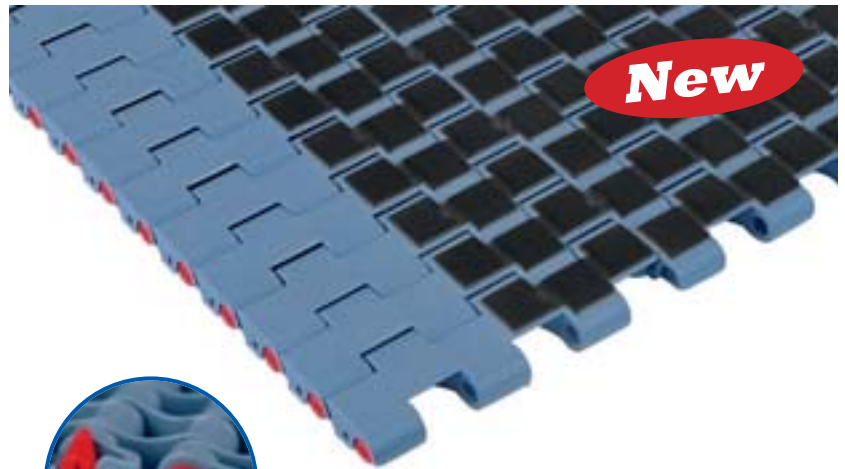




Tappeto Modulare 530 GT, H=8,7 M=3" / Modular Belt Series 530 GT, H=8,7 M=3" / Modulare Mattenkette 530 GT, H=8,7 M=3"

Series	Material	Width	Version
5325	*	0009	A
5325	*	0012	A
5325	*	0015	A
5325	*	0018	A
5325	*	0021	A
5325	*	0024	A
5325	*	0027	A
5325	*	0030	A

Series	Material	Width	Version
5325	*	0033	A
5325	*	0036	A
5325	*	0039	A
5325	*	0042	A
5325	*	0045	A
5325	*	0048	A
5325	*	0051	A
5325	*	0054	A



**VERSION A - STANDARD**

CODE STRUCTURE GUIDE			
<b>5325</b>	<b>01</b>	<b>0027</b>	<b>A</b>
<i>Series</i>	<i>Material</i>	<i>Width</i>	<i>Version</i>

**\* Material**

**01 LFA - Acetal Resin**



**Max w. load:** 21500 N/m  
**Weight:** 7,8 kg/m<sup>2</sup>  
**Temp. range:** dry -40÷80 °C  
wet -40÷65 °C  
**Pin material:** PBT white  
**Hardness:** 75 ShA

**02 PP - Polypropylene**



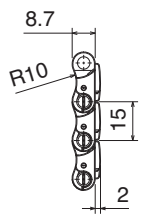
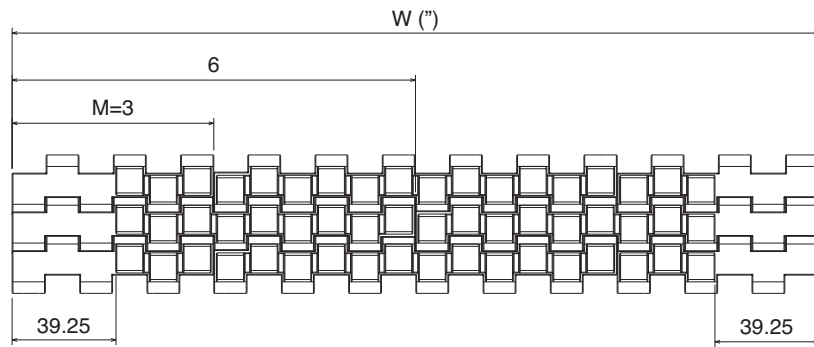
**Max w. load:** 13000 N/m  
**Weight:** 7,5 kg/m<sup>2</sup>  
**Temp. range:** dry 4÷80 °C  
wet 4÷65 °C  
**Pin material:** PP blu  
**Hardness:** 75 ShA

**03 MX - PBT**



**Max w. load:** 20700 N/m  
**Weight:** 7,8 kg/m<sup>2</sup>  
**Temp. range:** dry -40÷120 °C  
wet -40÷60 °C  
**Pin material:** POM grey  
**Hardness:** 75 ShA

On request also available in other materials and widths

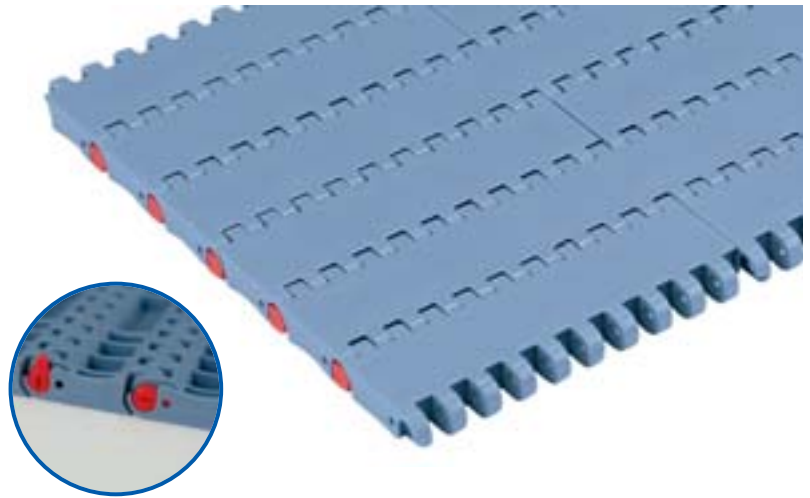




Tappeto Modulare 550 FT, H=8,7 M=85 / Modular Belt Series 550 FT, H=8,7 M=85 / Modulare Mattenkette 550 FT, H=8,7 M=85

Series	Material	Width	Version
5221	*	0085	A
5221	*	0170	A
5221	*	0255	A
5221	*	0340	A
5221	*	0425	A
5221	*	0510	A
5221	*	0595	A
5221	*	0680	A
5221	*	0765	A

Series	Material	Width	Version
5221	*	0850	A
5221	*	0935	A
5221	*	1020	A
5221	*	1105	A
5221	*	1190	A
5221	*	1275	A
5221	*	1360	A
5221	*	1445	A
5221	*	1530	A

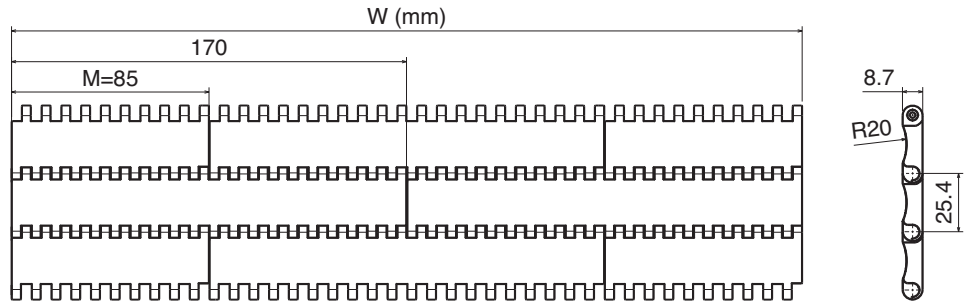


CODE STRUCTURE GUIDE			
5221	08	0255	A
Series	Material	Width	Version

VERSION A - STANDARD

One Track Belt - K330

Series	Material	Width	Version
5221	*	9330	A
5221	*	9330	C



\* Material

**01 LFA - Acetal Resin**



Max working load: 27500 N/m  
Weight: 8,5 kg/m<sup>2</sup>  
Temperature range:  
dry -40÷80 °C  
wet -40÷65 °C  
Pin material: PBT white

**03 MX - PBT**



Max working load: 22000 N/m  
Weight: 8,2 kg/m<sup>2</sup>  
Temperature range:  
dry -40÷120 °C  
wet -40÷60 °C  
Pin material: POM grey

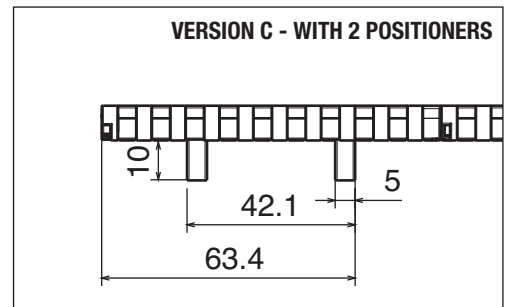
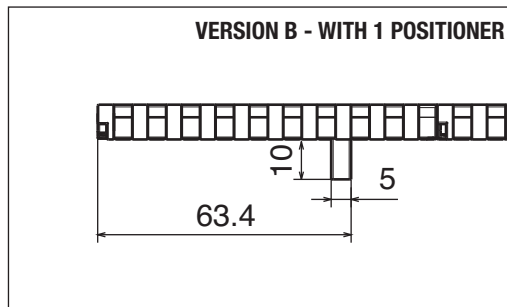
**08 MK**

Super Performance Acetal



Max working load: 26500 N/m  
Weight: 8,5 kg/m<sup>2</sup>  
Temperature range:  
dry -40÷80 °C  
wet -40÷65 °C  
Pin material: PBT white

On request also available in other materials and widths



Series	Material	Width	Version
5221	*	0085	B
5221	*	0170	B
5221	*	0255	B
5221	*	0340	B
5221	*	0425	B
5221	*	0510	B
5221	*	0595	B
5221	*	0680	B
5221	*	0765	B

Series	Material	Width	Version
5221	*	0850	B
5221	*	0935	B
5221	*	1020	B
5221	*	1105	B
5221	*	1190	B
5221	*	1275	B
5221	*	1360	B
5221	*	1445	B
5221	*	1530	B

Series	Material	Width	Version
5221	*	0085	C
5221	*	0170	C
5221	*	0255	C
5221	*	0340	C
5221	*	0425	C
5221	*	0510	C
5221	*	0595	C
5221	*	0680	C
5221	*	0765	C

Series	Material	Width	Version
5221	*	0850	C
5221	*	0935	C
5221	*	1020	C
5221	*	1105	C
5221	*	1190	C
5221	*	1275	C
5221	*	1360	C
5221	*	1445	C
5221	*	1530	C

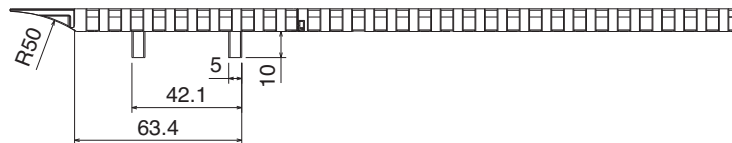
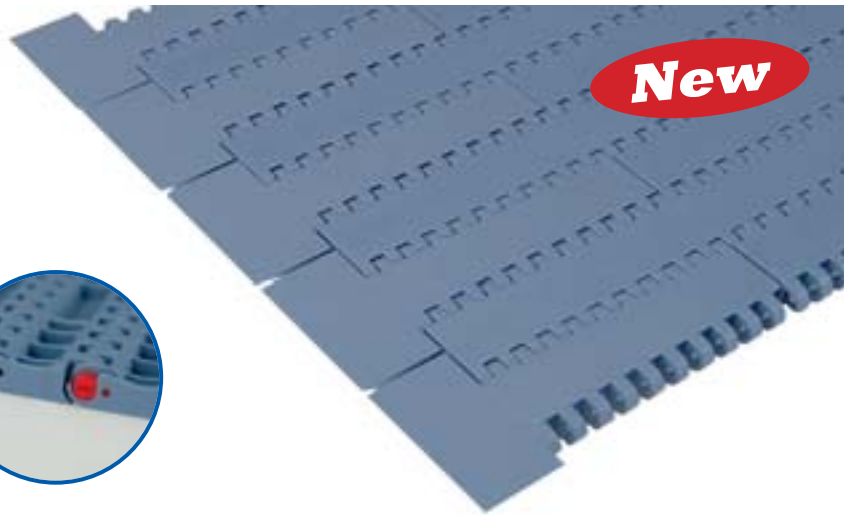




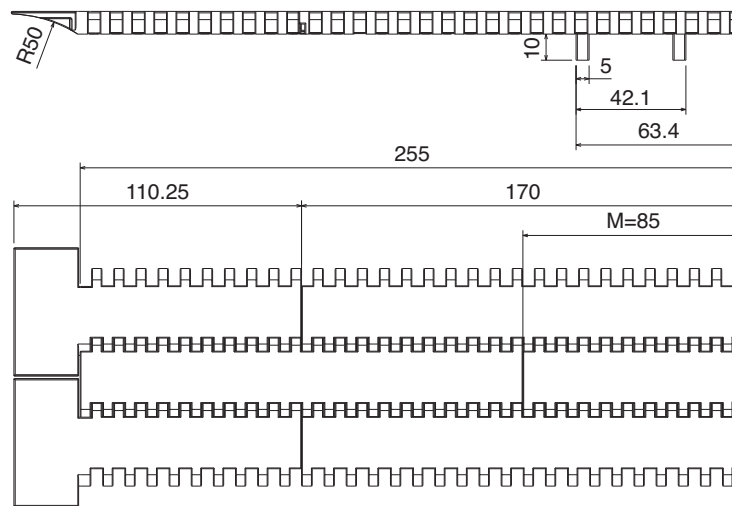


Tappeto Modulare 550 FTT, H=8,7 M=85 / Modular Belt Series 550 FTT, H=8,7 M=85 / Modulare Mattenkette 550 FTT, H=8,7 M=85

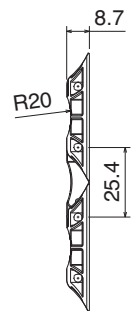
CODE STRUCTURE GUIDE			
<b>5226</b>	<b>03</b>	<b>0255</b>	<b>B</b>
<i>Series</i>	<i>Material</i>	<i>Width</i>	<i>Version</i>



VERSION CN



VERSION CO



**\* Material**

**01 LFA - Acetal Resin**



**Max working load:** 27500 N/m  
**Weight:** 8,5 kg/m<sup>2</sup>  
**Temperature range:**  
dry -40÷80 °C  
wet -40÷65 °C  
**Pin material:** PBT white

**03 MX - PBT**



**Max working load:** 22000 N/m  
**Weight:** 8,2 kg/m<sup>2</sup>  
**Temperature range:**  
dry -40÷120 °C  
wet -40÷60 °C  
**Pin material:** POM grey

**08 MK**

**Super Performance Acetal**



**Max working load:** 26500 N/m  
**Weight:** 8,5 kg/m<sup>2</sup>  
**Temperature range:**  
dry -40÷80 °C  
wet -40÷65 °C  
**Pin material:** PBT white

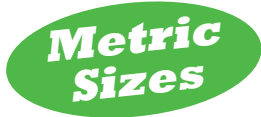
*On request also available in other materials and widths*

Series	Material	Width	Version
5226	*	0085	CN
5226	*	0170	CN
5226	*	0255	CN

Series	Material	Width	Version
5226	*	0085	CO
5226	*	0170	CO
5226	*	0255	CO



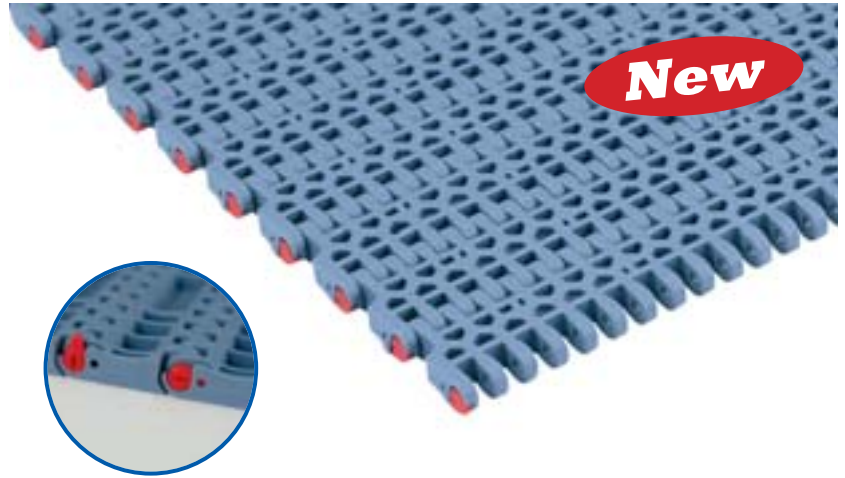
pg 114-115



Tappeto Modulare 550 FG, H=8,7 M=85 / Modular Belt Series 550 FG, H=8,7 M=85 / Modulare Mattenkette 550 FG, H=8,7 M=85

Series	Material	Width	Version
5222	*	0085	A
5222	*	0170	A
5222	*	0255	A
5222	*	0340	A
5222	*	0425	A
5222	*	0510	A
5222	*	0595	A
5222	*	0680	A
5222	*	0765	A

Series	Material	Width	Version
5222	*	0850	A
5222	*	0935	A
5222	*	1020	A
5222	*	1105	A
5222	*	1190	A
5222	*	1275	A
5222	*	1360	A
5222	*	1445	A
5222	*	1530	A

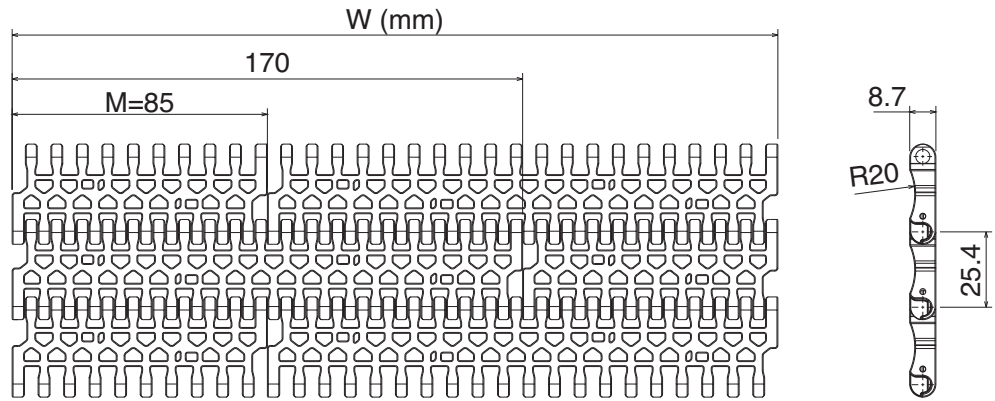


CODE STRUCTURE GUIDE			
5222	01	0850	C
Series	Material	Width	Version

**VERSION A - STANDARD**

**One Track Belt - K330**

Series	Material	Width	Version
5222	*	9330	A
5222	*	9330	C



**\* Material**

**01 LFA - Acetal Resin**



Max working load: 27500 N/m  
Weight: 7,0 kg/m<sup>2</sup>  
Temperature range:  
dry -40÷80 °C  
wet -40÷65 °C  
Pin material: PBT white

**03 MX - PBT**



Max working load: 22000 N/m  
Weight: 6,7 kg/m<sup>2</sup>  
Temperature range:  
dry -40÷120 °C  
wet -40÷60 °C  
Pin material: POM grey

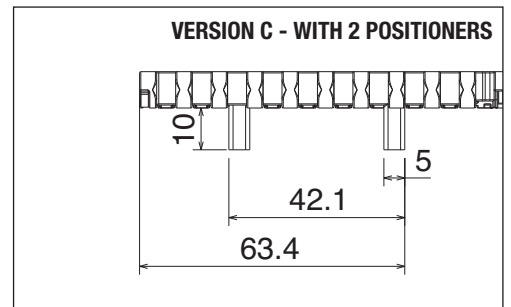
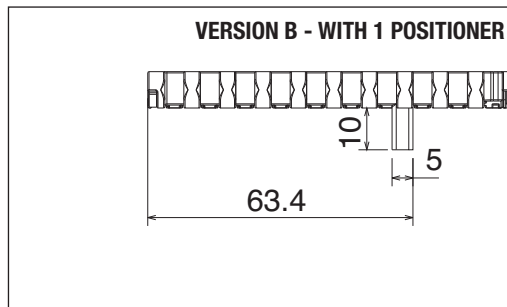
**08 MK**

**Super Performance Acetal**



Max working load: 26500 N/m  
Weight: 7,0 kg/m<sup>2</sup>  
Temperature range:  
dry -40÷80 °C  
wet -40÷65 °C  
Pin material: PBT white

On request also available in other materials and widths



Series	Material	Width	Version
5222	*	0085	B
5222	*	0170	B
5222	*	0255	B
5222	*	0340	B
5222	*	0425	B
5222	*	0510	B
5222	*	0595	B
5222	*	0680	B
5222	*	0765	B

Series	Material	Width	Version
5222	*	0850	B
5222	*	0935	B
5222	*	1020	B
5222	*	1105	B
5222	*	1190	B
5222	*	1275	B
5222	*	1360	B
5222	*	1445	B
5222	*	1530	B

Series	Material	Width	Version
5222	*	0085	C
5222	*	0170	C
5222	*	0255	C
5222	*	0340	C
5222	*	0425	C
5222	*	0510	C
5222	*	0595	C
5222	*	0680	C
5222	*	0765	C

Series	Material	Width	Version
5222	*	0850	C
5222	*	0935	C
5222	*	1020	C
5222	*	1105	C
5222	*	1190	C
5222	*	1275	C
5222	*	1360	C
5222	*	1445	C
5222	*	1530	C

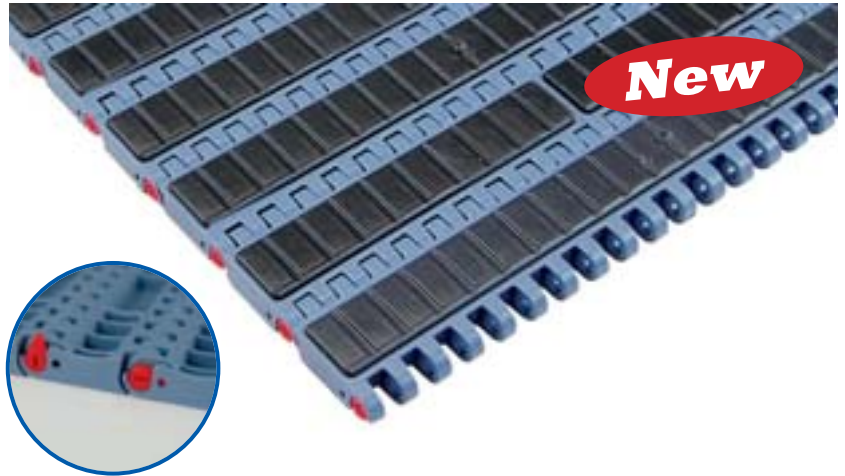




Tappeto Modulare 550 GT, H=8,7 M=85 / Modular Belt Series 550 GT, H=8,7 M=85 / Modulare Mattenkette 550 GT, H=8,7 M=85

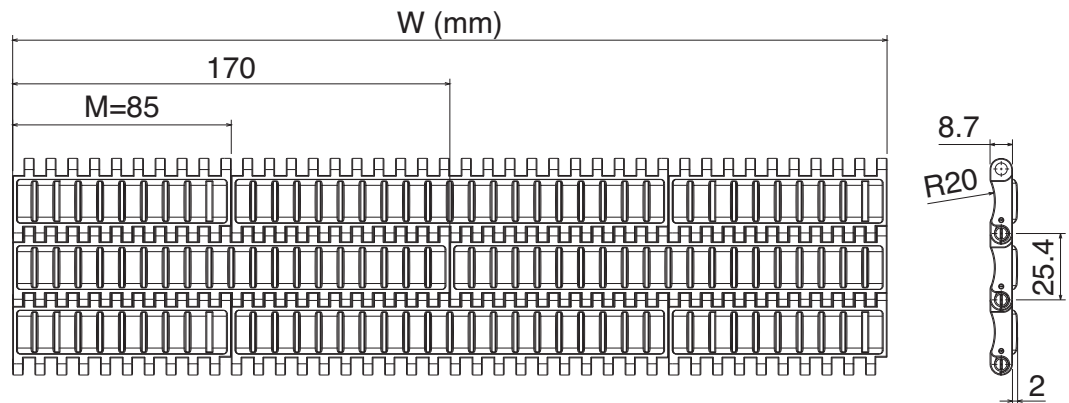
Series	Material	Width	Version
5223	*	0085	A
5223	*	0170	A
5223	*	0255	A
5223	*	0340	A
5223	*	0425	A
5223	*	0510	A
5223	*	0595	A
5223	*	0680	A
5223	*	0765	A

Series	Material	Width	Version
5223	*	0850	A
5223	*	0935	A
5223	*	1020	A
5223	*	1105	A
5223	*	1190	A
5223	*	1275	A
5223	*	1360	A
5223	*	1445	A
5223	*	1530	A



CODE STRUCTURE GUIDE			
5223	02	1020	A
Series	Material	Width	Version

VERSION A - STANDARD



**\* Material**

**01 LFA - Acetal Resin**

Max working load: 27500 N/m  
Weight: 10,1 kg/m<sup>2</sup>  
Temp. range: dry -40÷80 °C  
wet -40÷65 °C  
Pin material: PBT white  
Hardness: 75 ShA

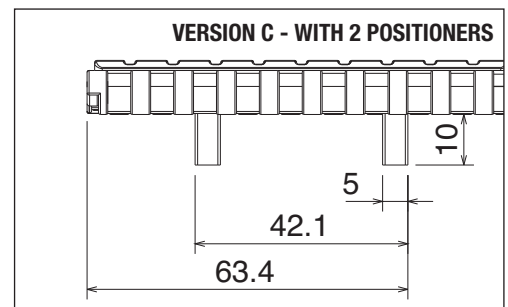
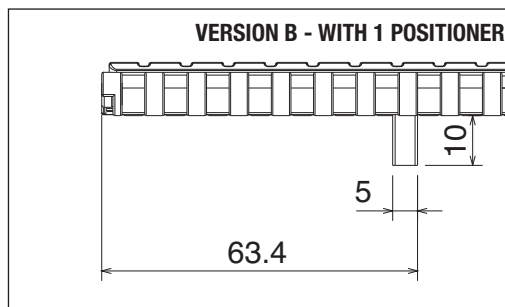
**02 PP - Polypropylene**

Max working load: 16500 N/m  
Weight: 8,4 kg/m<sup>2</sup>  
Temp. range: dry 4÷80 °C  
wet 4÷65 °C  
Pin material: PP blu  
Hardness: 75 ShA

**03 MX - PBT**

Max working load: 21500 N/m  
Weight: 10,5 kg/m<sup>2</sup>  
Temp. range: dry -40÷120 °C  
wet -40÷60 °C  
Pin material: POM grey  
Hardness: 75 ShA

On request also available in other materials and widths



Series	Material	Width	Version
5223	*	0085	B
5223	*	0170	B
5223	*	0255	B
5223	*	0340	B
5223	*	0425	B
5223	*	0510	B
5223	*	0595	B
5223	*	0680	B
5223	*	0765	B

Series	Material	Width	Version
5223	*	0850	B
5223	*	0935	B
5223	*	1020	B
5223	*	1105	B
5223	*	1190	B
5223	*	1275	B
5223	*	1360	B
5223	*	1445	B
5223	*	1530	B

Series	Material	Width	Version
5223	*	0085	C
5223	*	0170	C
5223	*	0255	C
5223	*	0340	C
5223	*	0425	C
5223	*	0510	C
5223	*	0595	C
5223	*	0680	C
5223	*	0765	C

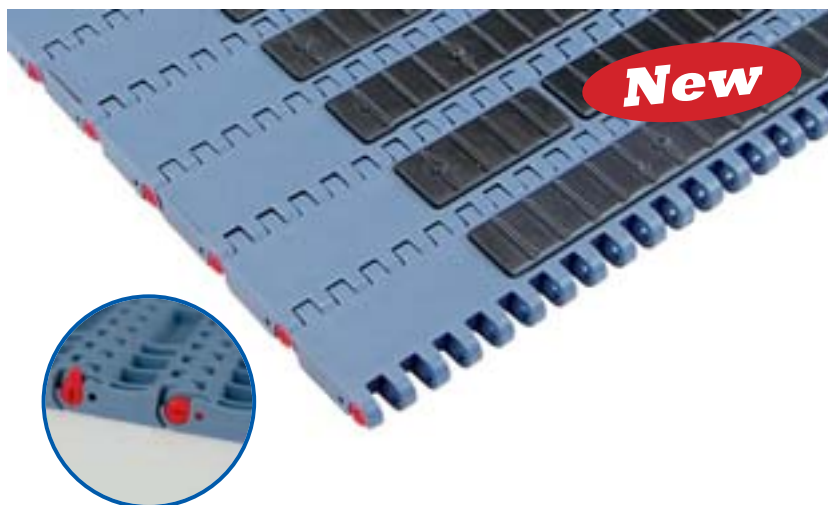
Series	Material	Width	Version
5223	*	0850	C
5223	*	0935	C
5223	*	1020	C
5223	*	1105	C
5223	*	1190	C
5223	*	1275	C
5223	*	1360	C
5223	*	1445	C
5223	*	1530	C



Tappeto Modulare 550 GT, H=8,7 M=85 / Modular Belt Series 550 GT, H=8,7 M=85 / Modulare Mattenkette 550 GT, H=8,7 M=85

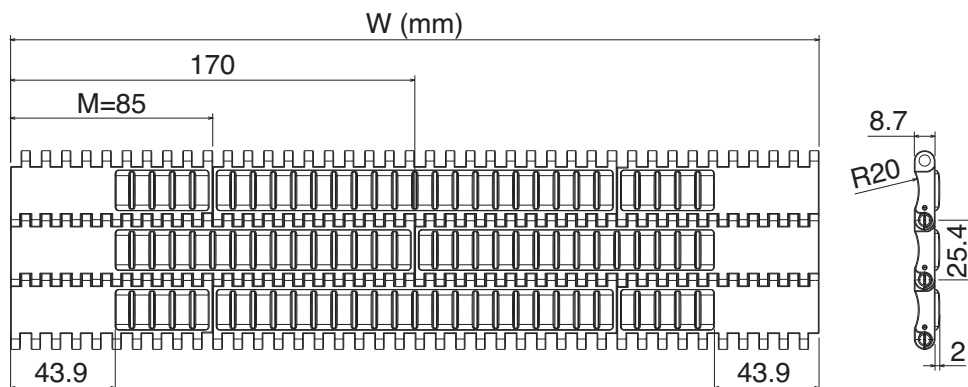
Series	Material	Width	Version
5225	*	0255	A
5225	*	0340	A
5225	*	0425	A
5225	*	0510	A
5225	*	0595	A
5225	*	0680	A
5225	*	0765	A
5225	*	0850	A

Series	Material	Width	Version
5225	*	0935	A
5225	*	1020	A
5225	*	1105	A
5225	*	1190	A
5225	*	1275	A
5225	*	1360	A
5225	*	1445	A
5225	*	1530	A



CODE STRUCTURE GUIDE			
5225	02	0595	B
Series	Material	Width	Version

**VERSION A - STANDARD**



**\* Material**

**01 LFA - Acetal Resin**



Max working load: 27500 N/m  
Weight: 9,8 kg/m<sup>2</sup>  
Temp. range: dry -40÷80 °C  
wet -40÷65 °C  
Pin material: PBT white  
Hardness: 75 ShA

**02 PP - Polypropylene**



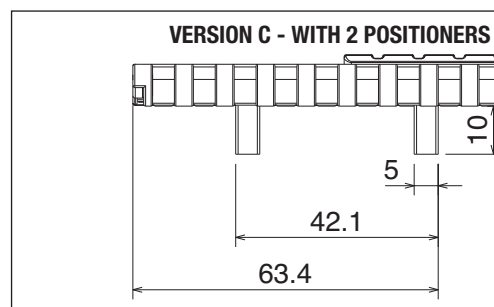
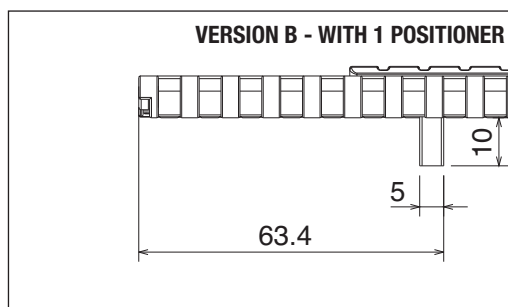
Max working load: 16500 N/m  
Weight: 8,2 kg/m<sup>2</sup>  
Temp. range: dry 4-80 °C  
wet 4-65 °C  
Pin material: PP blu  
Hardness: 75 ShA

**03 MX - PBT**



Max working load: 21500 N/m  
Weight: 10,3 kg/m<sup>2</sup>  
Temp. range: dry -40÷120 °C  
wet -40÷60 °C  
Pin material: POM grey  
Hardness: 75 ShA

On request also available in other materials and widths



Series	Material	Width	Version
5225	*	0255	B
5225	*	0340	B
5225	*	0425	B
5225	*	0510	B
5225	*	0595	B
5225	*	0680	B
5225	*	0765	B
5225	*	0850	B

Series	Material	Width	Version
5225	*	0935	B
5225	*	1020	B
5225	*	1105	B
5225	*	1190	B
5225	*	1275	B
5225	*	1360	B
5225	*	1445	B
5225	*	1530	B

Series	Material	Width	Version
5225	*	0255	C
5225	*	0340	C
5225	*	0425	C
5225	*	0510	C
5225	*	0595	C
5225	*	0680	C
5225	*	0765	C
5225	*	0850	C

Series	Material	Width	Version
5225	*	0935	C
5225	*	1020	C
5225	*	1105	C
5225	*	1190	C
5225	*	1275	C
5225	*	1360	C
5225	*	1445	C
5225	*	1530	C

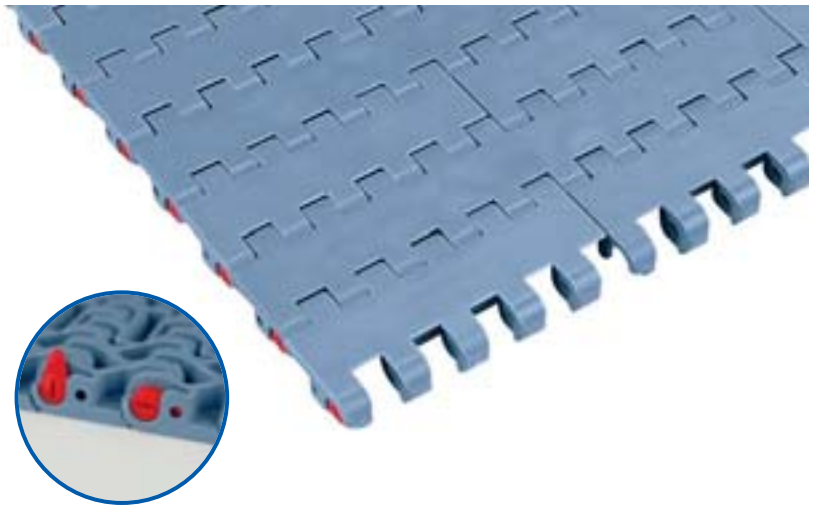




Tappeto Modulare 551 FT, H=12,7 M=85 / Modular Belt Series 551 FT, H=12,7 M=85 / Modulare Mattenkette 551 FT, H=12,7 M=85

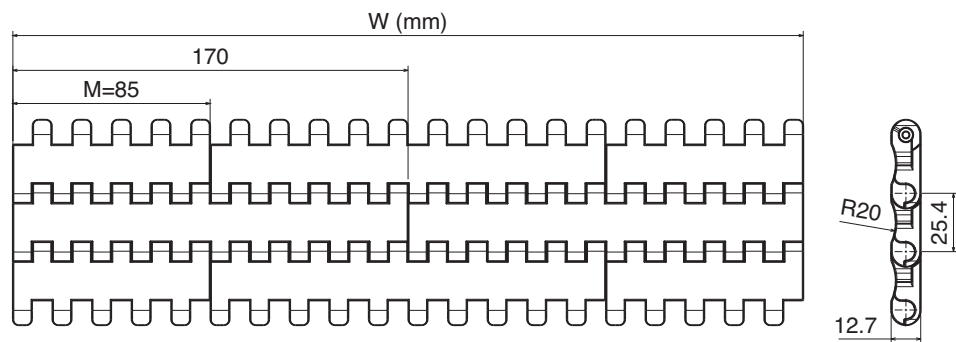
Series	Material	Width	Version
5231	*	0085	A
5231	*	0170	A
5231	*	0255	A
5231	*	0340	A
5231	*	0425	A
5231	*	0510	A
5231	*	0595	A
5231	*	0680	A
5231	*	0765	A

Series	Material	Width	Version
5231	*	0850	A
5231	*	0935	A
5231	*	1020	A
5231	*	1105	A
5231	*	1190	A
5231	*	1275	A
5231	*	1360	A
5231	*	1445	A
5231	*	1530	A



CODE STRUCTURE GUIDE			
5231	01	0680	C
Series	Material	Width	Version

VERSION A - STANDARD



**\* Material**

**01 LFA - Acetal Resin**

Max working load: 41500 N/m  
Weight: 12,5 kg/m<sup>2</sup>  
Temperature range:  
dry -40÷80 °C  
wet 0÷65 °C  
Pin material: PBT white

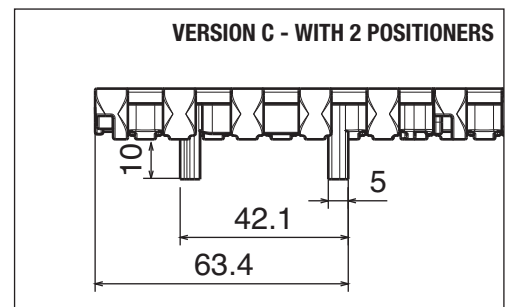
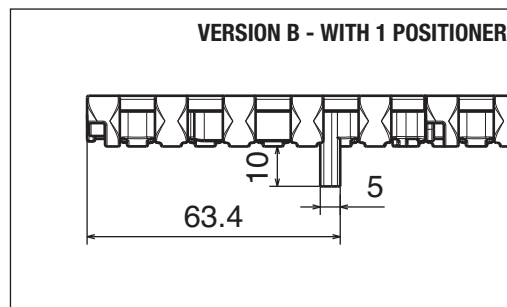
**03 MX - PBT**

Max working load: 33500 N/m  
Weight: 12,0 kg/m<sup>2</sup>  
Temperature range:  
dry -40÷120 °C  
wet -40÷60 °C  
Pin material: POM grey

**08 MK Super Performance Acetal**

Max working load: 40000 N/m  
Weight: 12,5 kg/m<sup>2</sup>  
Temperature range:  
dry -40÷80 °C  
wet 0÷65 °C  
Pin material: PBT white

*On request also available in other materials and widths*



Series	Material	Width	Version
5231	*	0085	B
5231	*	0170	B
5231	*	0255	B
5231	*	0340	B
5231	*	0425	B
5231	*	0510	B
5231	*	0595	B
5231	*	0680	B
5231	*	0765	B

Series	Material	Width	Version
5231	*	0850	B
5231	*	0935	B
5231	*	1020	B
5231	*	1105	B
5231	*	1190	B
5231	*	1275	B
5231	*	1360	B
5231	*	1445	B
5231	*	1530	B

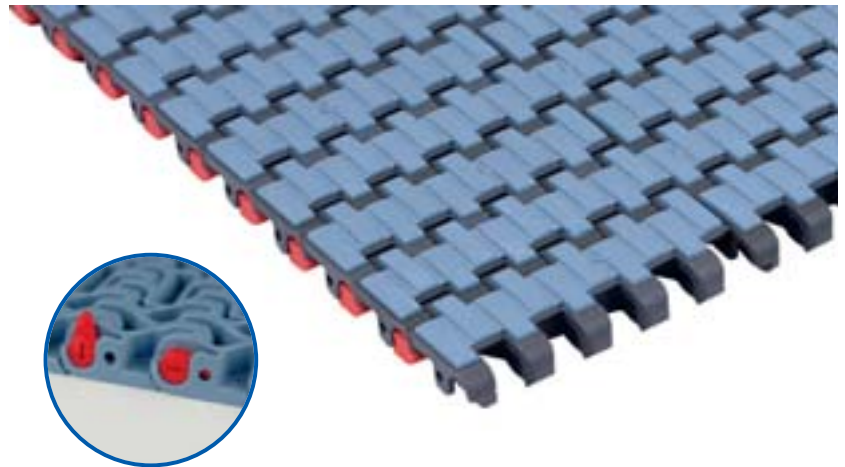
Series	Material	Width	Version
5231	*	0085	C
5231	*	0170	C
5231	*	0255	C
5231	*	0340	C
5231	*	0425	C
5231	*	0510	C
5231	*	0595	C
5231	*	0680	C
5231	*	0765	C

Series	Material	Width	Version
5231	*	0850	C
5231	*	0935	C
5231	*	1020	C
5231	*	1105	C
5231	*	1190	C
5231	*	1275	C
5231	*	1360	C
5231	*	1445	C
5231	*	1530	C



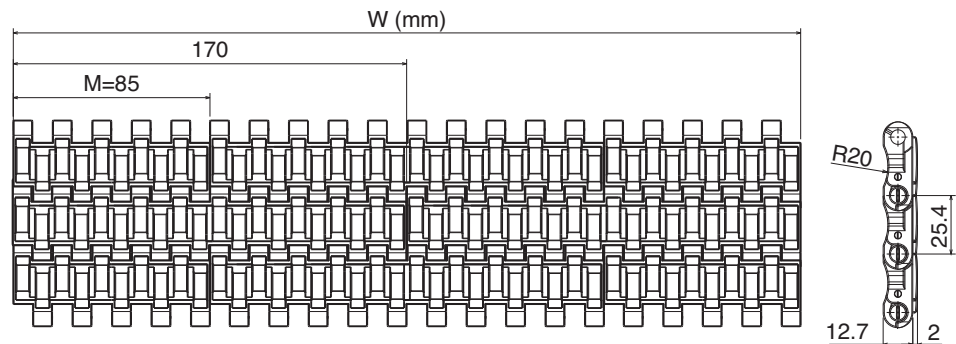
Tappeto Modulare 551 GT, H=12,7 M=85 / Modular Belt Series 551 GT, H=12,7 M=85 / Modulare Mattenkette 551 GT, H=12,7 M=85

Series	Material	Width	Version	Series	Material	Width	Version
5233	*	0085	A	5233	*	0850	A
5233	*	0170	A	5233	*	0935	A
5233	*	0255	A	5233	*	1020	A
5233	*	0340	A	5233	*	1105	A
5233	*	0425	A	5233	*	1190	A
5233	*	0510	A	5233	*	1275	A
5233	*	0595	A	5233	*	1360	A
5233	*	0680	A	5233	*	1445	A
5233	*	0765	A	5233	*	1530	A



CODE STRUCTURE GUIDE			
5233	01	0255	B
Series	Material	Width	Version

### VERSION A - STANDARD



#### \* Material

##### 01 LFA - Acetal Resin



Max working load: 41500 N/m  
Weight: 13,5 kg/m<sup>2</sup>  
Temp. range: dry -40÷80 °C  
wet -40÷65 °C  
Pin material: PBT white  
Hardness: 75 ShA

##### 02 PP - Polypropylene



Max working load: 27000 N/m  
Weight: 11,00 kg/m<sup>2</sup>  
Temp. range: dry 4÷65 °C  
wet 4÷65 °C  
Pin material: PP blu  
Hardness: 75 ShA

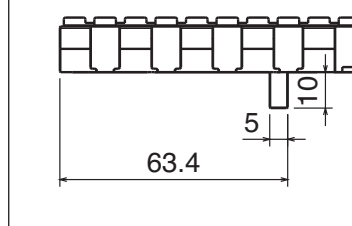
##### 03 MX - PBT



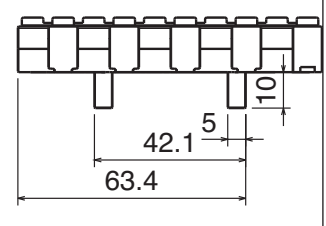
Max working load: 33500 N/m  
Weight: 12,7 kg/m<sup>2</sup>  
Temp. range: dry -40÷120 °C  
wet -40÷60 °C  
Pin material: POM grey  
Hardness: 75 ShA

On request also available in other materials and widths

#### VERSION B - WITH 1 POSITIONER



#### VERSION C - WITH 2 POSITIONERS



Series	Material	Width	Version
5233	*	0085	B
5233	*	0170	B
5233	*	0255	B
5233	*	0340	B
5233	*	0425	B
5233	*	0510	B
5233	*	0595	B
5233	*	0680	B
5233	*	0765	B

Series	Material	Width	Version
5233	*	0850	B
5233	*	0935	B
5233	*	1020	B
5233	*	1105	B
5233	*	1190	B
5233	*	1275	B
5233	*	1360	B
5233	*	1445	B
5233	*	1530	B

Series	Material	Width	Version
5233	*	0085	C
5233	*	0170	C
5233	*	0255	C
5233	*	0340	C
5233	*	0425	C
5233	*	0510	C
5233	*	0595	C
5233	*	0680	C
5233	*	0765	C

Series	Material	Width	Version
5233	*	0850	C
5233	*	0935	C
5233	*	1020	C
5233	*	1105	C
5233	*	1190	C
5233	*	1275	C
5233	*	1360	C
5233	*	1445	C
5233	*	1530	C

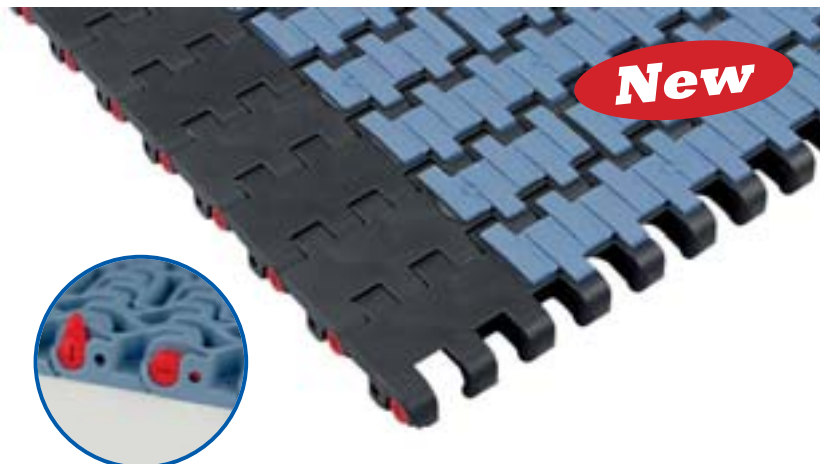




Tappeto Modulare 551 GT, H=12,7 M=85 / Modular Belt Series 551 GT, H=12,7 M=85 / Modulare Mattenkette 551 GT, H=12,7 M=85

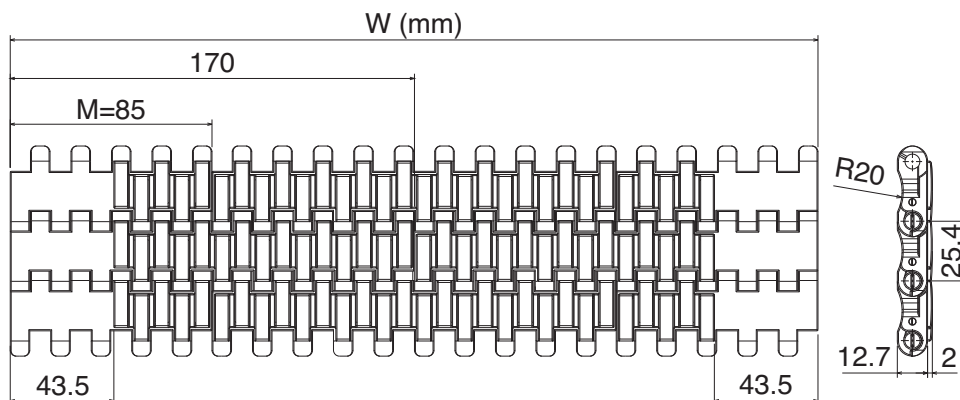
Series	Material	Width	Version
5235	*	0255	A
5235	*	0340	A
5235	*	0425	A
5235	*	0510	A
5235	*	0595	A
5235	*	0680	A
5235	*	0765	A
5235	*	0850	A

Series	Material	Width	Version
5235	*	0935	A
5235	*	1020	A
5235	*	1105	A
5235	*	1190	A
5235	*	1275	A
5235	*	1360	A
5235	*	1445	A
5235	*	1530	A



CODE STRUCTURE GUIDE			
5235	02	0765	A
Series	Material	Width	Version

### VERSION A - STANDARD



**\* Material**

**01 LFA - Acetal Resin**

Max working load: 41500 N/m  
Weight: 13,2 kg/m<sup>2</sup>  
Temp. range: dry -40÷80 °C  
wet -40÷65 °C  
Pin material: PBT white  
Hardness: 75 ShA

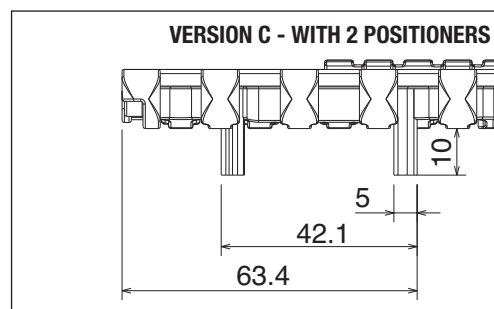
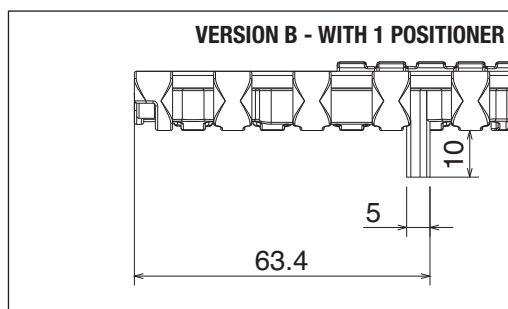
**02 PP - Polypropylene**

Max working load: 27000 N/m  
Weight: 10,8 kg/m<sup>2</sup>  
Temp. range: dry 4÷65 °C  
wet 4÷65 °C  
Pin material: PP blu  
Hardness: 75 ShA

**03 MX - PBT**

Max working load: 33500 N/m  
Weight: 12,5 kg/m<sup>2</sup>  
Temp. range: dry -40÷120 °C  
wet -40÷60 °C  
Pin material: POM grey  
Hardness: 75 ShA

*On request also available in other materials and widths*



Series	Material	Width	Version
5235	*	0255	B
5235	*	0340	B
5235	*	0425	B
5235	*	0510	B
5235	*	0595	B
5235	*	0680	B
5235	*	0765	B
5235	*	0850	B

Series	Material	Width	Version
5235	*	0935	B
5235	*	1020	B
5235	*	1105	B
5235	*	1190	B
5235	*	1275	B
5235	*	1360	B
5235	*	1445	B
5235	*	1530	B

Series	Material	Width	Version
5235	*	0255	C
5235	*	0340	C
5235	*	0425	C
5235	*	0510	C
5235	*	0595	C
5235	*	0680	C
5235	*	0765	C
5235	*	0850	C

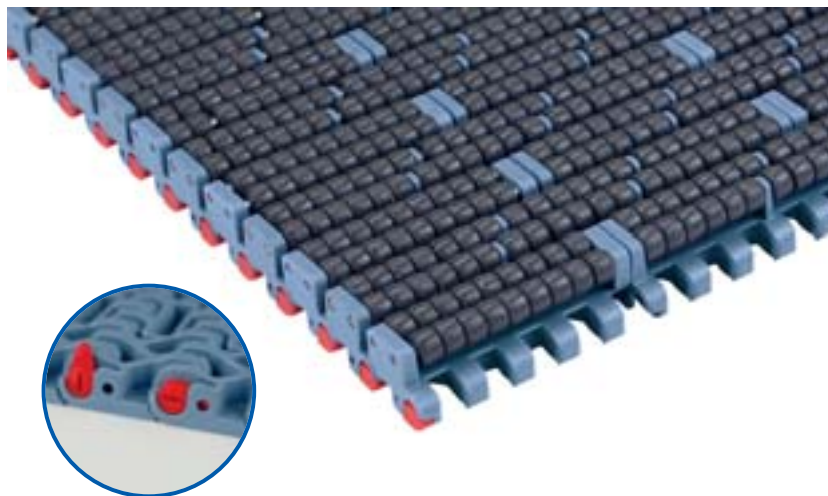
Series	Material	Width	Version
5235	*	0935	C
5235	*	1020	C
5235	*	1105	C
5235	*	1190	C
5235	*	1275	C
5235	*	1360	C
5235	*	1445	C
5235	*	1530	C



Tappeto Modulare 551 LBP, H=12,7 M=85 / Modular Belt Series 551 LBP, H=12,7 M=85 / Modulare Mattenkette 551 LBP, H=12,7 M=85

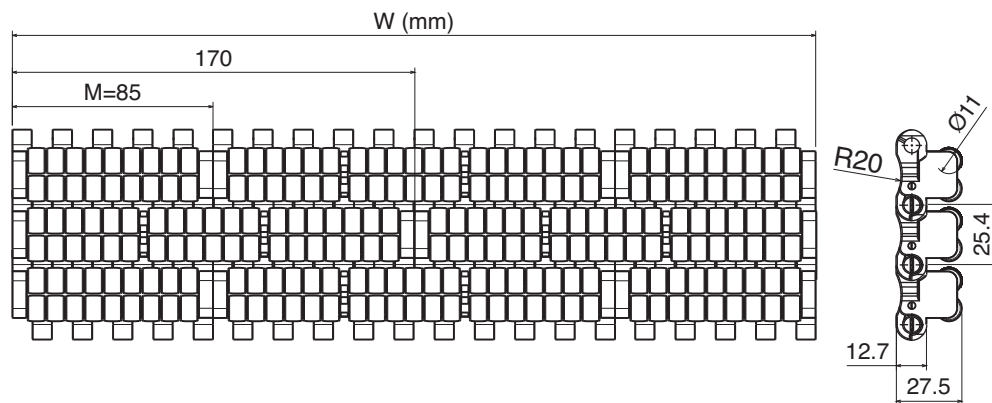
Series	Material	Width	Version
5234	*	0085	A
5234	*	0170	A
5234	*	0255	A
5234	*	0340	A
5234	*	0425	A
5234	*	0510	A
5234	*	0595	A
5234	*	0680	A
5234	*	0765	A

Series	Material	Width	Version
5234	*	0850	A
5234	*	0935	A
5234	*	1020	A
5234	*	1105	A
5234	*	1190	A
5234	*	1275	A
5234	*	1360	A
5234	*	1445	A
5234	*	1530	A



CODE STRUCTURE GUIDE			
<b>5234</b>	<b>01</b>	<b>0425</b>	<b>A</b>
Series	Material	Width	Version

**VERSION A - STANDARD**



**\* Material**

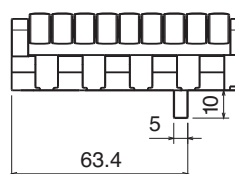
**01 LFA - Acetal Resin**



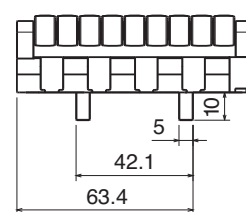
Max working load: 41500 N/m  
Weight: 26,9 kg/m<sup>2</sup>  
Temperature range:  
dry -40-80 °C  
wet 1-65 °C  
Pin material: PBT white

On request also available in other materials and widths

**VERSION B - WITH 1 POSITIONER**



**VERSION C - WITH 2 POSITIONERS**



Series	Material	Width	Version
5234	*	0085	B
5234	*	0170	B
5234	*	0255	B
5234	*	0340	B
5234	*	0425	B
5234	*	0510	B
5234	*	0595	B
5234	*	0680	B
5234	*	0765	B

Series	Material	Width	Version
5234	*	0850	B
5234	*	0935	B
5234	*	1020	B
5234	*	1105	B
5234	*	1190	B
5234	*	1275	B
5234	*	1360	B
5234	*	1445	B
5234	*	1530	B

Series	Material	Width	Version
5234	*	0085	C
5234	*	0170	C
5234	*	0255	C
5234	*	0340	C
5234	*	0425	C
5234	*	0510	C
5234	*	0595	C
5234	*	0680	C
5234	*	0765	C

Series	Material	Width	Version
5234	*	0850	C
5234	*	0935	C
5234	*	1020	C
5234	*	1105	C
5234	*	1190	C
5234	*	1275	C
5234	*	1360	C
5234	*	1445	C
5234	*	1530	C





**Metric  
Sizes**

Tappeto Modulare Curvilineo Serie 600, H=12,7 M=85 / Side Flex Modular Belt Series 600, H=12,7 M=85 / Kurvengängige Mattenkette Serie 600, H=12,7 M=85

**\* Material**

**01 LFA - Acetal Resin**



**Max working load:**  
straight 30000N/m  
curve 2500N  
**Weight:** 7,7 kg/m<sup>2</sup>  
**Temperature range:**  
dry -40÷80 °C  
wet 1÷65 °C  
**Pin material:** PBT white

**03 MX - PBT**



**Max working load:**  
straight 24000N/m  
curve 2000N  
**Weight:** 7,5 kg/m<sup>2</sup>  
**Temperature range:**  
dry -40÷120 °C  
wet -40÷60 °C  
**Pin material:** POM grey

**08 MK**

**Super Performance Acetal**



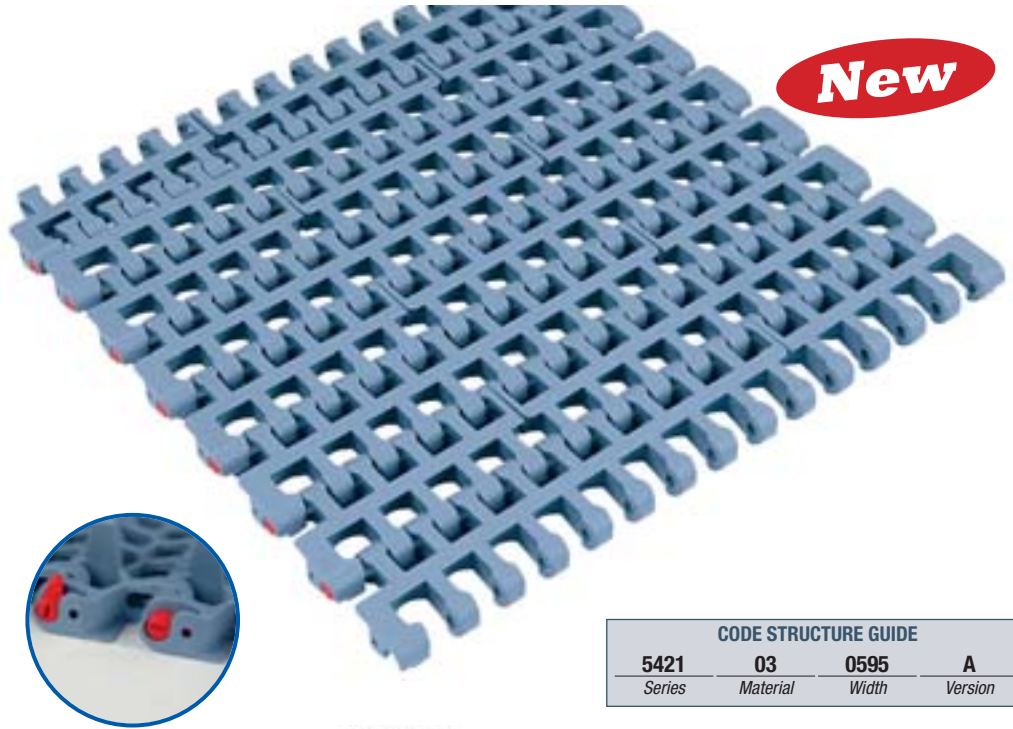
**Max working load:**  
straight 28800N/m  
curve 2400N  
**Weight:** 7,7 kg/m<sup>2</sup>  
**Temperature range:**  
dry -40÷80 °C  
wet 1÷65 °C  
**Pin material:** PBT white

On request also available in other materials and widths

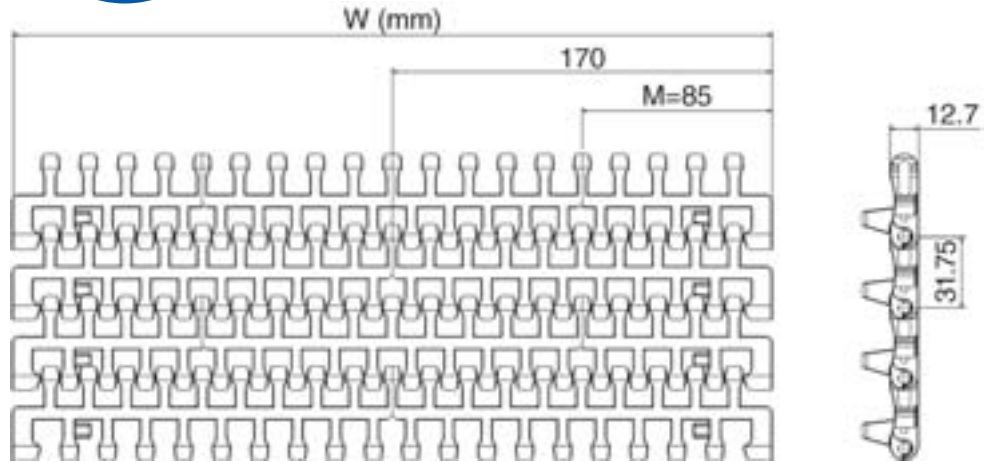


pg 120

**Min Radius  
2 times  
the width**



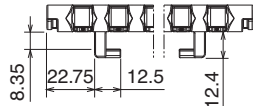
CODE STRUCTURE GUIDE			
5421	03	0595	A
Series	Material	Width	Version



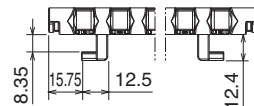
**STANDARD**



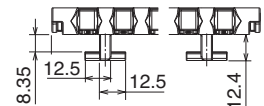
**TAB**



**REVERSE TAB**



**TtT (TAB reverse TAB)**



Series	Material	Width	Version	min radius
5421	*	0255	A	510
5421	*	0340	A	680
5421	*	0425	A	850
5421	*	0510	A	1020
5421	*	0595	A	1190
5421	*	0680	A	1360
5421	*	0765	A	1530
5421	*	0850	A	1700

Series	Material	Width	Version	min radius
5421	*	0255	B	510
5421	*	0340	B	680
5421	*	0425	B	850
5421	*	0510	B	1020
5421	*	0595	B	1190
5421	*	0680	B	1360
5421	*	0765	B	1530
5421	*	0850	B	1700

Series	Material	Width	Version	min radius
5421	*	0255	C	510
5421	*	0340	C	680
5421	*	0425	C	850
5421	*	0510	C	1020
5421	*	0595	C	1190
5421	*	0680	C	1360
5421	*	0765	C	1530
5421	*	0850	C	1700

Series	Material	Width	Version	min radius
5421	*	0255	D	510
5421	*	0340	D	680
5421	*	0425	D	850
5421	*	0510	D	1020
5421	*	0595	D	1190
5421	*	0680	D	1360
5421	*	0765	D	1530
5421	*	0850	D	1700

Tappeto Modulare 500 RR / Raised Rib Belt Series 500 RR / Modulare Mattenkette 500 RR


Series	Material	Width
1348	*	0060
1348	*	0063
1348	*	0066
1348	*	0069
1348	*	0072
1348	*	0075
1348	*	0078
1348	*	0081
1348	*	0084
1348	*	0087
1348	*	0090
1348	*	0093
1348	*	0096
1348	*	0099
1348	*	0102
1348	*	0105
1348	*	0108
1348	*	0111
1348	*	0114
1348	*	0117
1348	*	0120



CODE STRUCTURE GUIDE		
<b>1348</b>	<b>11</b>	<b>0090</b>
<i>Series</i>	<i>Material</i>	<i>Width</i>


**\* Material**

**02 PP - Polypropylene**



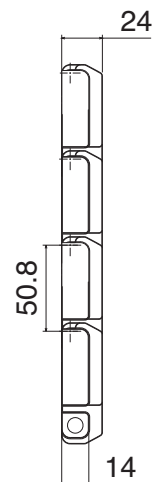
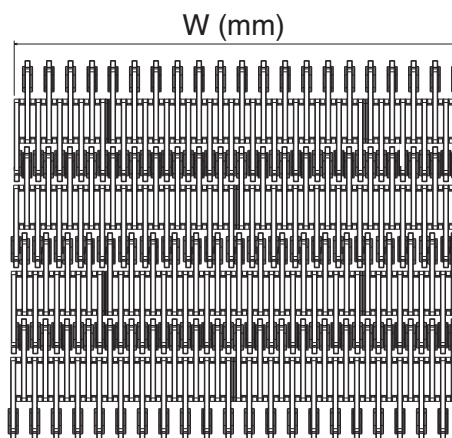
Max working load: 30000 N/m  
Weight: 10,65 kg/m<sup>2</sup>  
Temperature range: 4÷104° C  
Pin material: PP grey

**11 PPX - Polypropylene**



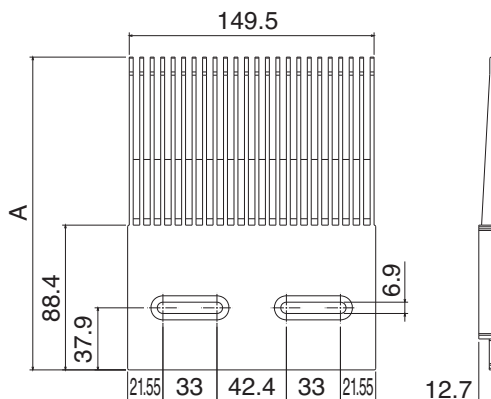
Max working load: 30000 N/m  
Weight: 10,65 kg/m<sup>2</sup>  
Temperature range: 4÷104° C  
Pin material: PP grey

*On request also available in other materials and widths*



Pettine / Combs / Fingerplatte

Part	Article-Nr.	A
389	38901	152
389	38902	190



## 260M

Catena curvilinea / Sideflexing belt/chain / Kurvengängige Mattenkette



Part	Article-Nr.	Ref.	A	Weight LFA
1151	11510103	260M K330	83,8	1,75
1151	11510105	260M K450	114,3	1,95

**\* Material**

**01 LFA - Acetal Resin**



Max w. load: 2000 N/m  
Sideflex radius: 500 mm  
Pin material: Ferritic SS

**03 MX - PBT**



Max w. load: 1600 N/m  
Sideflex radius: 500 mm  
Pin material: Ferritic SS

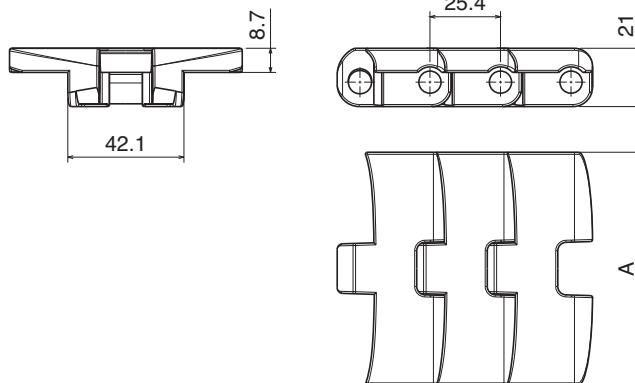
**08 MK**

**Super Performance Acetal**



Max w. load: 1950 N/m  
Sideflex radius: 500 mm  
Pin material: Ferritic SS

On request also available  
in other materials



**Magnetic System**

## 260M-FG

Catena curvilinea / Sideflexing belt/chain / Kurvengängige Mattenkette



Part	Article-Nr.	Ref.	A	Weight LFA
1154	11540103	260M-FG K330	83,8	1,50
1154	11540105	260M-FG K450	114,3	1,65

**New**

**\* Material**

**01 LFA - Acetal Resin**



Max w. load: 2000 N/m  
Sideflex radius: 500 mm  
Pin material: Ferritic SS

**03 MX - PBT**



Max w. load: 1600 N/m  
Sideflex radius: 500 mm  
Pin material: Ferritic SS

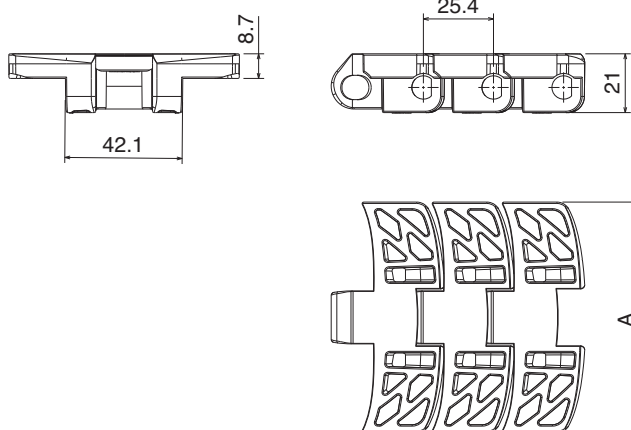
**08 MK**

**Super Performance Acetal**



Max w. load: 1950 N/m  
Sideflex radius: 500 mm  
Pin material: Ferritic SS

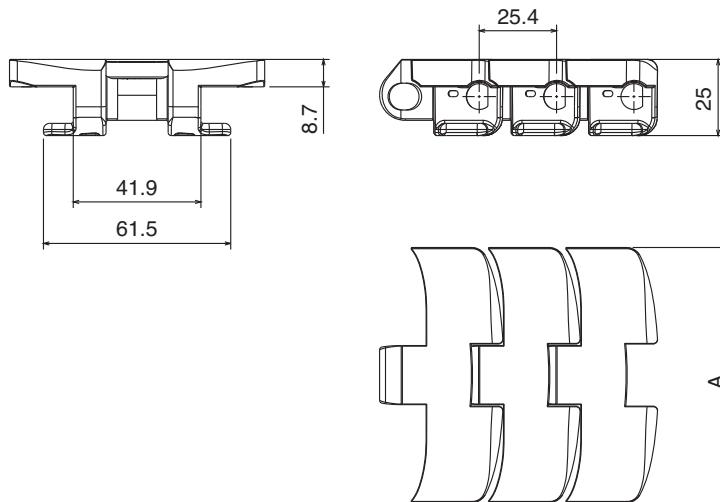
On request also available  
in other materials



**Magnetic System**

# 260TAB-261M

Catena Curvilinea  
Side Flex Belt/Chain  
Kurvengängige Mattenkette



## 260TAB

Catena curvilinea / Sideflexing belt/chain / Kurvengängige Mattenkette

Part	Article-Nr.	Ref.	A	Weight LFA
1152	11520103	260TAB K330	83,8	1,85
1152	11520105	260TAB K450	114,3	2,00

### \* Material

#### 01 LFA - Acetal Resin

Max w. load: 2000 N/m  
Sideflex radius: 500 mm  
Pin material: Martensitic SS

#### 03 MX - PBT

Max w. load: 1600 N/m  
Sideflex radius: 500 mm  
Pin material: Martensitic SS

#### 08 MK

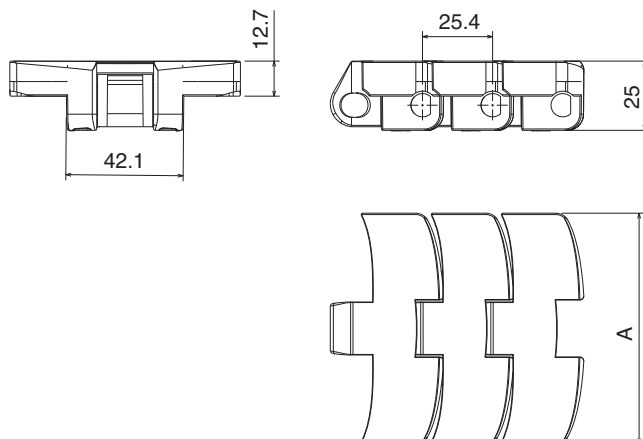
#### Super Performance Acetal

Max w. load: 1950 N/m  
Sideflex radius: 500 mm  
Pin material: Martensitic SS

On request also available  
in other materials



**Tab System**



## 261M

Catena curvilinea / Sideflexing belt/chain / Kurvengängige Mattenkette

Part	Article-Nr.	Ref.	A	Weight LFA
1153	11530103	261M K330	83,8	2,10
1153	11530105	261M K450	114,3	2,26

**New**

### \* Material

#### 01 LFA - Acetal Resin

Max w. load: 2200 N/m  
Sideflex radius: 500 mm  
Pin material: Ferritic SS

#### 03 MX - PBT

Max w. load: 1750 N/m  
Sideflex radius: 500 mm  
Pin material: Ferritic SS

#### 08 MK

#### Super Performance Acetal























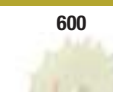

Max w. load: 2150 N/m  
Sideflex radius: 500 mm  
Pin material: Ferritic SS

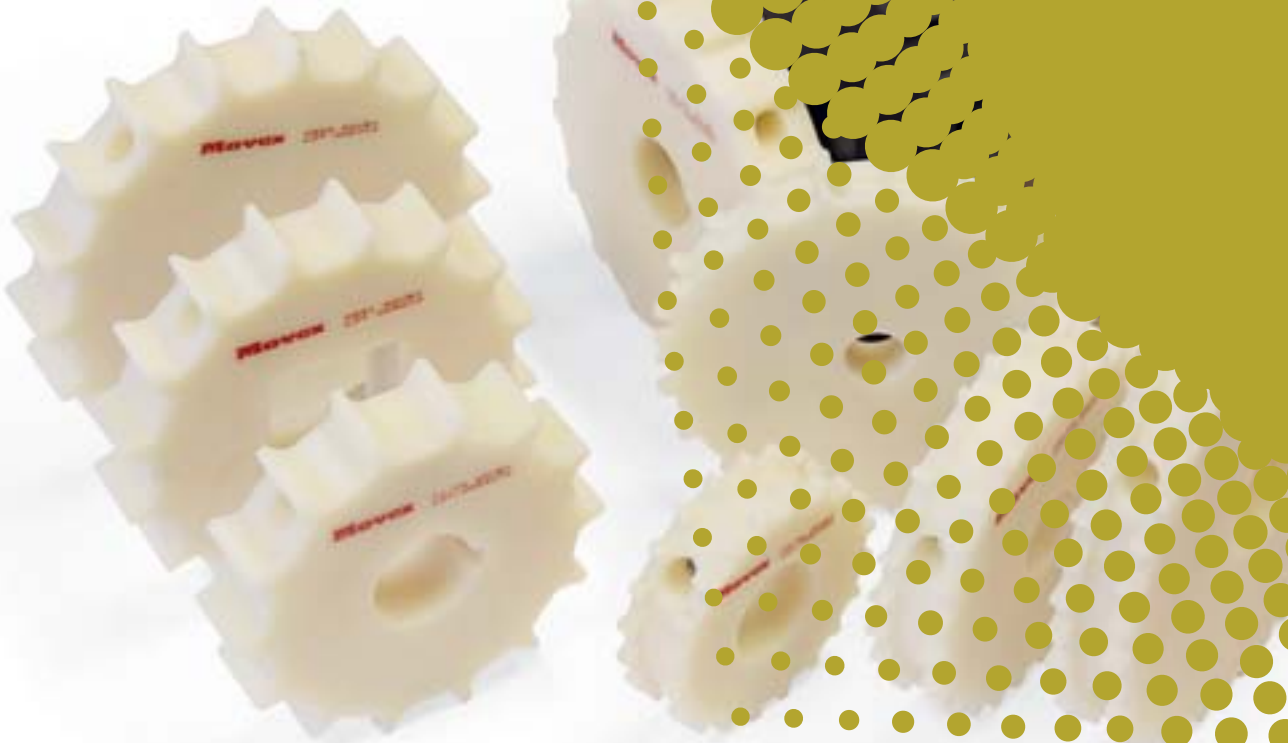
On request also available  
in other materials



**Magnetic System**

# belt sprockets

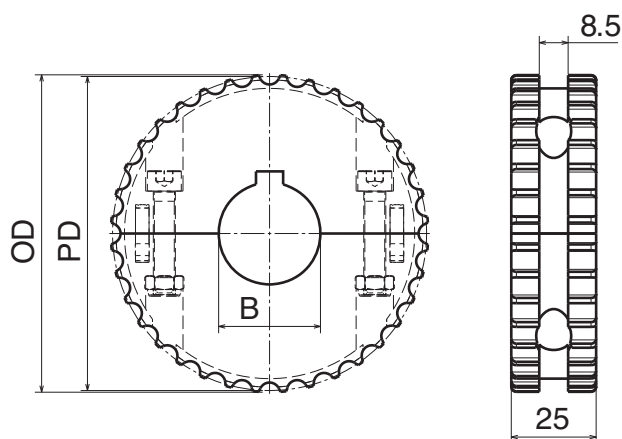
510  pag. 108	521  pag. 109	521  pag. 109	520  pag. 110	520  pag. 110	520  pag. 111
520  pag. 111	525-530  pag. 112	525-530  pag. 112	590  pag. 113	590  pag. 113	550  pag. 114
550  pag. 114	550  pag. 115	550  pag. 115	550  pag. 116	551  pag. 116	551  pag. 116
551  pag. 117	551  pag. 117	260-261  pag. 118	260-261  pag. 118	260-261  pag. 119	260-261  pag. 119
				600  pag. 120	600  pag. 120
					500RR  pag. 121



Materiale:	Material:	Materialien:
Poliammide	Polyamide	Polyamid
Viti: Acciaio inox	Screws: Stainless steel	Schrauben: Edelstahl
Dadi: ferro zincato	Nuts: zinc plated steel	Mutter: verzinkter Stahl



Ruota traino divisa, fresata / Split drive sprocket, machined / geteiltes Antriebskettenrad, gefräst

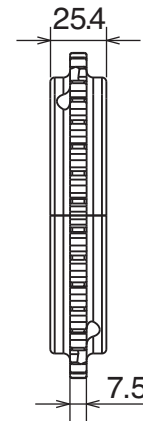
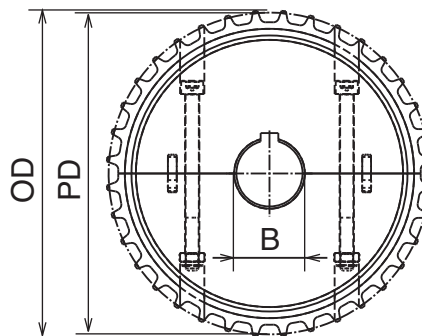


Part	Article-Nr.	z-	Bore	PD	OD
1601	160101	18	25	46,5	47,33
☐	1601	160111	20*20		
1602	160201	24	25	61,8	62,6
☐	1602	160206	25*25		
1603	160301	36	25	92,6	93,5
1603	160302	30			
1603	160303	35			
1603	160304	40			
☐	1603	160306	25*25		
☐	1603	160307	30*30		
☐	1603	160308	40*40		

Materiale:	Material:	Materialien:
Poliammide	Polyamide	Polyamid
Viti: Acciaio inox	Screws: Stainless steel	Schrauben: Edelstahl
Dadi: ferro zincato	Nuts: zinc plated steel	Mutter: verzinkter Stahl

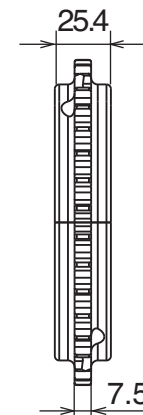
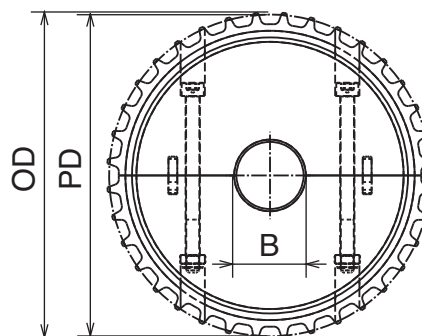
Ruota traino divisa, fresata / Split drive sprocket, machined / geteiltes Antriebskettenrad, gefräst

Part	Article-Nr.	z-	Bore	PD	OD
1561	156101	28	25	113,4	115,4
1561	156102		30		
1561	156103		35		
1561	156104		40		
1561	156106		25*25		
1561	156107		30*30		
1561	156108		40*40		
1562	156201	36	25	145,7	147,7
1562	156202		30		
1562	156203		35		
1562	156204		40		
1562	156206		25*25		
1562	156207		30*30		
1562	156208		40*40		
1563	156301	38	25	153,8	155,8
1563	156302		30		
1563	156303		35		
1563	156304		40		
1563	156306		25*25		
1563	156307		30*30		
1563	156308		40*40		
1564	156401	40	25	161,9	163,8
1564	156402		30		
1564	156403		35		
1564	156404		40		
1564	156406		25*25		
1564	156407		30*30		
1564	156408		40*40		



Ruota rinvio divisa, fresata / Split idler sprocket, machined / geteiltes Umlenkrad, gefräst

Part	Article-Nr.	z-	Bore	PD	OD
1561	156150	28	18*	113,4	115,4
1561	156151		25		
1561	156152		30		
1561	156153		35		
1561	156154		40		
1562	156250	36	18*	145,7	147,7
1562	156251		25		
1562	156252		30		
1562	156253		35		
1562	156254		40		
1563	156350	38	18*	153,8	155,8
1563	156351		25		
1563	156352		30		
1563	156353		35		
1563	156354		40		
1564	156450	40	18*	161,9	163,8
1564	156451		25		
1564	156452		30		
1564	156453		35		
1564	156454		40		

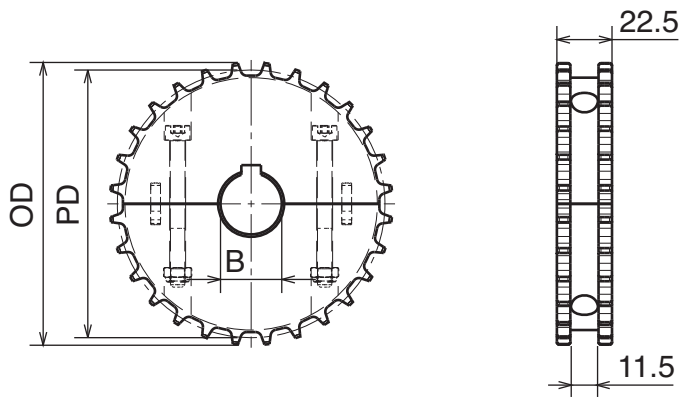


\*Plain Bore

Materiale:	Material:	Materialien:
Poliammide	Polyamide	Polyamid
Viti: Acciaio inox	Screws: Stainless steel	Schrauben: Edelstahl
Dadi: ferro zincato	Nuts: zinc plated steel	Mutter: verzinkter Stahl



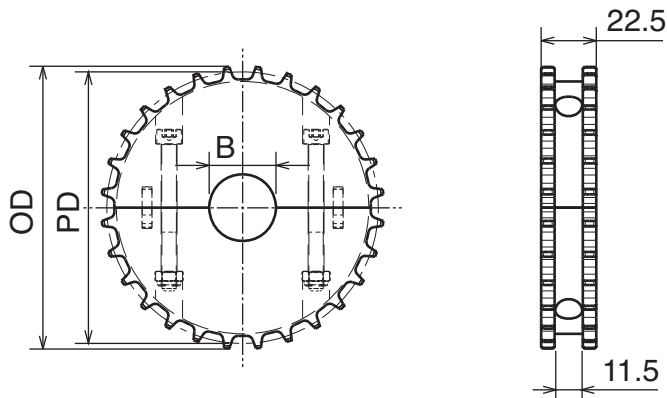
**Ruota traino divisa, fresata / Split drive sprocket, machined / geteiltes Antriebskettenrad, gefräst**



Part	Article-Nr.	z-	Bore	PD	OD
1501	150101	28	25	113,4	115,4
1501	150102		30		
1501	150103		35		
1501	150104		40		
☐	1501	150106	25*25		
☐	1501	150107	30*30		
☐	1501	150108	40*40		
1502	150201	36	25	145,7	147,7
1502	150202		30		
1502	150203		35		
1502	150204		40		
☐	1502	150206	25*25		
☐	1502	150207	30*30		
☐	1502	150208	40*40		
1503	150301	38	25	153,8	155,8
1503	150302		30		
1503	150303		35		
1503	150304		40		
☐	1503	150306	25*25		
☐	1503	150307	30*30		
☐	1503	150308	40*40		
1504	150401	40	25	161,9	163,8
1504	150402		30		
1504	150403		35		
1504	150404		40		
☐	1504	150406	25*25		
☐	1504	150407	30*30		
☐	1504	150408	40*40		



**Ruota rinvio divisa, fresata / Split idler sprocket, machined / geteiltes Umlenkrad, gefräst**



Part	Article-Nr.	z-	Bore	PD	OD
1501	150150	28	18*	113,4	115,4
1501	150151		25		
1501	150152		30		
1501	150153		35		
1501	150154		40		
1502	150250	36	18*	145,7	147,7
1502	150251		25		
1502	150252		30		
1502	150253		35		
1502	150254		40		
1503	150350	38	18*	153,8	155,8
1503	150351		25		
1503	150352		30		
1503	150353		35		
1503	150354		40		
1504	150450	40	18*	161,9	163,8
1504	150451		25		
1504	150452		30		
1504	150453		35		
1504	150454		40		

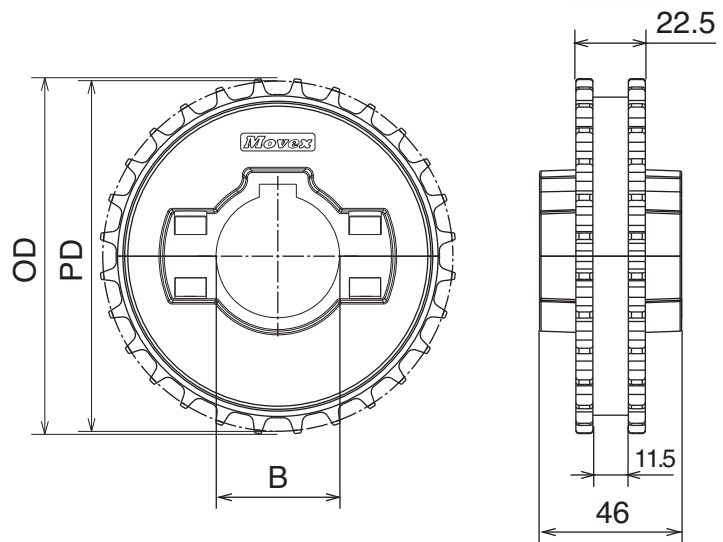
\*Plain Bore



Materiale:	Material:	Materialien:
Poliamide rinforzato	Polyamide reinforced	Verstärktes Polyamid
Viti: Acciaio inox	Screws: Stainless steel	Schrauben: Edelstahl
Dadi: ottone nichelato	Nuts: nickel plated brass	Mutter: messing vernickelt

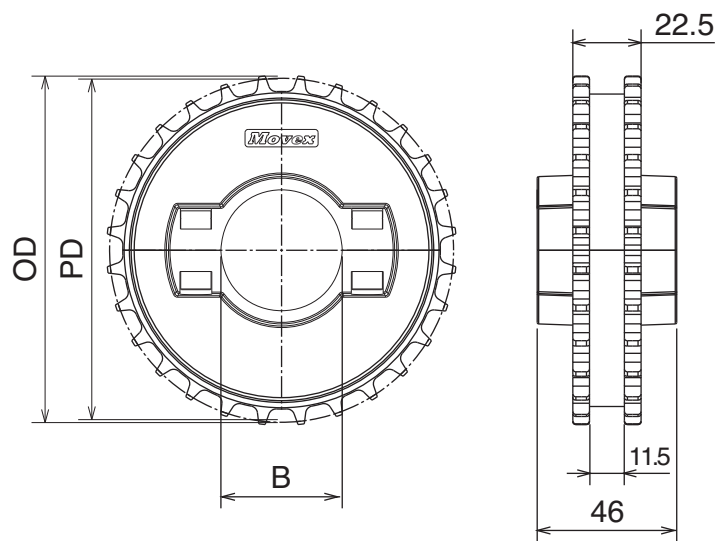
**Ruota traino divisa, stampata / Split drive sprocket, molded / geteiltes Antriebskettenrad, gespritzt**

Part	Article-Nr.	z-	Bore	PD	OD
1505	150501	24	25	97,3	99,3
1505	150502		30		
1505	150503		35		
1505	150504		40		
1505	150506		25*25		
1505	150507		30*30		
1505	150508		40*40		
1506	150601	28	25	113,4	115,4
1506	150602		30		
1506	150603		35		
1506	150604		40		
1506	150606		25*25		
1506	150607		30*30		
1506	150608		40*40		
1507	150701	36	25	145,7	147,7
1507	150702		30		
1507	150703		35		
1507	150704		40		
1507	150706		25*25		
1507	150707		30*30		
1507	150708		40*40		



**Ruota rinvio divisa, stampata / Split idler sprocket, molded / geteiltes Umlenkrad, gespritzt**

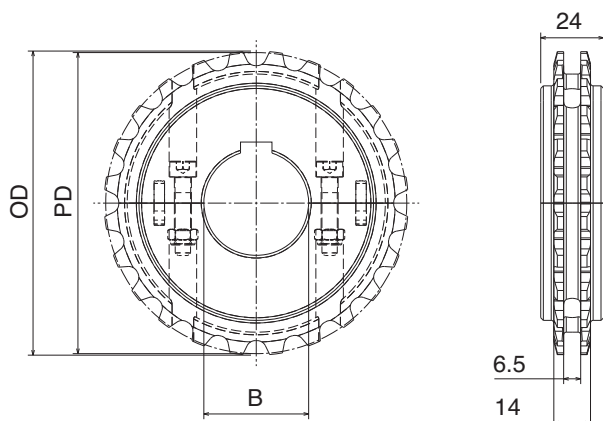
Part	Article-Nr.	z-	Bore	PD	OD
1505	150551	24	25	97,3	99,3
1505	150552		30		
1505	150553		35		
1505	150554		40		
1506	150651	28	25	113,4	115,4
1506	150652		30		
1506	150653		35		
1506	150654		40		
1507	150751	36	25	145,7	147,7
1507	150752		30		
1507	150753		35		
1507	150754		40		



Materiale:	Material:	Materialien:
Poliammide	Polyamide	Polyamid
Viti: Acciaio inox	Screws: Stainless steel	Schrauben: Edelstahl
Dadi: ferro zincato	Nuts: zinc plated steel	Mutter: verzinkter Stahl



### Ruota traino divisa, fresata / Split drive sprocket, machined / geteiltes Antriebskettenrad, gefräst

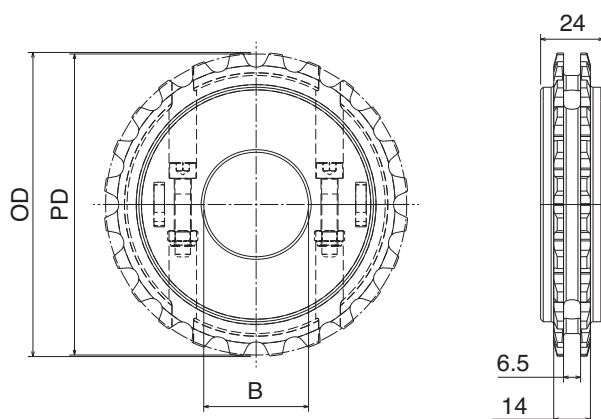


Part	Article-Nr.	Z-	Bore	PD	OD
1581	158101E	12*	25	58,1	58,2
1581	158106E		25x25		
1582	158201E	16*	25	77,1	77,7
1582	158202E		30		
1582	158206E		25x25		
1582	158207E		30x30		
1583	158301	24	25	114,9	115,5
1583	158302		30		
1583	158303		35		
1583	158304		40		
1583	158306		25x25		
1583	158307		30x30		
1583	158308		40x40		
1584	158401	32	25	153,4	154,8
1584	158402		30		
1584	158403		35		
1584	158404		40		
1584	158406		25x25		
1584	158407		30x30		
1584	158408		40x40		

\*Sprocket Z-12 and Z-16 are supplied non-split.



### Ruota rinvio divisa, fresata / Split idler sprocket, machined / geteiltes Umlenkrad, gefräst



Part	Article-Nr.	Z-	Bore	PD	OD
1581	158150E	12**	18*	58,1	58,2
1581	158151E		25		
1582	158250E	16**	18*	77,1	77,7
1582	158251E		25		
1582	158252E		30		
1583	158350	24	18*	114,9	115,5
1583	158351		25		
1583	158352		30		
1583	158353		35		
1583	158354		40		
1584	158450	32	18*	153,4	154,8
1584	158451		25		
1584	158452		30		
1584	158453		35		
1584	158454		40		

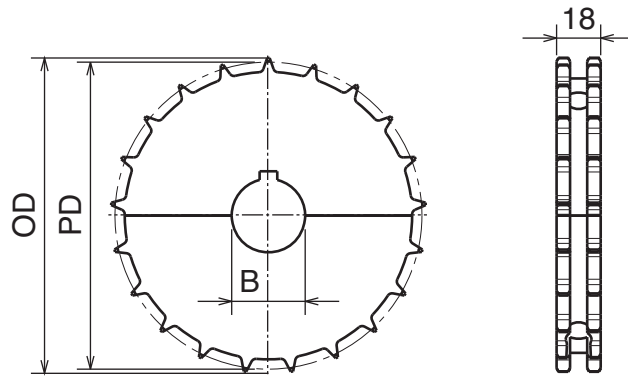
\*\*Idler sprocket Z-12 and Z-16 are supplied non-split.

\*Plain Bore

Materiale:	Material:	Materialien:
Poliammide	Polyamide	Polyamid
Viti: Acciaio inox	Screws: Stainless steel	Schrauben: Edelstahl
Dadi: ferro zincato	Nuts: zinc plated steel	Mutter: verzinkter Stahl

**Ruota traino divisa, fresata / Split drive sprocket, machined / geteiltes Antriebskettenrad, gefräst**

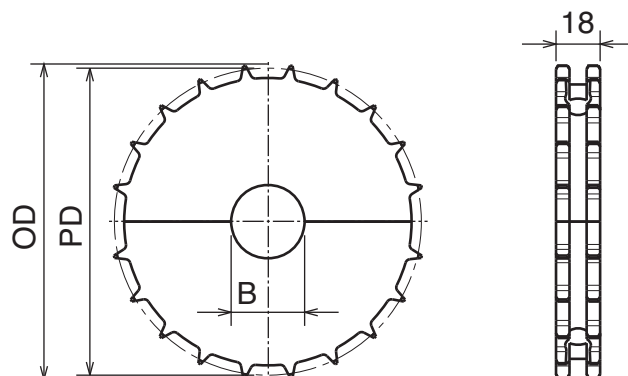
Part	Article-Nr.	z-	Bore	PD	OD
1511	151101	17	25	100,7	103,4
1511	151102		30		
1511	151103		35		
1511	151104		40		
1511	151106		25*25		
1511	151107		30*30		
1511	151108		40*40		
1512	151201	21	25	126	128,7
1512	151202		30		
1512	151203		35		
1512	151204		40		
1512	151206		25*25		
1512	151207		30*30		
1512	151208		40*40		
1513	151301	24	25	142,9	145,6
1513	151302		30		
1513	151303		35		
1513	151304		40		
1513	151306		25*25		
1513	151307		30*30		
1513	151308		40*40		
1514	151401	25	25	149	151,7
1514	151402		30		
1514	151403		35		
1514	151404		40		
1514	151406		25*25		
1514	151407		30*30		
1514	151408		40*40		



**Ruota rinvio divisa, fresata / Split idler sprocket, machined / geteiltes Umlenkrad, gefräst**

Part	Article-Nr.	z-	Bore	PD	OD
1511	151150	17	18*	100,7	103,4
1511	151151		25		
1511	151152		30		
1511	151153		35		
1511	151154		40		
1512	151250	21	18*	126	128,7
1512	151251		25		
1512	151252		30		
1512	151253		35		
1512	151254		40		
1513	151350	24	18*	142,9	145,6
1513	151351		25		
1513	151352		30		
1513	151353		35		
1513	151354		40		
1514	151450	25	18*	149	151,7
1514	151451		25		
1514	151452		30		
1514	151453		35		
1514	151454		40		

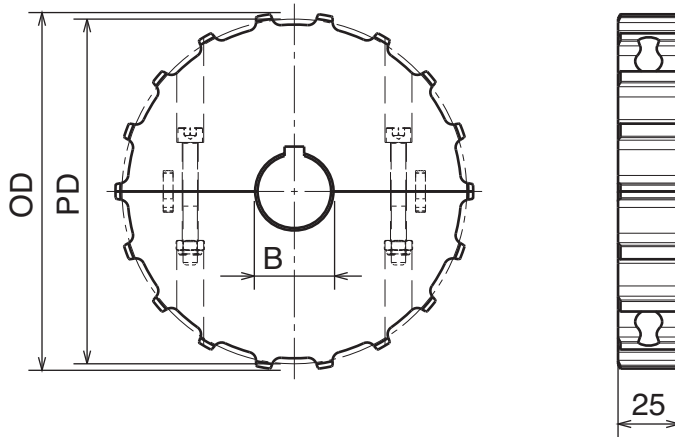
\*Plain Bore



Materiale:	Material:	Materialien:
Poliammide	Polyamide	Polyamid
Viti: Acciaio inox	Screws: Stainless steel	Schrauben: Edelstahl
Dadi: ferro zincato	Nuts: zinc plated steel	Mutter: verzinkter Stahl



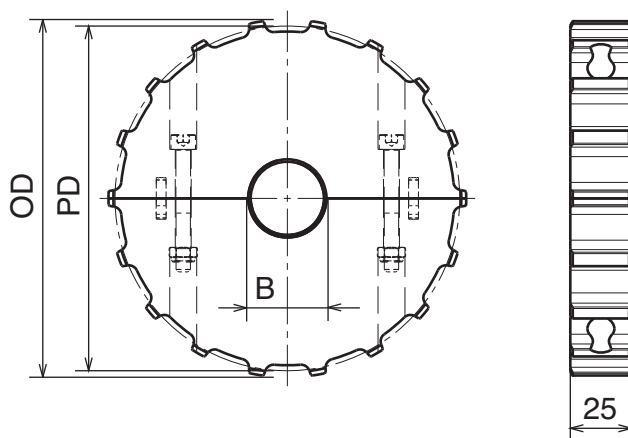
**Ruota traino divisa, fresata / Split drive sprocket, machined / geteiltes Antriebskettenrad, gefräst**



Part	Article-Nr.	z-	Bore	PD	OD
1521	152101	14	25	114,1	114
1521	152102		30		
1521	152103		35		
1521	152104		40		
1521	152106		25*25		
1521	152107		30*30		
1521	152108		40*40		
1522	152201	16	25	130,2	130
1522	152202		30		
1522	152203		35		
1522	152204		40		
1522	152206		25*25		
1522	152207		30*30		
1522	152208		40*40		
1523	152301	18	25	146,3	146
1523	152302		30		
1523	152303		35		
1523	152304		40		
1523	152306		25*25		
1523	152307		30*30		
1523	152308		40*40		
1524	152401	20	25	162,4	162
1524	152402		30		
1524	152403		35		
1524	152404		40		
1524	152406		25*25		
1524	152407		30*30		
1524	152408		40*40		



**Ruota rinvio divisa, fresata / Split idler sprocket, machined / geteiltes Umlenkrad, gefräst**



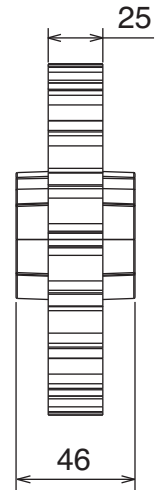
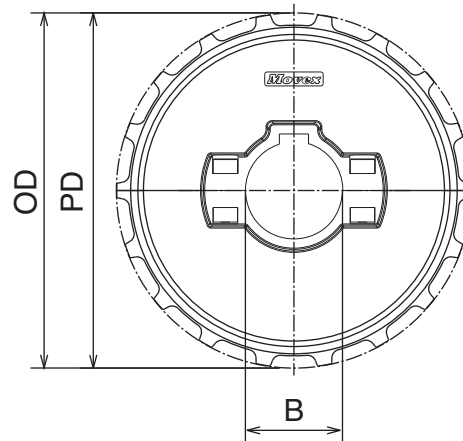
Part	Article-Nr.	z-	Bore	PD	OD
1521	152150	14	18*	114,1	114
1521	152151		25		
1521	152152		30		
1521	152153		35		
1521	152154		40		
1522	152250	16	18*	130,2	130
1522	152251		25		
1522	152252		30		
1522	152253		35		
1522	152254		40		
1523	152350	18	18*	146,3	146
1523	152351		25		
1523	152352		30		
1523	152353		35		
1523	152354		40		
1524	152450	20	18*	162,4	162
1524	152451		25		
1524	152452		30		
1524	152453		35		
1524	152454		40		

\*Plain Bore

Materiale:	Material:	Materialien:
Poliamide rinforzato	Polyamide reinforced	Verstärktes Polyamid
Viti: Acciaio inox	Screws: Stainless steel	Schrauben: Edelstahl
Dadi: ottone nichelato	Nuts: nickel plated brass	Mutter: messing vernickelt

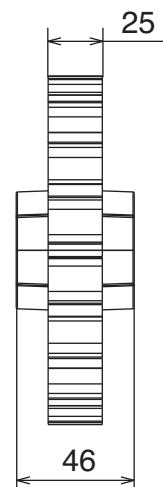
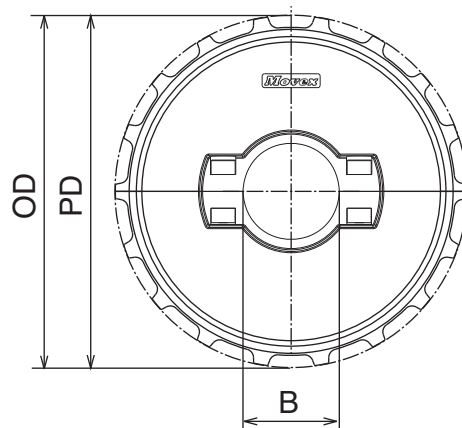
**Ruota traino divisa, stampata / Split drive sprocket, molded / geteiltes Antriebskettenrad, gespritzt**

Part	Article-Nr.	z-	Bore	PD	OD
1525	152501	14	25	114,1	114
1525	152502		30		
1525	152503		35		
1525	152504		40		
1525	152506		25*25		
1525	152507		30*30		
1525	152508		40*40		
1526	152601	16	25	130,2	130
1526	152602		30		
1526	152603		35		
1526	152604		40		
1526	152606		25*25		
1526	152607		30*30		
1526	152608		40*40		
1527	152701	18	25	146,3	146
1527	152702		30		
1527	152703		35		
1527	152704		40		
1527	152706		25*25		
1527	152707		30*30		
1527	152708		40*40		
1528	152801	20	25	162,4	162
1528	152802		30		
1528	152803		35		
1528	152804		40		
1528	152806		25*25		
1528	152807		30*30		
1528	152808		40*40		



**Ruota rinvio divisa, stampata / Split idler sprocket, molded / geteiltes Umlenkrad, gespritzt**

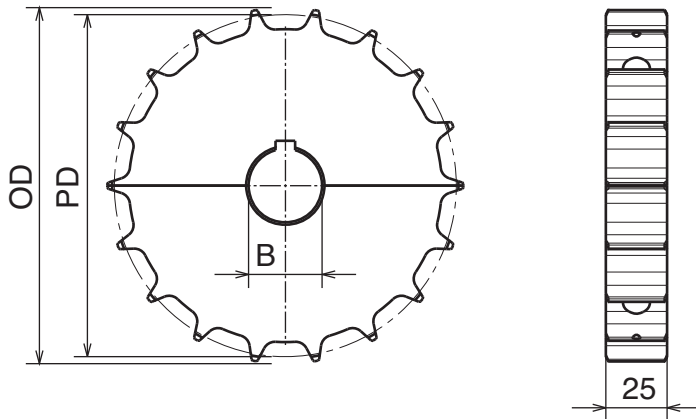
Part	Article-Nr.	z-	Bore	PD	OD
1525	152551	14	25	114,1	114
1525	152552		30		
1525	152553		35		
1525	152554		40		
1526	152651	16	25	130,2	130
1526	152652		30		
1526	152653		35		
1526	152654		40		
1527	152751	18	25	146,3	146
1527	152752		30		
1527	152753		35		
1527	152754		40		
1528	152851	20	25	162,4	162
1528	152852		30		
1528	152853		35		
1528	152854		40		



Materiale:	Material:	Materialien:
Poliammide	Polyamide	Polyamid
Viti: Acciaio inox	Screws: Stainless steel	Schrauben: Edelstahl
Dadi: ferro zincato	Nuts: zinc plated steel	Mutter: verzinkter Stahl



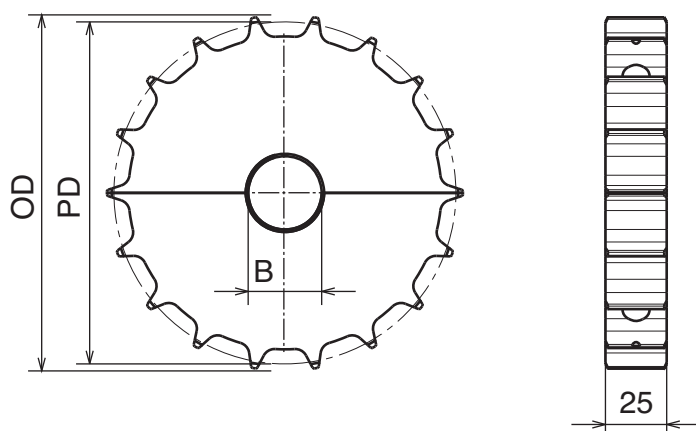
**Ruota traino divisa, fresata / Split drive sprocket, machined / geteiltes Antriebskettenrad, gefräst**



Part	Article-Nr.	z-	Bore	PD	OD
1531	153101	14	25	114,2	113,5
1531	153102		30		
1531	153103		35		
1531	153104		40		
1531	153106		25*25		
1531	153107		30*30		
1531	153108		40*40		
1532	153201	16	25	130,2	129
1532	153202		30		
1532	153203		35		
1532	153204		40		
1532	153206		25*25		
1532	153207		30*30		
1532	153208		40*40		
1533	153301	18	25	146,3	145,3
1533	153302		30		
1533	153303		35		
1533	153304		40		
1533	153306		25*25		
1533	153307		30*30		
1533	153308		40*40		
1534	153401	20	25	162,4	161,7
1534	153402		30		
1534	153403		35		
1534	153404		40		
1534	153406		25*25		
1534	153407		30*30		
1534	153408		40*40		



**Ruota rinvio divisa, fresata / Split idler sprocket, machined / geteiltes Umlenkrad, gefräst**



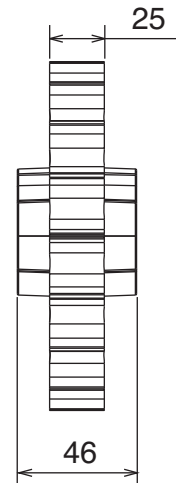
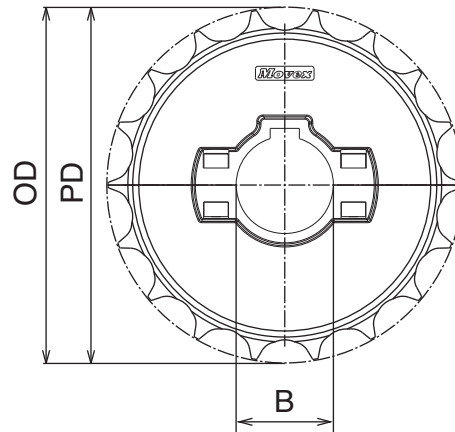
Part	Article-Nr.	z-	Bore	PD	OD
1531	153150	14	18*	114,2	114
1531	153151		25		
1531	153152		30		
1531	153153		35		
1531	153154		40		
1532	153250	16	18*	130,2	129
1532	153251		25		
1532	153252		30		
1532	153253		35		
1532	153254		40		
1533	153350	18	18*	146,3	145,3
1533	153351		25		
1533	153352		30		
1533	153353		35		
1533	153354		40		
1534	153450	20	18*	162,4	161,7
1534	153451		25		
1534	153452		30		
1534	153453		35		
1534	153454		40		

\*Plain Bore

Materiale:	Material:	Materialien:
Poliamide rinforzato	Polyamide reinforced	Verstärktes Polyamid
Viti: Acciaio inox	Screws: Stainless steel	Schrauben: Edelstahl
Dadi: ottone nichelato	Nuts: nickel plated brass	Mutter: messing vernickelt

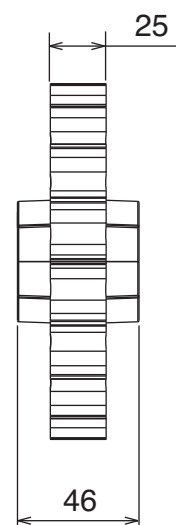
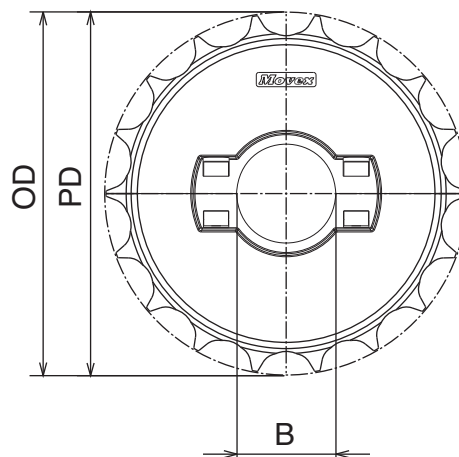
**Ruota traino divisa, stampata / Split drive sprocket, molded / geteiltes Antriebskettenrad, gespritzt**

Part	Article-Nr.	z-	Bore	PD	OD
1535	153501	14	25	114,2	114
1535	153502		30		
1535	153503		35		
1535	153504		40		
1535	153506		25*25		
1535	153507		30*30		
1535	153508		40*40		
1536	153601	16	25	130,2	129
1536	153602		30		
1536	153603		35		
1536	153604		40		
1536	153606		25*25		
1536	153607		30*30		
1536	153608		40*40		
1537	153701	18	25	146,3	145,3
1537	153702		30		
1537	153703		35		
1537	153704		40		
1537	153706		25*25		
1537	153707		30*30		
1537	153708		40*40		
1538	153801	20	25	162,4	161,7
1538	153802		30		
1538	153803		35		
1538	153804		40		
1538	153806		25*25		
1538	153807		30*30		
1538	153808		40*40		



**Ruota rinvio divisa, stampata / Split idler sprocket, molded / geteiltes Umlenkrad, gespritzt**

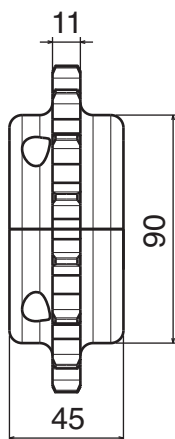
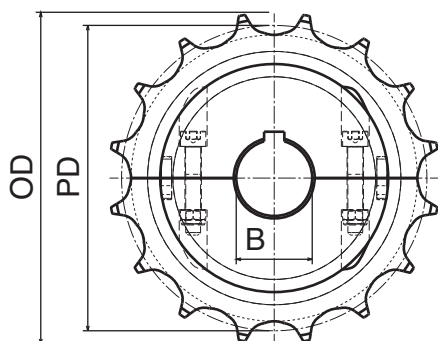
Part	Article-Nr.	z-	Bore	PD	OD
1535	153551	14	25	114,2	114
1535	153552		30		
1535	153553		35		
1535	153554		40		
1536	153651	16	25	130,2	129
1536	153652		30		
1536	153653		35		
1536	153654		40		
1537	153751	18	25	146,3	145,3
1537	153752		30		
1537	153753		35		
1537	153754		40		
1538	153851	20	25	162,4	161,7
1538	153852		30		
1538	153853		35		
1538	153854		40		



Materiale:	Material:	Materialien:
Poliammide	Polyamide	Polyamid
Viti: Acciaio inox	Screws: Stainless steel	Schrauben: Edelstahl
Dadi: ferro zincato	Nuts: zinc plated steel	Mutter: verzinkter Stahl



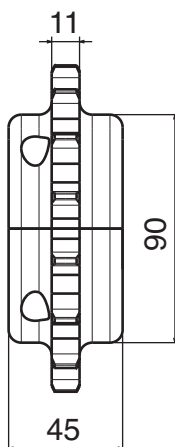
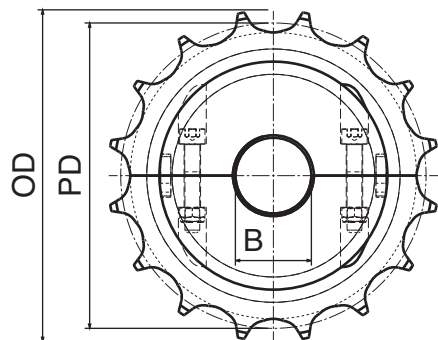
*Ruota traino divisa, fresata / Split drive sprocket, machined / geteiltes Antriebskettenrad, gefräst*



Part	Article-Nr.	z-	Bore	PD	OD
1541	154101	16	25	128,9	130,9
1541	154102		30		
1541	154103		35		
1541	154104		40		
1542	154201	18	25	144,8	146,8
1542	154202		30		
1542	154203		35		
1542	154204		40		
1543	154301	19	25	154,3	156,3
1543	154302		30		
1543	154303		35		
1543	154304		40		



*Ruota rinvio divisa, fresata / Split idler sprocket, machined / geteiltes Umlenkrad, gefräst*



Part	Article-Nr.	z-	Bore	PD	OD
1541	154150	16	18*	128,9	130,9
1541	154151		25		
1541	154152		30		
1541	154153		35		
1541	154154		40		
1542	154250	18	18*	144,8	146,8
1542	154251		25		
1542	154252		30		
1542	154253		35		
1542	154254		40		
1543	154350	19	18*	154,3	156,3
1543	154351		25		
1543	154352		30		
1543	154353		35		
1543	154354		40		

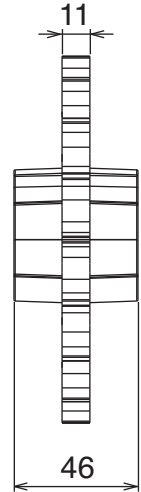
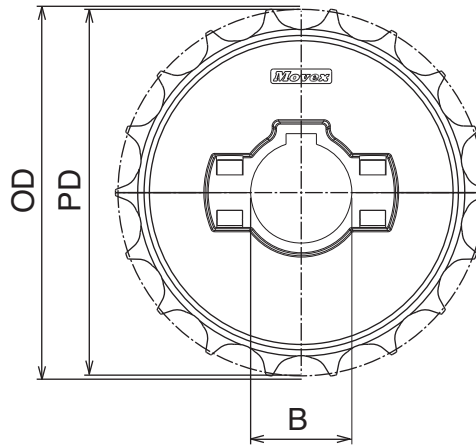
\*Plain Bore



Materiale:	Material:	Materialien:
Poliamide rinforzato	Polyamide reinforced	Verstärktes Polyamid
Viti: Acciaio inox	Screws: Stainless steel	Schrauben: Edelstahl
Dadi: ottone nichelato	Nuts: nickel plated brass	Mutter: Messing vernickelt

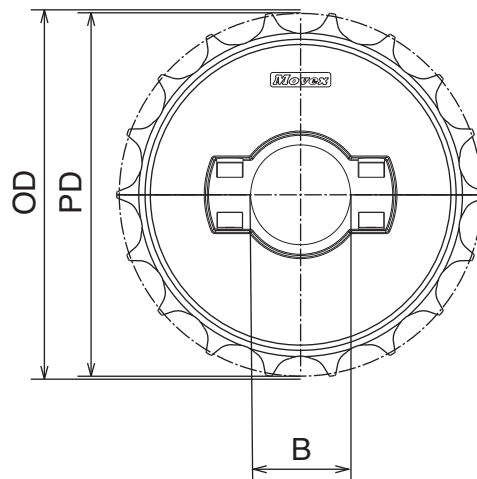
### Ruota traino divisa, stampata / Split drive sprocket, molded / geteiltes Antriebskettenrad, gespritzt

Part	Article-Nr.	z-	Bore	PD	OD
1545	154501	16	25	128,9	130,9
1545	154502		30		
1545	154503		35		
1545	154504		40		
1545	154506		25*25		
1545	154507		30*30		
1545	154508		40*40		
1546	154601	18	25	144,8	146,8
1546	154602		30		
1546	154603		35		
1546	154604		40		
1546	154606		25*25		
1546	154607		30*30		
1546	154608		40*40		
1547	154701	19	25	154,3	156,3
1547	154702		30		
1547	154703		35		
1547	154704		40		
1547	154706		25*25		
1547	154707		30*30		
1547	154708		40*40		



### Ruota rinvio divisa, stampata / Split idler sprocket, molded / geteiltes Umlenkrad, gespritzt

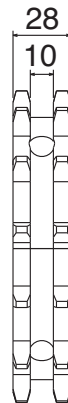
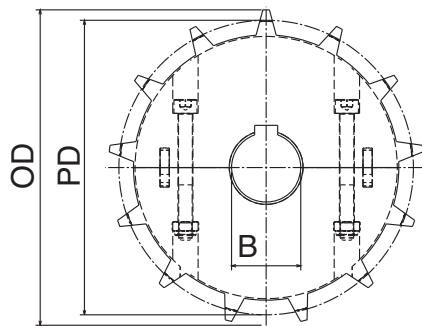
Part	Article-Nr.	z-	Bore	PD	OD
1545	154551	16	25	128,9	130,9
1545	154552		30		
1545	154553		35		
1545	154554		40		
1546	154651	18	25	144,8	146,8
1546	154652		30		
1546	154653		35		
1546	154654		40		
1547	154751	19	25	154,3	156,3
1547	154752		30		
1547	154753		35		
1547	154754		40		



Materiale:	Material:	Materialien:
Poliammide	Polyamide	Polyamid
Viti: Acciaio inox	Screws: Stainless steel	Schrauben: Edelstahl
Dadi: ferro zincato	Nuts: zinc plated steel	Mutter: verzinkter Stahl



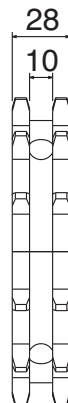
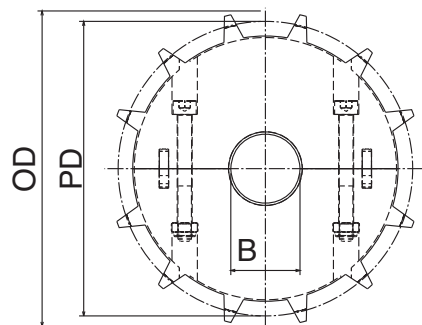
### Ruota traino divisa, fresata / Split drive sprocket, machined / geteiltes Antriebskettenrad, gefräst



Part	Article-Nr.	z-	Bore	PD	OD
1571	157101	10	25	102,8	107,7
1571	157102		30		
1571	157103		35		
1571	157104		40		
1572	157201	13	25	132,7	138,8
1572	157202		30		
1572	157203		35		
1572	157204		40		
1573	157301	15	25	152,7	159,4
1573	157302		30		
1573	157303		35		
1573	157304		40		
1574	157401	16	25	162,8	169,6
1574	157402		30		
1574	157403		35		
1574	157404		40		



### Ruota rinvio divisa, fresata / Split idler sprocket, machined / geteiltes Umlenkrad, gefräst



Part	Article-Nr.	z-	Bore	PD	OD
1571	157150	10	18*	102,8	107,7
1571	157151		25		
1571	157152		30		
1571	157153		35		
1571	157154		40		
1572	157250	13	18*	132,7	138,8
1572	157251		25		
1572	157252		30		
1572	157253		35		
1572	157254		40		
1573	157350	15	18*	152,7	159,4
1573	157351		25		
1573	157352		30		
1573	157353		35		
1573	157354		40		
1574	157450	16	18*	162,8	169,6
1574	157451		25		
1574	157452		30		
1574	157453		35		
1574	157454		40		

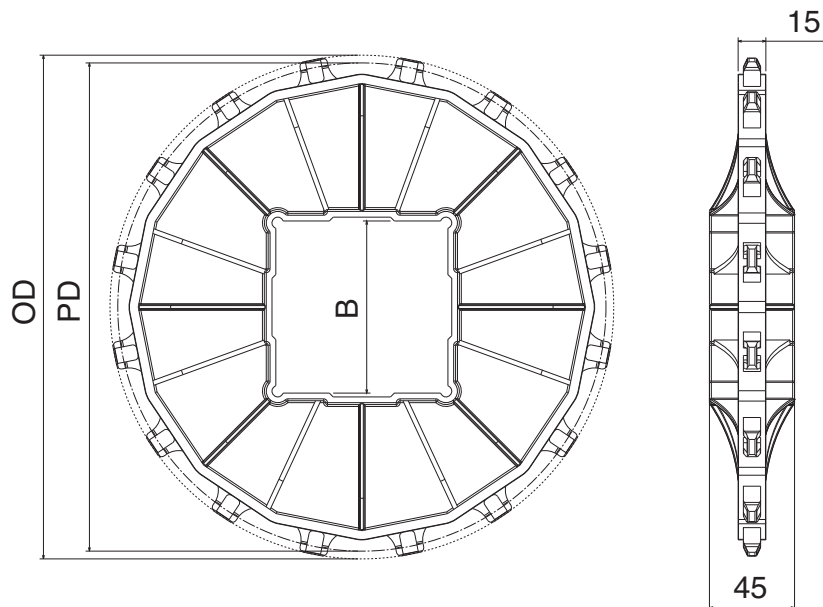
\*Plain Bore

Materiale:	Material:	Materialien:
Resina acetilica	Acetal resin	Azetal

**Ruota traino, stampata / Drive sprocket, molded / Antriebskettenrad, gespritzt**



Part	Article-Nr.	z-	Bore	PD	OD
1551	155104	10	Ø40	164,4	163,1
1551	155105		Ø50		
1551	155106		40x40		
1551	155107		60x60		
1551	155108		65x65		
1552	155204	12	Ø40	196,3	196,3
1552	155206		40x40		
1552	155207		60x60		
1552	155208		65x65		
1553	155311	13	Ø65	212,3	209
1553	155310		Ø90		
1553	155306		40x40		
1553	155307		60x60		
1553	155308		65x65		
1553	155309		90x90		
1559	155910	16	Ø90	260,4	262
1559	155905		Ø2,5"		
1559	155908		65x65		
1559	155909		90x90		
1559	155912		120x120		



# BluLub

**Movex Enhanced-Performance UHMW-PE**

**BluLub** è un nuovo materiale ad alte prestazioni composto da lubrificanti solidi di ultima generazione UHMW-PE. **BluLub** migliora il limite PV rispetto allo standard UHMW-PE, soprattutto nelle applicazioni ove la lubrificazione e' limitata o assente e le velocità e/o i carichi sono elevati. **BluLub** ti fa consumare meno energia e con un basso coefficiente di attrito, migliora la stabilità del prodotto, l'usura della catene e de nastri modulari allungandone la vita utile.

**BluLub** is a new high-performance compounded UHMW-PE material with the latest generation of solid lubricants. **BluLub** contributes to improve PV-properties compared to standard UHMW-PE, especially in applications with limited lubrication, higher speeds and/or higher loads. **BluLub** requires less energy and with the lower coefficient of friction, improves the product stability and wear life of chains and modular belts.

**BluLub** ist ein neues High-Performance UHMW-PE Material mit der neuesten Generation von festen Schmierstoffen. **BluLub** trägt dazu bei die PV-Eigenschaften im Vergleich zu Standard-UHMW-PE zu verbessern, vor allem in Anwendungen mit begrenzter Schmierung, höheren Geschwindigkeiten und / oder höheren Lasten. Mit **BluLub** wird weniger Energie benötigt. Mit dem niedrigeren Reibungskoeffizienten, verbessert sich die Produktstabilität. Die Standzeiten von Ketten und Modulbändern werden erhöht

### Properties:

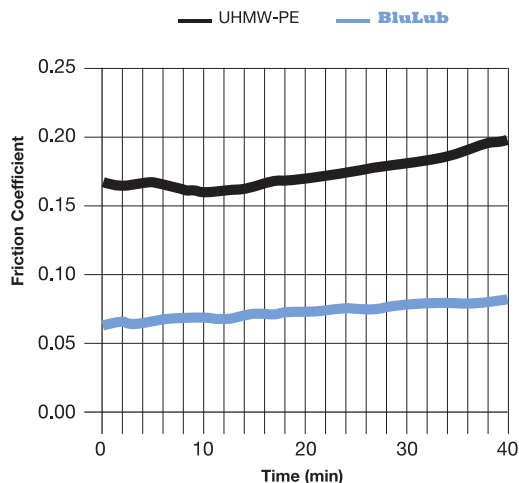
- UHMW-PE Polyethylene with molecular density 5,600,000 g/mol.
- Operating temperature: -40 to 176°F (-40 to + 80°C)
- BluLub complies with the Code of Federal Regulations of FDA

### Advantages:

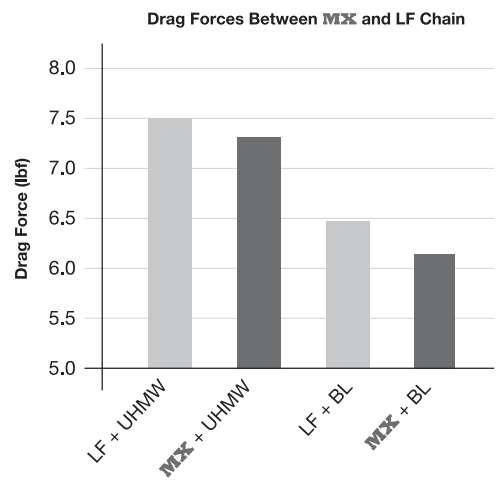
- **Running dry**
- **High speed**
- **Reduced noise and squeaking**
- **Lower Coefficient of Friction**
- **Lower wear**
- **Less energy consumption**
- **Minimal moisture absorption**
- **Smooth and quite chain running**

### Vorteile







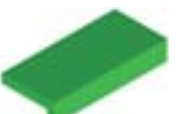
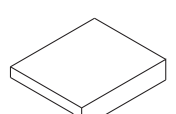


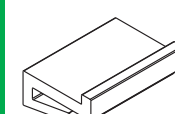
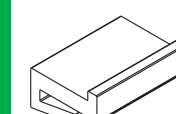
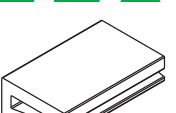


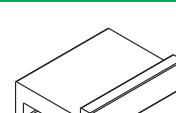

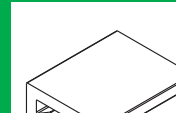




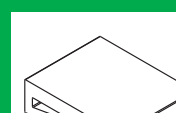




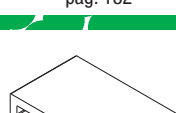


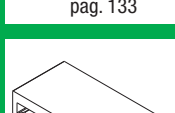
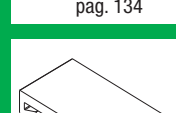
- **Trockenlauf**
- **hohe Geschwindigkeit**
- **eduzierte Geräusentwicklung und kein "Quietschen"**
- **niedrigerer Reibwert**
- **geringerer Verschleiß**
- **weniger Energieverbrauch**
- **Minimale Feuchtigkeitsaufnahme**
- **ruhiger Lauf der Kette**



Less Friction Compared to UHMW-PE



Chain / Wear Strip Configuration

 pag. 126	 pag. 126	 pag. 126	 pag. 126	 pag. 127	 pag. 127
 pag. 127	 pag. 128	 pag. 128	 pag. 128	 pag. 129	 pag. 129
 pag. 129	 pag. 129	 pag. 130	 pag. 130	 pag. 130	 pag. 131
 pag. 131	 pag. 131	 pag. 131	 pag. 132	 pag. 132	
 pag. 132	 pag. 132	 pag. 133	 pag. 133		
 pag. 133	 pag. 133	 pag. 134			
 pag. 134	 pag. 134				





pag. 135



pag. 135



pag. 135



pag. 136



pag. 136



pag. 136



pag. 136



pag. 136



pag. 137



pag. 137



pag. 137



pag. 138



pag. 138



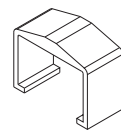
pag. 138



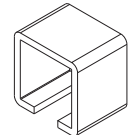
pag. 138



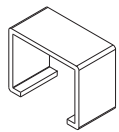
pag. 138



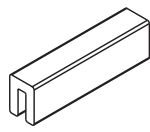
pag. 139



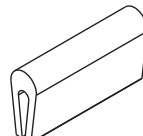
pag. 139



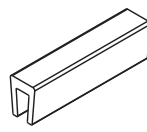
pag. 139



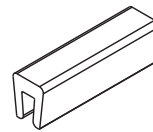
pag. 140



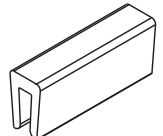
pag. 140



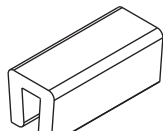
pag. 140



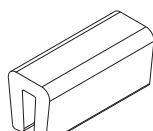
pag. 140



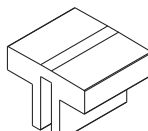
pag. 140



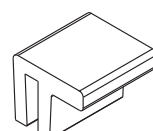
pag. 141



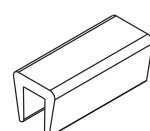
pag. 141



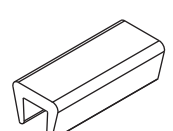
pag. 142



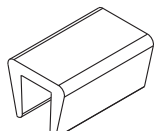
pag. 142



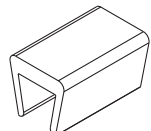
pag. 142



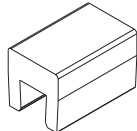
pag. 143



pag. 143



pag. 143



pag. 143



pag. 144



pag. 144



pag. 144



pag. 144



pag. 145



pag. 145



pag. 145



pag. 145



pag. 146



pag. 146



pag. 146



pag. 146



pag. 147



pag. 147



pag. 147



pag. 148



pag. 148



pag. 148



pag. 148



pag. 150



pag. 150



pag. 150



pag. 150



pag. 150



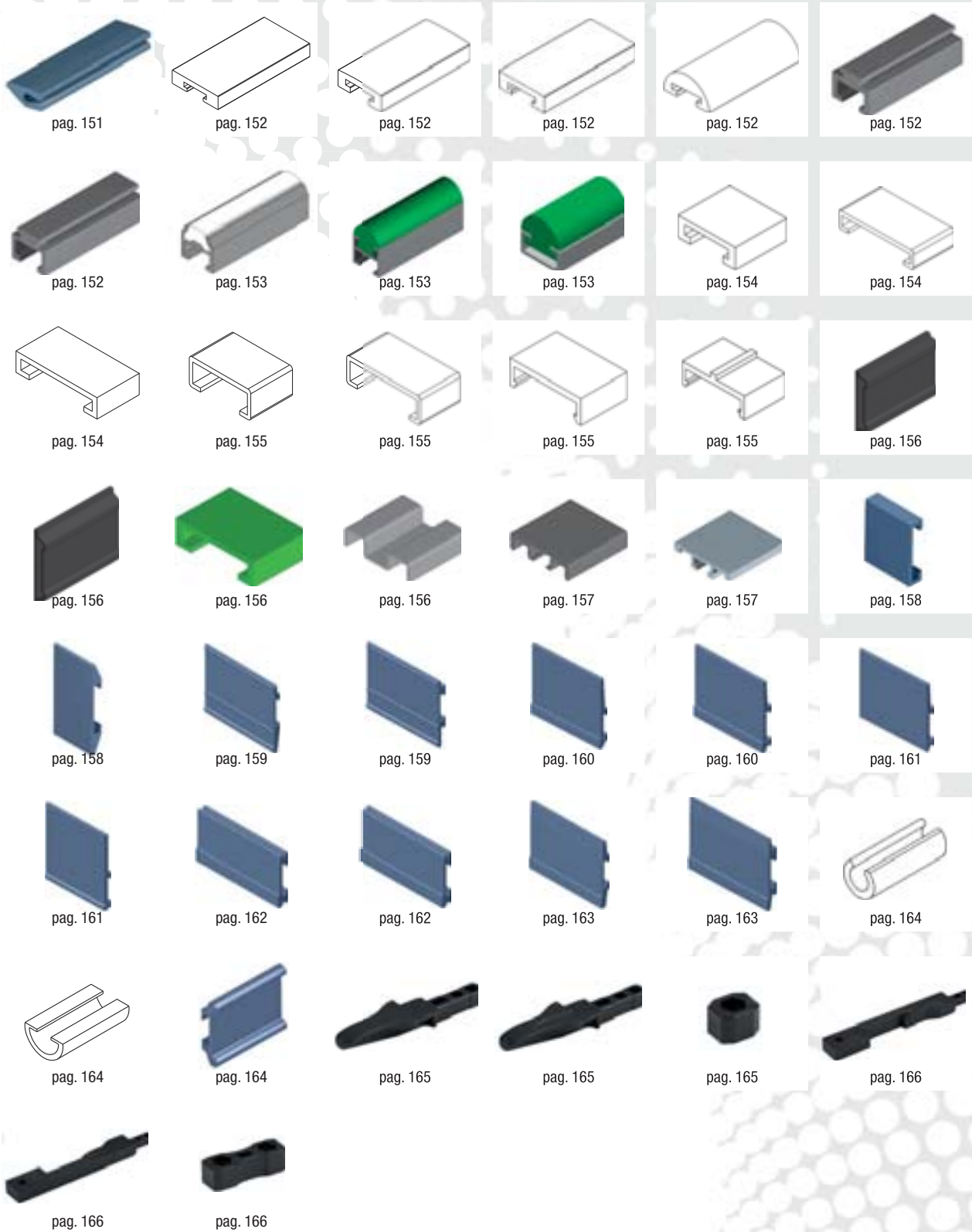
pag. 151



pag. 151



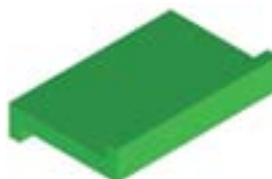
pag. 151



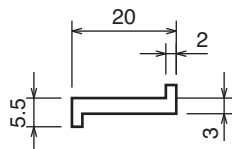
- RED = STOCK ITEM
- BLACK = ON REQUEST

**Material:**

Polyethylene UHMW-PE with molecular density 5,600,000 g/mol  
 Linear expansion coefficient:  $1.1 \times 10^{-4} \text{ } ^\circ\text{F}^{-1}$  ( $2 \times 10^{-4} \text{ } ^\circ\text{C}^{-1}$ )  
 Operating temperature: -40 to 176°F (-40 to +80°C)

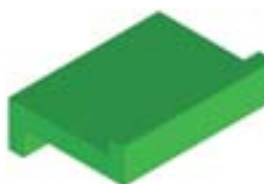


### Profilo "Z" / Z-Profile / Z-Profil

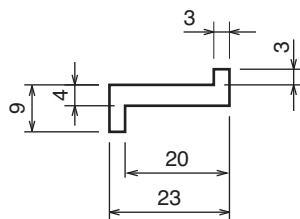


Part	Article-Nr.	Colour
101	10101	black
101	10102	green

On request available in white color

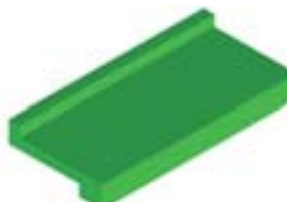


### Profilo "Z" rinforzato / Z-Profile reinforced / Z-Profil, verstärkt

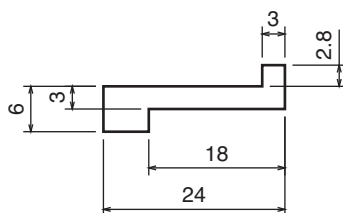


Part	Article-Nr.	Colour
102	10201	black
102	10202	green

On request available in white color

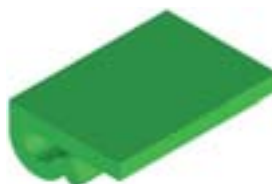


### Profilo "Z" / Z-Profile / Z-Profil

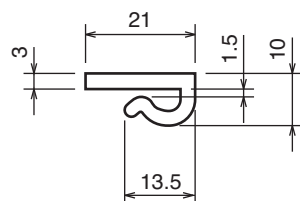


Part	Article-Nr.	Colour
176	17601	black
176	17602	green

On request available in white color



### Profilo Z-clip senza bordo / Z-clip profile without nose / ZK-Profil ohne Nase



Part	Article-Nr.	Colour
103	10301	black
103	10302	green

On request available in white color  
 Fit on 2.5 to 3.5 mm



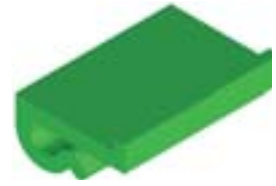


**Material:**

Polyethylene UHMW-PE with molecular density 5,600,000 g/mol  
 Linear expansion coefficient:  $1.1 \times 10^{-4} \text{ } ^\circ\text{F}^{-1}$  ( $2 \times 10^{-4} \text{ } ^\circ\text{C}^{-1}$ )  
 Operating temperature: -40 to 176°F (-40 to +80°C)

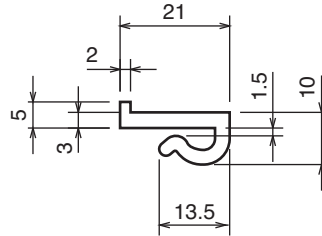
- RED = STOCK ITEM
- BLACK = ON REQUEST

### Profilo Z-clip con bordo / Z-clip profile with nose / ZK-Profil mit Nase

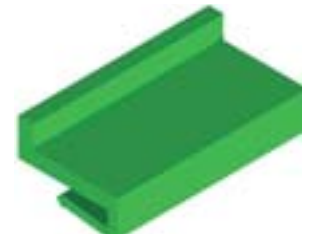


Part	Article-Nr.	Colour
104	10401	black
104	10402	green

On request available in white color  
 Fit on 2.5 to 3.5 mm

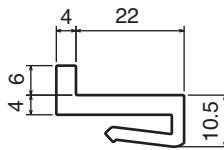


### Profilo Z-clip con bordo / Z-clip profile with nose / ZK-Profil mit Nase

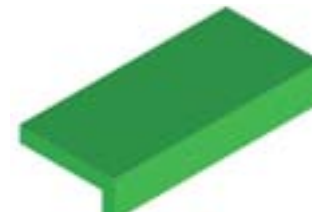


Part	Article-Nr.	L	Colour
179	17901C	3 m	black
179	17901	6 m	black
179	17902C	3 m	green
179	17902	6 m	green

On request available in white color  
 Fit on 2.5 to 3.5 mm

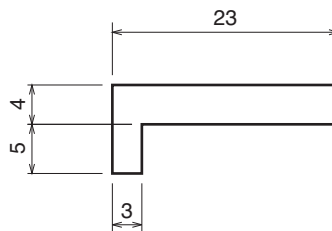


### Profilo "L" / L-Profile / L-Profil



Part	Article-Nr.	Colour
175	17501	black
175	17502	green

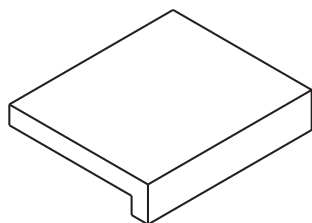
On request available in white color



- RED = STOCK ITEM
- BLACK = ON REQUEST
- US STANDARD

**Material:**

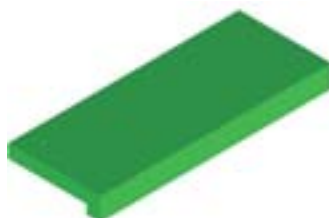
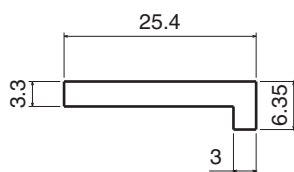
Polyethylene UHMW-PE with molecular density 5,600,000 g/mol  
 Linear expansion coefficient:  $1.1 \times 10^{-4} \text{ } ^\circ\text{F}^{-1}$  ( $2 \times 10^{-4} \text{ } ^\circ\text{C}^{-1}$ )  
 Operating temperature: -40 to 176°F (-40 to +80°C)



**Profilo "L" / L-Profile / L-Profil**

Part	Article-Nr.	L	Colour
1038	103803	60 m	white

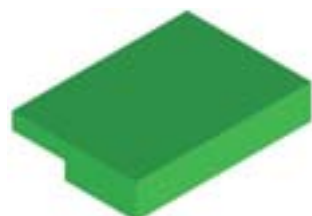
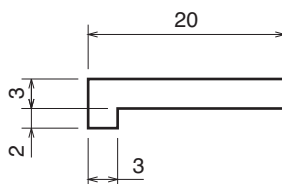
• US STANDARD



**Profilo "L" / L-Profile / L-Profil**

Part	Article-Nr.	Colour
150	15001	black
150	15002	green

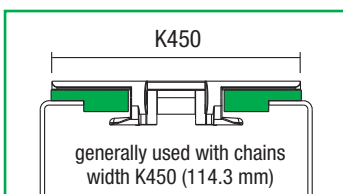
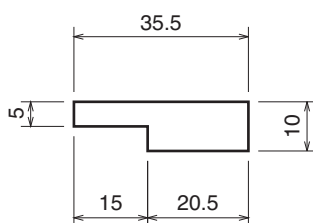
On request available in white color



**Profilo "L" / L-Profile / L-Profil**

Part	Article-Nr.	L	Colour
174	17401C	3 m	black
174	17401	6 m	black
174	17402C	3 m	green
174	17402	6 m	green

On request available in white color

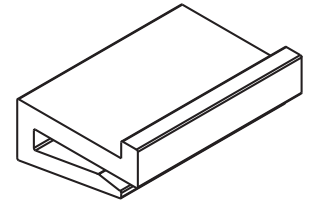


**Material:**

Polyethylene UHMW-PE with molecular density 5,600,000 g/mol  
 Linear expansion coefficient:  $1.1 \times 10^{-4} \text{ } ^\circ\text{F}^{-1}$  ( $2 \times 10^{-4} \text{ } ^\circ\text{C}^{-1}$ )  
 Operating temperature: -40 to 176°F (-40 to +80°C)

- RED = STOCK ITEM
- BLACK = ON REQUEST
- US STANDARD

## Profilo J-Leg 19.05 / J-Leg Profile 19.05 / J-Leg Profil 19.05

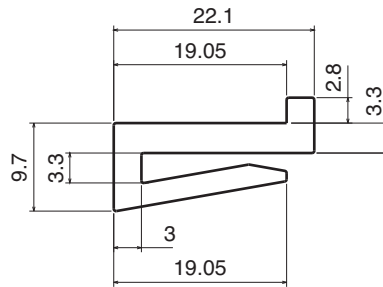


Part	Article-Nr.	L	Colour
1014	101403C	3 m	white
1014	101403	6 m	white

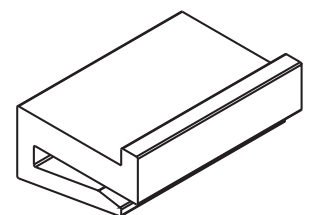


Fit on 3 mm

• US STANDARD



## Profilo J-Leg 19.05 / J-Leg Profile 19.05 / J-Leg Profil 19.05

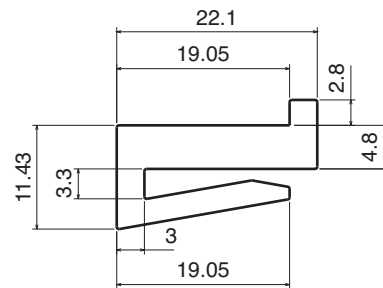


Part	Article-Nr.	L	Colour
1015	101503C	3 m	white
1015	101503	6 m	white

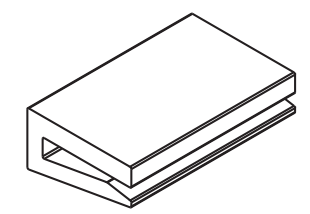


Fit on 3 mm

• US STANDARD



## Profilo J-Leg 19.05 / J-Leg Profile 19.05 / J-Leg Profil 19.05

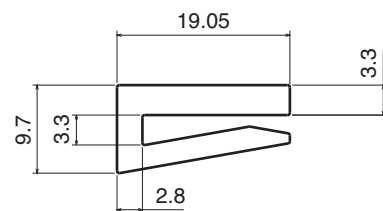


Part	Article-Nr.	L	Colour
1016	101603C	3 m	white
1016	101603	6 m	white

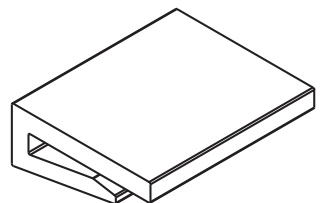


Fit on 3 mm

• US STANDARD



## Profilo J-Leg 25.4 / J-Leg Profile 25.4 / J-Leg Profil 25.4

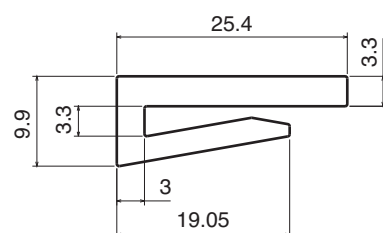


Part	Article-Nr.	L	Colour
1017	101703C	3 m	white
1017	101703	6 m	white
1017	101703-30	30 m	white



Fit on 3 mm

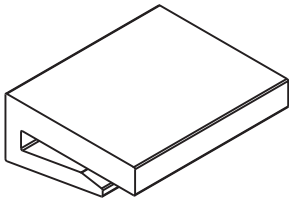
• US STANDARD



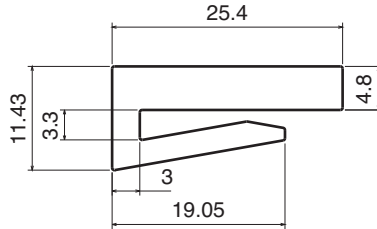
- RED = STOCK ITEM
- BLACK = ON REQUEST
- US STANDARD

**Material:**

Polyethylene UHMW-PE with molecular density 5,600,000 g/mol  
 Linear expansion coefficient:  $1.1 \times 10^{-4} \text{ } ^\circ\text{F}^{-1}$  ( $2 \times 10^{-4} \text{ } ^\circ\text{C}^{-1}$ )  
 Operating temperature: -40 to 176°F (-40 to +80°C)



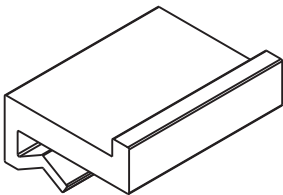
### Profilo J-Leg 25.4 / J-Leg Profile 25.4 / J-Leg Profil 25.4



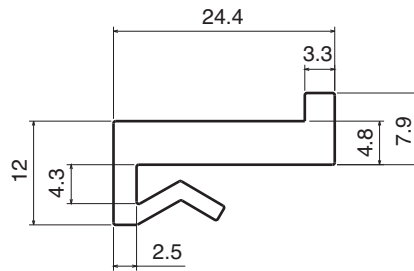
Part	Article-Nr.	L	Colour
1018	101803C	3 m	white
1018	101803	6 m	white

Fit on 3 mm

- US STANDARD



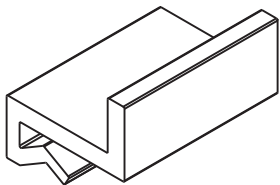
### Profilo J-Leg 25.4 / J-Leg Profile 25.4 / J-Leg Profil 25.4



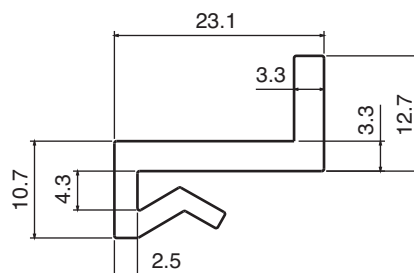
Part	Article-Nr.	L	Colour
1019	101903C	3 m	white
1019	101903	6 m	white

Fit on 3 mm

- US STANDARD



### Profilo J-Leg 25.4 / J-Leg Profile 25.4 / J-Leg Profil 25.4



Part	Article-Nr.	L	Colour
1020	102003C	3 m	white
1020	102003	6 m	white

Fit on 3 mm

- US STANDARD

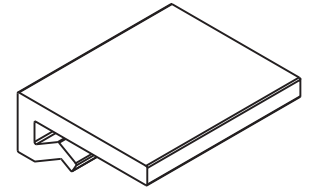


**Material:**

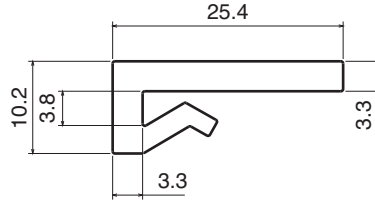
Polyethylene UHMW-PE with molecular density 5,600,000 g/mol  
 Linear expansion coefficient:  $1.1 \times 10^{-4} \text{ } ^\circ\text{F}^{-1}$  ( $2 \times 10^{-4} \text{ } ^\circ\text{C}^{-1}$ )  
 Operating temperature: -40 to 176°F (-40 to +80°C)

- RED = STOCK ITEM
- BLACK = ON REQUEST
- US STANDARD

### Profilo J-Leg 25.4 / J-Leg Profile 25.4 / J-Leg Profil 25.4



Part	Article-Nr.	L	Colour
1021	102103C	3 m	white
1021	102103	6 m	white
1021	102103-30	30 m	white
1021	102103-75	75 m	white

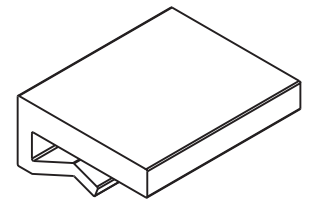


Fit on 3 mm

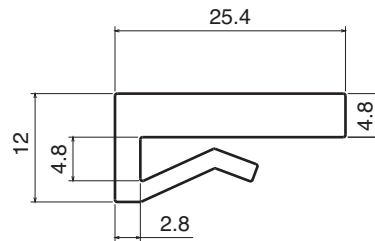
30 m 3/6 m

• US STANDARD

### Profilo J-Leg 25.4 / J-Leg Profile 25.4 / J-Leg Profil 25.4



Part	Article-Nr.	L	Colour
1022	102203C	3 m	white
1022	102203	6 m	white
1022	102203-30	30 m	white

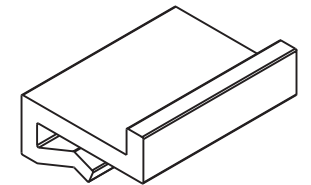


Fit on 3 mm

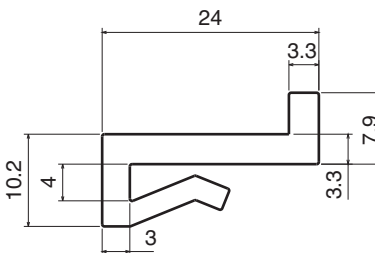
30 m 3/6 m

• US STANDARD

### Profilo J-Leg 25.4 / J-Leg Profile 25.4 / J-Leg Profil 25.4



Part	Article-Nr.	L	Colour
1023	102303C	3 m	white
1023	102303	6 m	white

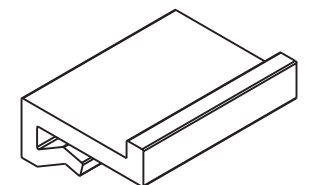


Fit on 3 mm

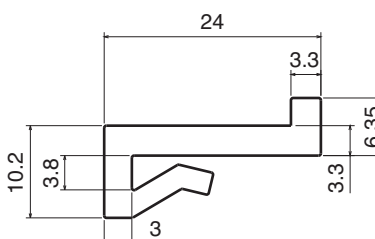
3/6 m

• US STANDARD

### Profilo J-Leg 25.4 / J-Leg Profile 25.4 / J-Leg Profil 25.4



Part	Article-Nr.	L	Colour
1024	102403C	3 m	white
1024	102403	6 m	white
1024	102403-30	30 m	white



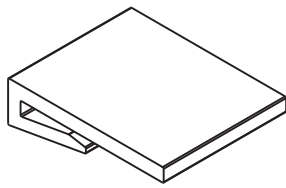
Fit on 3 mm

30 m 3/6 m

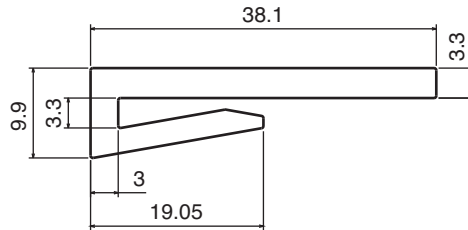
• US STANDARD

- RED = STOCK ITEM
- BLACK = ON REQUEST
- US STANDARD

**Material:**  
 Polyethylene UHMW-PE with molecular density 5,600,000 g/mol  
 Linear expansion coefficient:  $1.1 \times 10^{-4} \text{ } ^\circ\text{F}^{-1}$  ( $2 \times 10^{-4} \text{ } ^\circ\text{C}^{-1}$ )  
 Operating temperature: -40 to 176°F (-40 to +80°C)

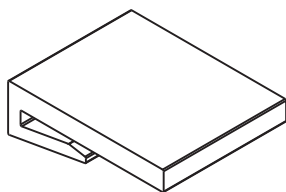


## Profilo J-Leg 38.1 / J-Leg Profile 38.1 / J-Leg Profil 38.1

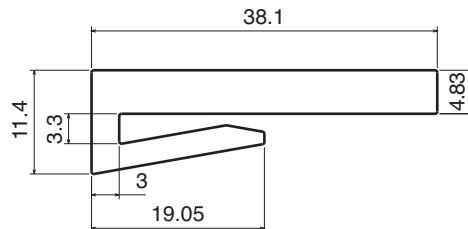


Part	Article-Nr.	L	Colour
1025	102503C	3 m	white
1025	102503	6 m	white
1025	102503-30	30 m	white


Fit on 3 mm    
 • US STANDARD

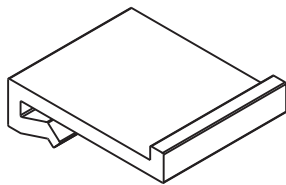


## Profilo J-Leg 38.1 / J-Leg Profile 38.1 / J-Leg Profil 38.1

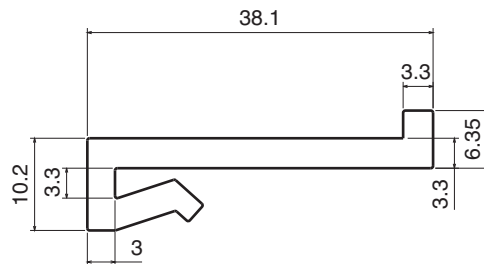


Part	Article-Nr.	L	Colour
1026	102603C	3 m	white
1026	102603	6 m	white

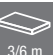
Fit on 3 mm   
 • US STANDARD

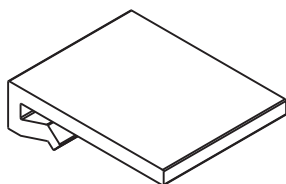


## Profilo J-Leg 38.1 / J-Leg Profile 38.1 / J-Leg Profil 38.1

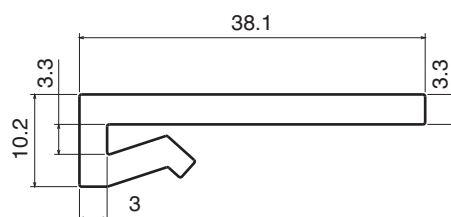


Part	Article-Nr.	L	Colour
1027	102703C	3 m	white
1027	102703	6 m	white


Fit on 3 mm   
 • US STANDARD



## Profilo J-Leg 38.1 / J-Leg Profile 38.1 / J-Leg Profil 38.1



Part	Article-Nr.	L	Colour
1028	102803C	3 m	white
1028	102803	6 m	white

Fit on 3 mm   
 • US STANDARD

**Material:**

Polyethylene UHMW-PE with molecular density 5,600,000 g/mol  
 Linear expansion coefficient:  $1.1 \times 10^{-4} \text{ } ^\circ\text{F}^{-1}$  ( $2 \times 10^{-4} \text{ } ^\circ\text{C}^{-1}$ )  
 Operating temperature: -40 to 176°F (-40 to +80°C)

- RED = STOCK ITEM
- BLACK = ON REQUEST
- US STANDARD

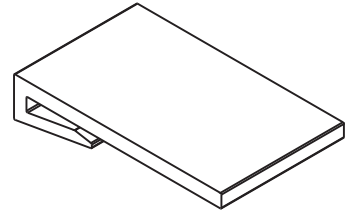
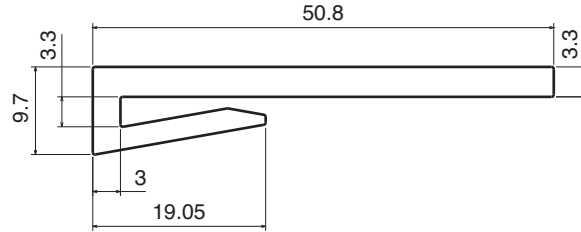
### Profilo J-Leg 50.8 / J-Leg Profile 50.8 / J-Leg Profil 50.8

Part	Article-Nr.	L	Colour
1029	102903C	3 m	white
1029	102903	6 m	white



Fit on 3 mm

• US STANDARD



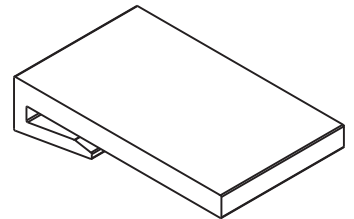
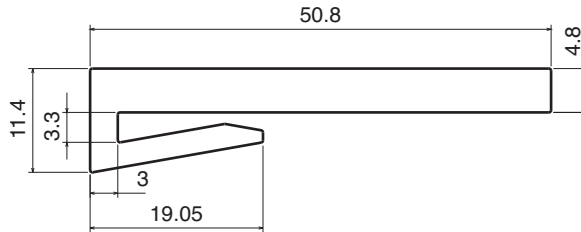
### Profilo J-Leg 50.8 / J-Leg Profile 50.8 / J-Leg Profil 50.8

Part	Article-Nr.	L	Colour
1030	103003C	3 m	white
1030	103003	6 m	white



Fit on 3 mm

• US STANDARD



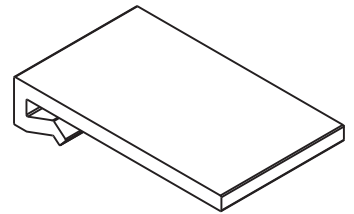
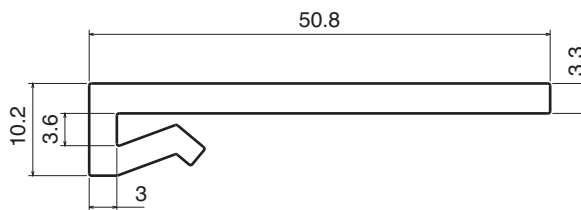
### Profilo J-Leg 50.8 / J-Leg Profile 50.8 / J-Leg Profil 50.8

Part	Article-Nr.	L	Colour
1031	103103C	3 m	white
1031	103103	6 m	white



Fit on 3 mm

• US STANDARD



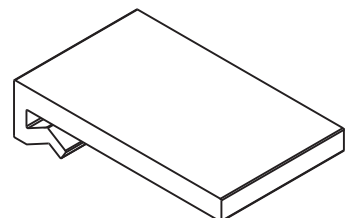
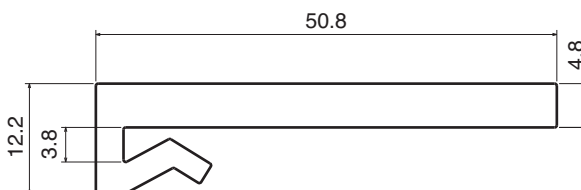
### Profilo J-Leg 50.8 / J-Leg Profile 50.8 / J-Leg Profil 50.8

Part	Article-Nr.	L	Colour
1032	103203C	3 m	white
1032	103203	6 m	white



Fit on 3 mm

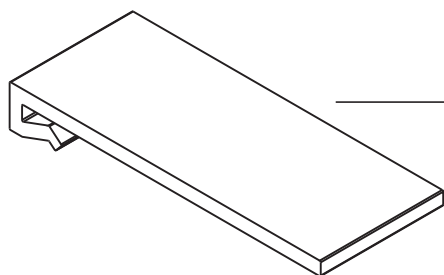
• US STANDARD



- RED = STOCK ITEM
- BLACK = ON REQUEST
- US STANDARD

**Material:**

Polyethylene UHMW-PE with molecular density 5,600,000 g/mol  
 Linear expansion coefficient:  $1.1 \times 10^{-4} \text{ } ^\circ\text{F}^{-1}$  ( $2 \times 10^{-4} \text{ } ^\circ\text{C}^{-1}$ )  
 Operating temperature: -40 to 176°F (-40 to +80°C)

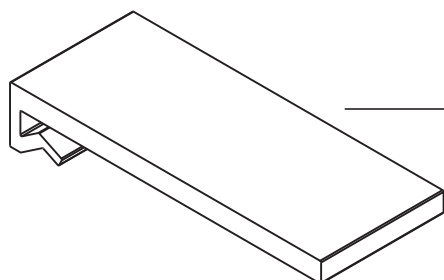
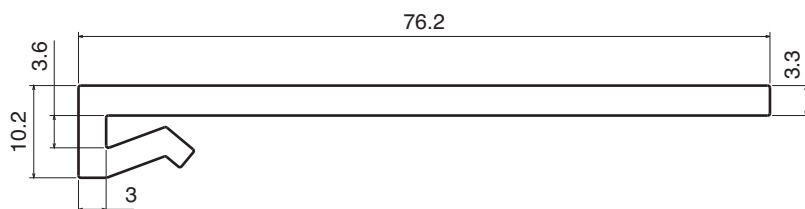


## Profilo J-Leg 76.2 / J-Leg Profile 76.2 / J-Leg Profil 76.2

Part	Article-Nr.	L	Colour
1033	103303C	3 m	white
1033	103303	6 m	white

Fit on 3 mm

• US STANDARD

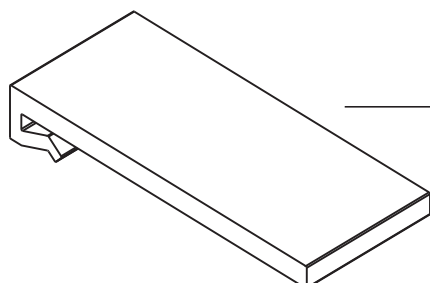
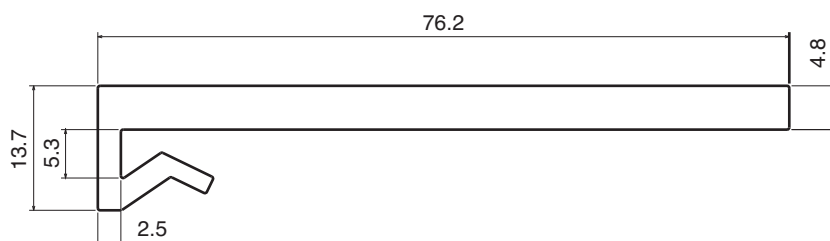


## Profilo J-Leg 76.2 / J-Leg Profile 76.2 / J-Leg Profil 76.2

Part	Article-Nr.	L	Colour
1034	103403C	3 m	white
1034	103403	6 m	white

Fit on 3 mm

• US STANDARD

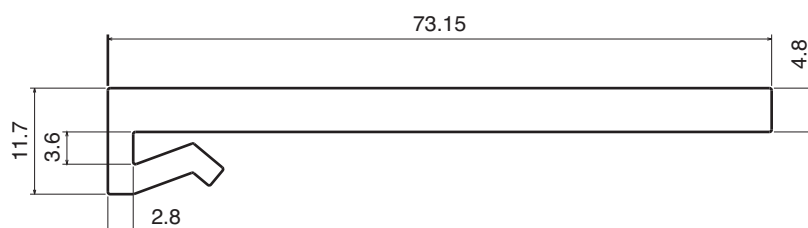


## Profilo J-Leg 73 / J-Leg Profile 73 / J-Leg Profil 73

Part	Article-Nr.	L	Colour
1035	103503C	3 m	white
1035	103503	6 m	white

Fit on 3 mm

• US STANDARD



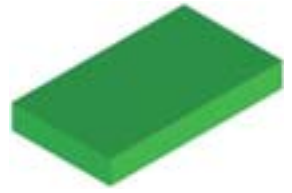


**Material:**

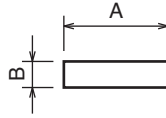
Polyethylene UHMW-PE with molecular density 5.600.000 g/mol  
 Linear expansion coefficient:  $1.1 \times 10^{-4} \text{ } ^\circ\text{F}^{-1}$  ( $2 \times 10^{-4} \text{ } ^\circ\text{C}^{-1}$ )  
 Operating temperature: -40 to 176°F (-40 to +80°C)

- RED = STOCK ITEM
- BLACK = ON REQUEST

## Profilo piatto / Flat profile / Flachprofil



Part	Article-Nr.	A	B	Colour
105	10501	20	3	black
105	10502	20	3	green
105	10503	20	5	black
105	10504	20	5	green
105	10596	40	3	green
105	10505	60	3	black
105	10506	60	3	green
105	10507	70	3	black
105	10508	70	3	green



On request available in white color

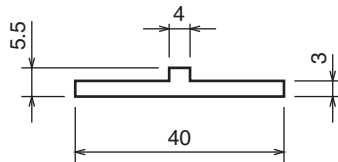


## Profilo guida catena / Flat profile with nose / Wulst-Profil



Part	Article-Nr.	Colour
106	10601	black
106	10602	green

On request available in white color

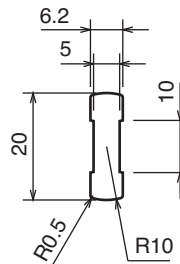


## Profilo guida catena / Wear strip / Rückführleiste



Part	Article-Nr.	Colour
107	10701	black
107	10702	green

On request available in white color

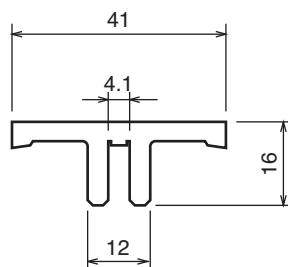


## Profilo T / T-profile / T-Profil



Part	Article-Nr.	L	Colour
108	10801C	3 m	black
108	10801	6 m	black
108	10802C	3 m	green
108	10802	6 m	green

On request available in white color  
 Fit on 4 mm



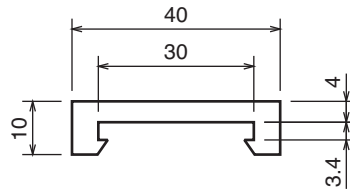
- RED = STOCK ITEM
- BLACK = ON REQUEST

**Material:**

Polyethylene UHMW-PE with molecular density 5,600,000 g/mol  
 Linear expansion coefficient:  $1.1 \times 10^{-4} \text{ } ^\circ\text{F}^{-1}$  ( $2 \times 10^{-4} \text{ } ^\circ\text{C}^{-1}$ )  
 Operating temperature: -40 to 176°F (-40 to +80°C)

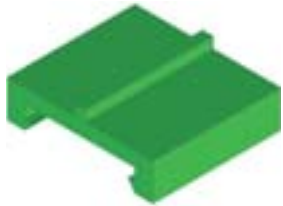


**Profilo clip-on guida catena / Flat clip-on wear strip / U-Profil Clip-on**

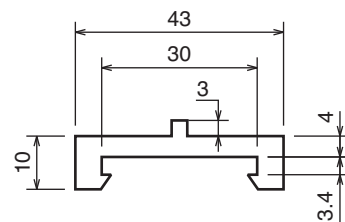


Part	Article-Nr.	L	Colour
109	10901C	3 m	black
109	10901	6 m	black
109	10902C	3 m	green
109	10902	6 m	green

On request available in white color

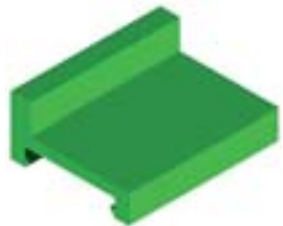


**Profilo clip-on guida catena con bordo / Flat clip-on wear strip with nose / U-Profil Clip-on mit Nase**

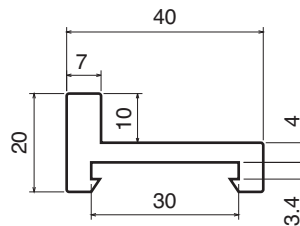


Part	Article-Nr.	L	Colour
110	11001C	3 m	black
110	11001	6 m	black
110	11002C	3 m	green
110	11002	6 m	green

On request available in white color



**Profilo clip-on guida tappeto / Clip-on wear strip for belt / Clip-on m. Seitenführung**

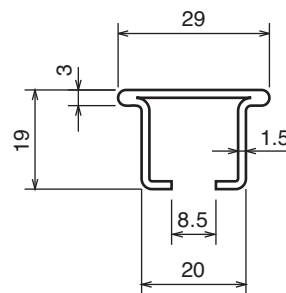


Part	Article-Nr.	L	Colour
156	15601C	3 m	black
156	15601	6 m	black
156	15602C	3 m	green
156	15602	6 m	green

On request available in white color



**Profilo / Profile / Profil**

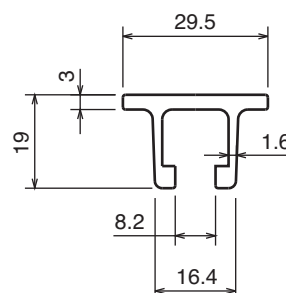


Part	Article-Nr.	L	Material
112	11201C	3 m	AISI 304
112	11201	6 m	AISI 304
112	11202C	3 m	AISI 430
112	11202	6 m	AISI 430

Assembly with accessories at pages 165-166



**Profilo in alluminio / Aluminum profile / Aluminium-Profil**



Part	Article-Nr.	L	Material
147	14701C	3 m	aluminum
147	14701	6 m	aluminum

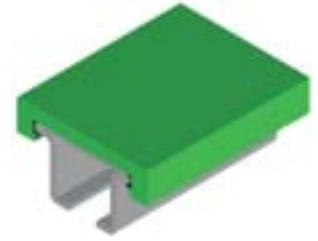


**Material:**

Polyethylene UHMW-PE with molecular density 5,600,000 g/mol  
Linear expansion coefficient:  $1.1 \times 10^{-4} \text{ } ^\circ\text{F}^{-1}$  ( $2 \times 10^{-4} \text{ } ^\circ\text{C}^{-1}$ )  
Operating temperature: -40 to 176°F (-40 to +80°C)

- RED = STOCK ITEM
- BLACK = ON REQUEST

**Profilo assemblato clip-on / Profile assembled clip-on / Profile montiert clip-on**

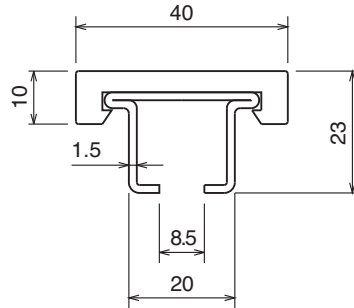


Part	Article-Nr.	L	Material	Colour
133	<b>13301C</b>	3 m	AISI 304	green
133	<b>13301</b>	6 m	AISI 304	green
133	<b>13302C</b>	3 m	AISI 430	green
133	<b>13302</b>	6 m	AISI 430	green

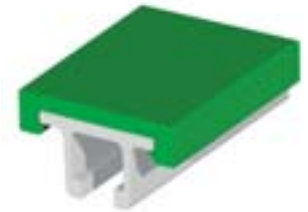
On request available in white color



Assembly with accessories at pages 165-166

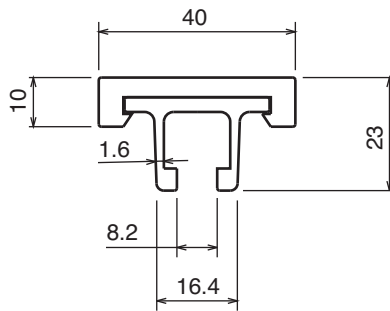


**Profilo assemblato clip-on / Profile assembled clip-on / Profile montiert clip-on**

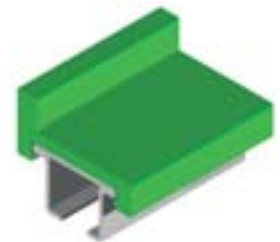


Part	Article-Nr.	L	Material	Colour
148	<b>14801C</b>	3 m	aluminum	green
148	<b>14801</b>	6 m	aluminum	green

On request available in white color



**Profilo guida tappeto assemblato / Wear strip assembled for belt / Gleitleiste für mattenketten kpl montiert**

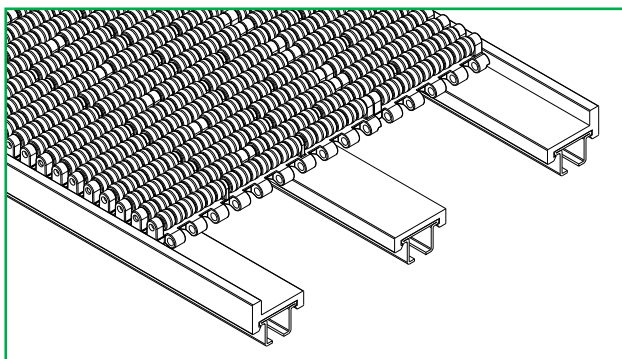
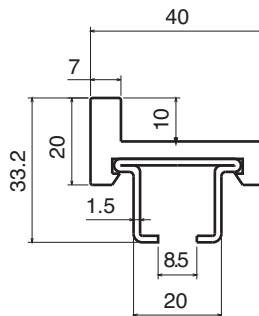


Part	Article-Nr.	L	Material	Colour
157	<b>15701C</b>	3 m	AISI 304	green
157	<b>15701</b>	6 m	AISI 304	green
157	<b>15702C</b>	3 m	AISI 430	green
157	<b>15702</b>	6 m	AISI 430	green

On request available in white color



Assembly with accessories at pages 165-166



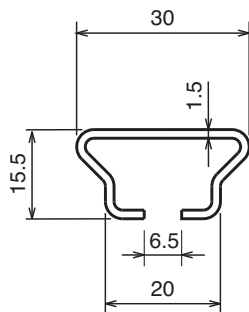
- RED = STOCK ITEM
- BLACK = ON REQUEST

**Material:**

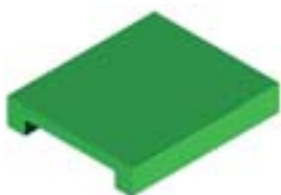
Polyethylene UHMW-PE with molecular density 5,600,000 g/mol  
 Linear expansion coefficient:  $1.1 \times 10^{-4} \text{ } ^\circ\text{F}^{-1}$  ( $2 \times 10^{-4} \text{ } ^\circ\text{C}^{-1}$ )  
 Operating temperature: -40 to 176°F (-40 to +80°C)



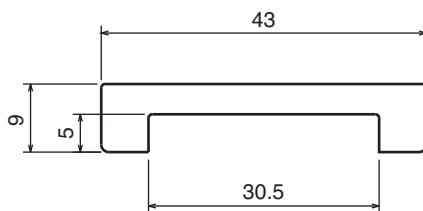
### Profilo Delta / D-Profile / D-Profil



Part	Article-Nr.	L	Material
118	11801C	3 m	AISI 304
118	11801	6 m	AISI 304
118	11802C	3 m	AISI 430
118	11802	6 m	AISI 430



### Profilo ad "U" / U-profile / U-Profil

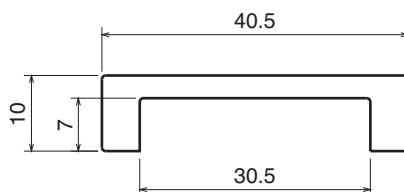


Part	Article-Nr.	L	Colour
177	17701C	3 m	black
177	17701	6 m	black
177	17702C	3 m	green
177	17702	6 m	green

On request available in white color

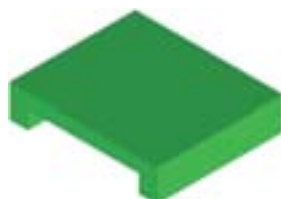


### Profilo ad "U" / U-profile / U-Profil

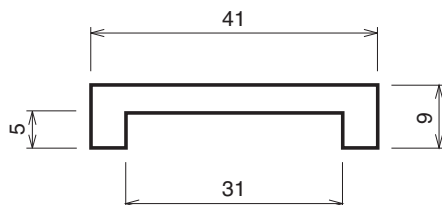


Part	Article-Nr.	L	Colour
178	17801C	3 m	black
178	17801	6 m	black
178	17802C	3 m	green
178	17802	6 m	green

On request available in white color

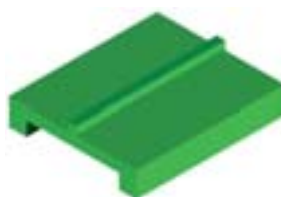


### Profilo ad "U" / U-profile / U-Profil

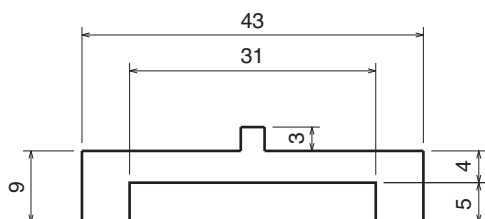


Part	Article-Nr.	L	Colour
111	11101C	3 m	black
111	11101	6 m	black
111	11102C	3 m	green
111	11102	6 m	green

On request available in white color



### Profilo ad "U" con bordo / U-profile with nose / U-Profil mit Nase



Part	Article-Nr.	L	Colour
149	14950C	3 m	black
149	14950	6 m	black
149	14952C	3 m	green
149	14952	6 m	green

On request available in white color

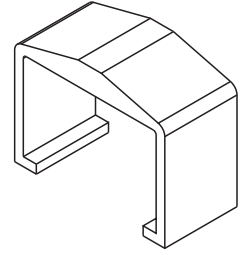


**Material:**

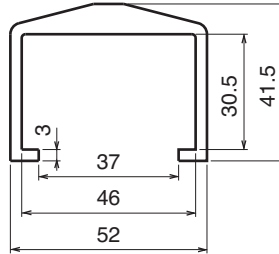
Polyethylene UHMW-PE with molecular density 5,600,000 g/mol  
 Linear expansion coefficient:  $1.1 \times 10^{-4} \text{ } ^\circ\text{F}^{-1}$  ( $2 \times 10^{-4} \text{ } ^\circ\text{C}^{-1}$ )  
 Operating temperature: -40 to 176°F (-40 to +80°C)

- RED = STOCK ITEM
- BLACK = ON REQUEST

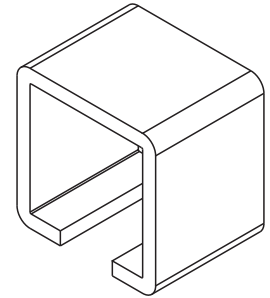
### Copri profilo / Bar cover / Abdeckprofil



Part	Article-Nr.	L	Colour
180	18003C	3 m	white
180	18003	6 m	white



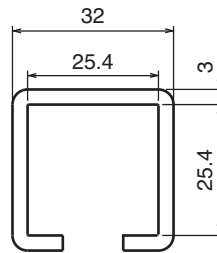
### Copri profilo 25.4x25.4 / Bar cover 25.4x25.4 / Abdeckprofil 25.4x25.4



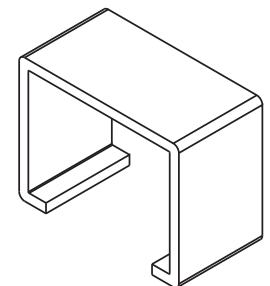
Part	Article-Nr.	L	Colour
181	18103C	3 m	white
181	18103	6 m	white



Fit on 25.4x25.4 mm



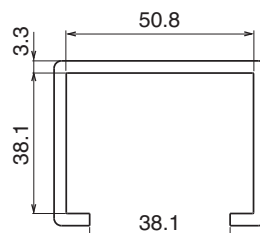
### Copri profilo 38.1x50.8 / Bar cover 38.1x50.8 / Abdeckprofil 38.1x50.8



Part	Article-Nr.	L	Colour
1052	105203C	3 m	white
1052	105203	6 m	white



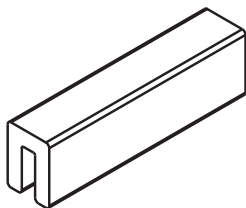
Fit on 38.1x50.8 mm



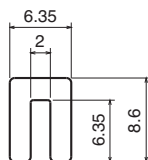
- RED = STOCK ITEM
- BLACK = ON REQUEST

**Material:**

Polyethylene UHMW-PE with molecular density 5,600,000 g/mol  
 Linear expansion coefficient:  $1.1 \times 10^{-4} \text{ } ^\circ\text{F}^{-1}$  ( $2 \times 10^{-4} \text{ } ^\circ\text{C}^{-1}$ )  
 Operating temperature: -40 to 176°F (-40 to +80°C)

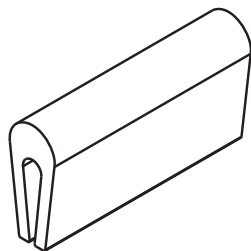


**Copri profilo 1.5 mm / Bar cap 1.5 mm / Abdeckprofil 1.5 mm**

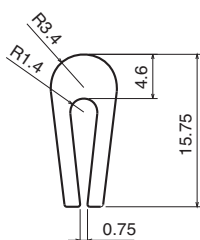


Part	Article-Nr.	L	Colour
1000	100003-30	30 m	white

Fit on 1.5 mm

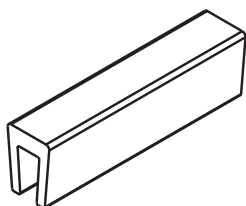


**Copri profilo 1.5 mm / Bar cap 1.5 mm / Abdeckprofil 1.5 mm**

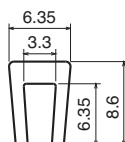


Part	Article-Nr.	L	Colour
1001	100103-30	30 m	white

Fit on 1.5 mm

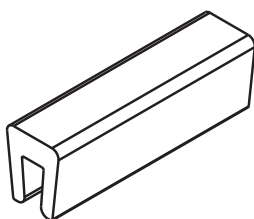


**Copri profilo 3 mm / Bar cap 3 mm / Abdeckprofil 3 mm**

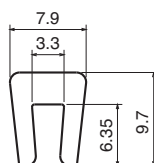


Part	Article-Nr.	L	Colour
1002	100203-30	30 m	white

Fit on 3 mm

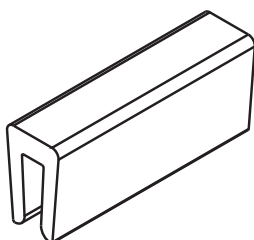


**Copri profilo 3 mm / Bar cap 3 mm / Abdeckprofil 3 mm**

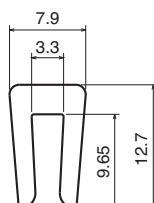


Part	Article-Nr.	L	Material
1003	100303-30	30 m	white

Fit on 3 mm



**Copri profilo 3 mm / Bar cap 3 mm / Abdeckprofil 3 mm**



Part	Article-Nr.	L	Material
1004	100403-30	30 m	white

Fit on 3 mm

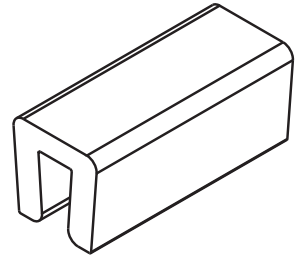


**Material:**

Polyethylene UHMW-PE with molecular density 5,600,000 g/mol  
 Linear expansion coefficient:  $1.1 \times 10^{-4} \text{ } ^\circ\text{F}^{-1}$  ( $2 \times 10^{-4} \text{ } ^\circ\text{C}^{-1}$ )  
 Operating temperature: -40 to 176°F (-40 to +80°C)

- RED = STOCK ITEM
- BLACK = ON REQUEST

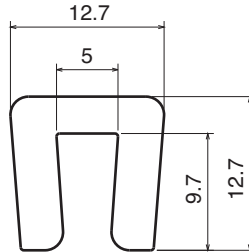
### Copri profilo 5 mm / Bar cap 5 mm / Abdeckprofil 5 mm



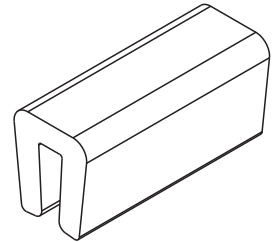
Part	Article-Nr.	L	Colour
1006	100603-30	30 m	white



Fit on 5 mm



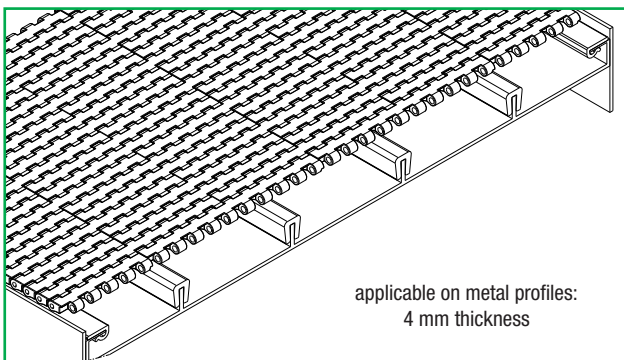
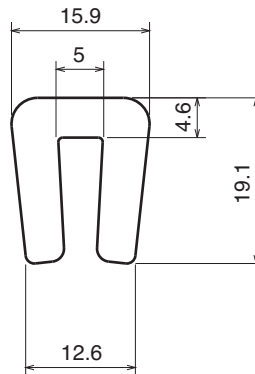
### Copri profilo 5 mm / Bar cap 5 mm / Abdeckprofil 5 mm



Part	Article-Nr.	Colour
153	15303-30	white



Fit on 5 mm

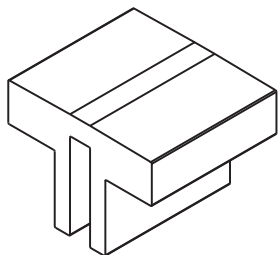


applicable on metal profiles:  
4 mm thickness

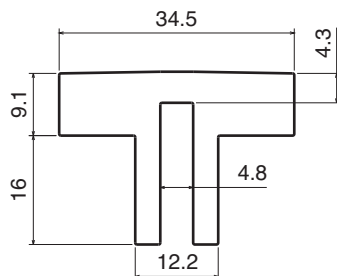
- RED = STOCK ITEM
- BLACK = ON REQUEST

**Material:**

Polyethylene UHMW-PE with molecular density 5,600,000 g/mol  
 Linear expansion coefficient:  $1.1 \times 10^{-4} \text{ } ^\circ\text{F}^{-1}$  ( $2 \times 10^{-4} \text{ } ^\circ\text{C}^{-1}$ )  
 Operating temperature: -40 to 176°F (-40 to +80°C)

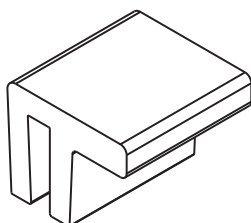


**Copri profilo 5 mm / Bar cap 5 mm / Abdeckprofil 5 mm**

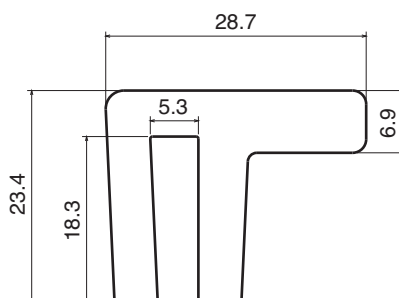


Part	Article-Nr.	L	Colour
1007	100703	6 m	white
1007	100703B	6 m	BluLub

Fit on 5 mm

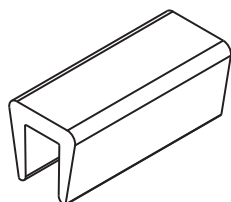


**Copri profilo 5 mm / Bar cap 5 mm / Abdeckprofil 5 mm**

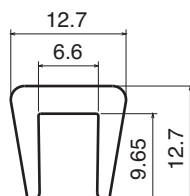


Part	Article-Nr.	L	Colour
1008	100803	6 m	white
1008	100803B	6 m	BluLub

Fit on 5 mm



**Copri profilo 6 mm / Bar cap 6 mm / Abdeckprofil 6 mm**



Part	Article-Nr.	L	Colour
1009	100903-30	30 m	white

Fit on 6 mm



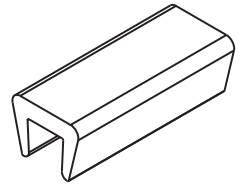


**Material:**

Polyethylene UHMW-PE with molecular density 5,600,000 g/mol  
 Linear expansion coefficient:  $1.1 \times 10^{-4} \text{ } ^\circ\text{F}^{-1}$  ( $2 \times 10^{-4} \text{ } ^\circ\text{C}^{-1}$ )  
 Operating temperature: -40 to 176°F (-40 to +80°C)

- RED = STOCK ITEM
- BLACK = ON REQUEST

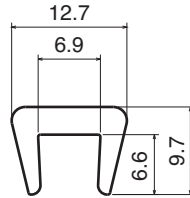
## Copri profilo 6 mm / Bar cap 6 mm / Abdeckprofil 6 mm



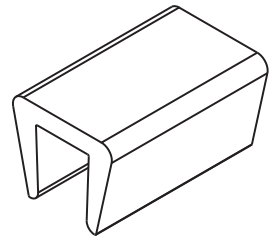
Part	Article-Nr.	L	Colour
1010	101003-30	30 m	white



Fit on 6 mm



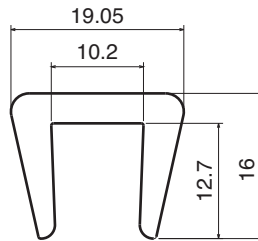
## Copri profilo 10 mm / Bar cap 10 mm / Abdeckprofil 10 mm



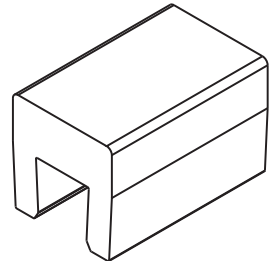
Part	Article-Nr.	L	Colour
1011	101103-30	30 m	white



Fit on 10 mm



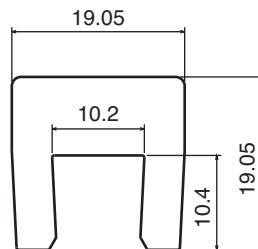
## Copri profilo 10 mm / Bar cap 10 mm / Abdeckprofil 10 mm



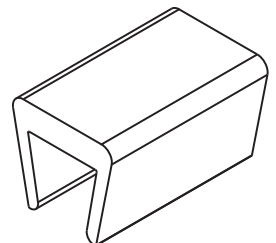
Part	Article-Nr.	L	Colour
1013	101303	6 m	white



Fit on 10 mm



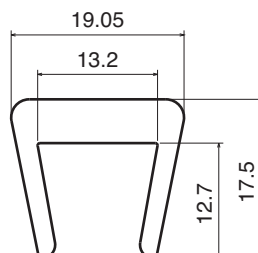
## Copri profilo 12-13 mm / Bar cap 12-13 mm / Abdeckprofil 12-13 mm



Part	Article-Nr.	L	Colour
1012	101203-30	30 m	white



Fit on 12/13 mm



# 119-120-121-152

Guide Coniche  
Guide rail  
Konische Führungen

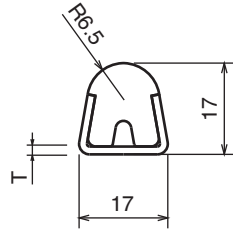
- RED = STOCK ITEM
- BLACK = ON REQUEST

Material:

Metal profile: Stainless steel  
Plastic profile UHMW-PE



## Guida conica tonda / Guide rail round / konische Führung rund



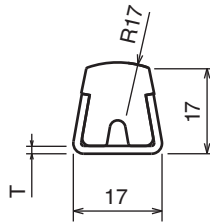
Part	Article-Nr.	Colour	Length	T	Metal profile	Type
119	11963	white	3 m	1.9	AISI 304	
119	11967	white	6 m			
119	11901C	white	3 m	1.5	AISI 304	
119	11901	white	6 m			



On request available in [BluLub](#)



## Guida conica semitonda / Guide rail modified / konische Führung semi rund



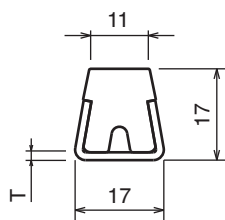
Part	Article-Nr.	Colour	Length	T	Metal profile	Type
120	12063	white	3 m	1.9	AISI 304	
120	12067	white	6 m			
120	12001C	white	3 m	1.5	AISI 304	
120	12001	white	6 m			



On request available in [BluLub](#)



## Guida conica piatta / Guide rail flat / konische Führung flach



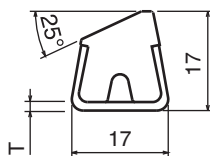
Part	Article-Nr.	Colour	Length	T	Metal profile	Type
121	12163	white	3 m	1.9	AISI 304	
121	12167	white	6 m			
121	12101C	white	3 m	1.5	AISI 304	
121	12101	white	6 m			



On request available in [BluLub](#)



## Guida conica 25° / Guide rail 25° / konische Führung 25°



Part	Article-Nr.	Colour	Length	T	Metal profile	Type
152	15263	white	3 m	1.9	AISI 304	
152	15267	white	6 m			
152	15201C	white	3 m	1.5	AISI 304	
152	15201	white	6 m			



On request available in [BluLub](#)

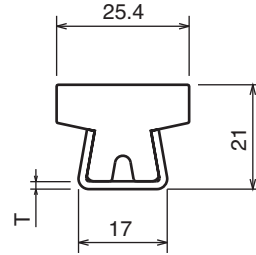
- RED = STOCK ITEM
- BLACK = ON REQUEST

**Material:**

Metal profile: Stainless steel  
Plastic profile UHMW-PE

**Guida conica profilo a T 25,4 mm / Guide rail T-shape 25,4 mm / konische Führung flach (T) 25,4 mm**

Part	Article-Nr.	Colour	Length	T	Metal profile	Type
122	12263	white	3 m	1.9	AISI 304	
122	12267	white	6 m			
122	12201C	white	3 m	1.5	AISI 304	
122	12201	white	6 m			

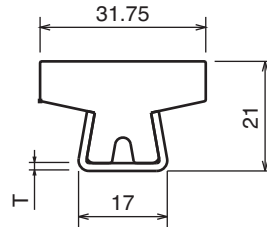


On request available in [BluLub](#)



**Guida conica profilo a T 31,75 mm / Guide rail T-shape 31,75 mm / konische Führung flach (T) 31,75 mm**

Part	Article-Nr.	Colour	Length	T	Metal profile	Type
123	12363	white	3 m	1.9	AISI 304	
123	12367	white	6 m			
123	12301C	white	3 m	1.5	AISI 304	
123	12301	white	6 m			

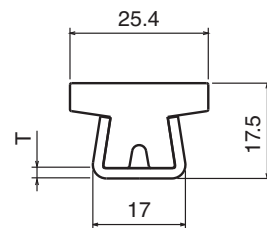


On request available in [BluLub](#)



**Guida conica profilo a T 25,4 mm / Guide rail T-shape 25,4 mm / konische Führung flach (T) 25,4 mm**

Part	Article-Nr.	Colour	Length	T	Metal profile	Type
140	14063	white	3 m	1.9	AISI 304	
140	14067	white	6 m			
140	14001C	white	3 m	1.5	AISI 304	
140	14001	white	6 m			

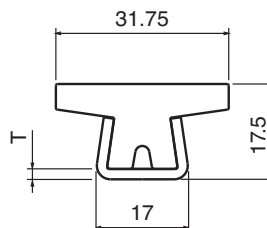


On request available in [BluLub](#)



**Guida conica profilo a T 31,75 mm / Guide rail T-shape 31,75 mm / konische Führung flach (T) 31,75 mm**

Part	Article-Nr.	Colour	Length	T	Metal profile	Type
146	14663	white	3 m	1.9	AISI 304	
146	14667	white	6 m			
146	14601C	white	3 m	1.5	AISI 304	
146	14601	white	6 m			



On request available in [BluLub](#)



# 124-143-141-142

Guide Coniche  
Guide rail  
Konische Führungen

- RED = STOCK ITEM
- BLACK = ON REQUEST

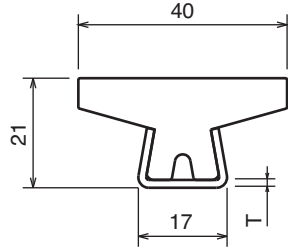
Material:

Metal profile: Stainless steel

Plastic profile UHMW-PE



## Guida conica profilo a T 40 mm / Guide rail T-shape 40 mm / konische Führung flach (T) 40 mm



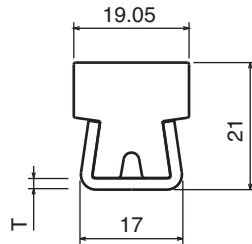
Part	Article-Nr.	Colour	Length	T	Metal profile	Type
124	12463	white	3 m	1.9	AISI 304	
124	12467	white	6 m			
124	12401C	white	3 m	1.5	AISI 304	
124	12401	white	6 m			



On request available in [BluLub](#)



## Guida conica profilo a "T" 19,05 mm / Guide rail T-shape 19,05 mm / konische Führung flach (T) 19,05 mm



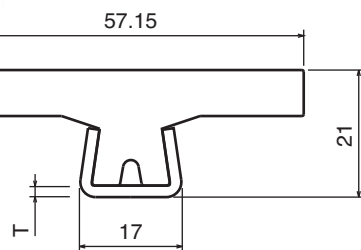
Part	Article-Nr.	Colour	Length	T	Metal profile	Type
143	14363	white	3 m	1.9	AISI 304	
143	14367	white	6 m			
143	14301C	white	3 m	1.5	AISI 304	
143	14301	white	6 m			



On request available in [BluLub](#)



## Guida conica profilo a "T" 57,15 mm / Guide rail T-shape 57,15 mm / konische Führung flach (T) 57,15 mm



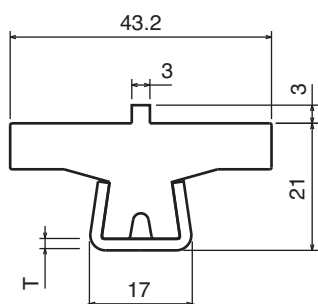
Part	Article-Nr.	Colour	Length	T	Metal profile	Type
141	14163	white	3 m	1.9	AISI 304	
141	14167	white	6 m			
141	14101C	white	3 m	1.5	AISI 304	
141	14101	white	6 m			



On request available in [BluLub](#)



## Guida conica profilo a "T" 43,2 mm / Guide rail T-shape 43,2 mm / konische Führung flach (T) 43,2 mm



Part	Article-Nr.	Colour	Length	T	Metal profile	Type
142	14263	white	3 m	1.9	AISI 304	
142	14267	white	6 m			
142	14201C	white	3 m	1.5	AISI 304	
142	14201	white	6 m			



On request available in [BluLub](#)

**Material:**

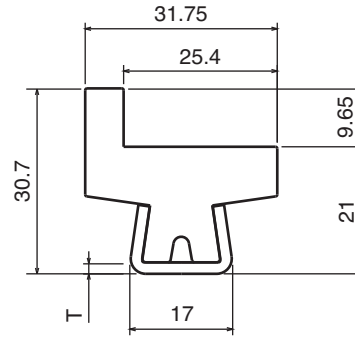
Metal profile: Stainless steel  
Plastic profile UHMW-PE

- RED = STOCK ITEM
- BLACK = ON REQUEST

**Guida conica profilo a "L" 31,75 mm / Guide rail L-shape 31,75 mm / konische Führung flach (L) 31,75 mm**

Part	Article-Nr.	Colour	Length	T	Metal profile	Type
144	14463	white	3 m	1.9	AISI 304	
144	14467	white	6 m			
144	14401C	white	3 m	1.5	AISI 304	
144	14401	white	6 m			

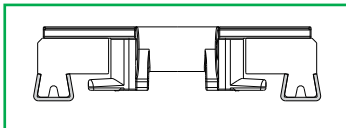
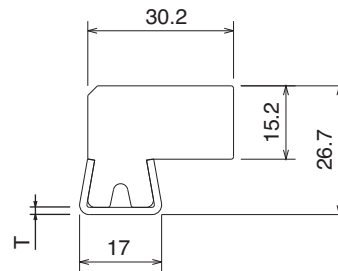
On request available in [BluLub](#)



**Guida conica per catena / Guide rail for chain / konische Führung**

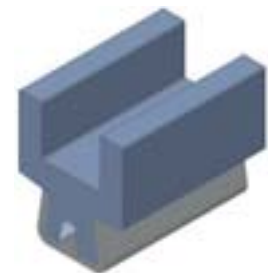
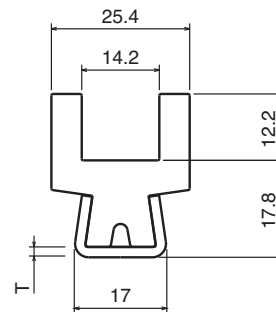
Part	Article-Nr.	Colour	Length	T	Metal profile	Type
184	18463	white	3 m	1.9	AISI 304	
184	18467	white	6 m			
184	18401C	white	3 m	1.5	AISI 304	
184	18401	white	6 m			

On request available in [BluLub](#)



**Guida tappeto / Belt side guide / Seitenführung für Mattenkette**

Part	Article-Nr.	Colour	Length	T	Metal profile	Type
145	14563	<a href="#">BluLub</a>	3 m	1.9	AISI 304	
145	14567	<a href="#">BluLub</a>	6 m			
145	14503C	<a href="#">BluLub</a>	3 m	1.5	AISI 304	
145	14503	<a href="#">BluLub</a>	6 m			



bendable profile, generally used with sideflexing belt 600 series

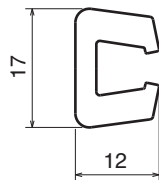
- RED = STOCK ITEM
- BLACK = ON REQUEST

**Material:**

Polyethylene UHMW-PE with molecular density 5,600,000 g/mol  
Linear expansion coefficient:  $1.1 \times 10^{-4} \text{ } ^\circ\text{F}^{-1}$  ( $2 \times 10^{-4} \text{ } ^\circ\text{C}^{-1}$ )  
Operating temperature: -40 to 176°F (-40 to +80°C)



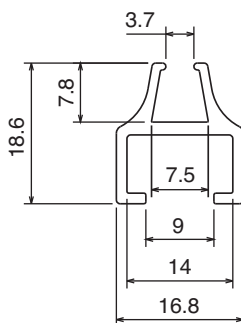
**Profilo in alluminio / Aluminum rail for bottle guide / Aluminium profil**



Part	Article-Nr.	L	Material
130	13001C	3 m	aluminium
130	13001	6 m	aluminium



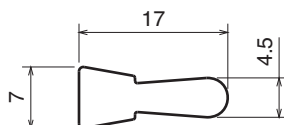
**Profilo in alluminio / Aluminum rail for bottle guide / Aluminium profil**



Part	Article-Nr.	L	Material
188	18801C	3 m	aluminium
188	13001	6 m	aluminium



**Profilo guida bottiglia / Plastic rail for bottle guide / Flaschenführungs profil**



Part	Article-Nr.	Material
131	13101	PE grey
131	13101B	BluLub III



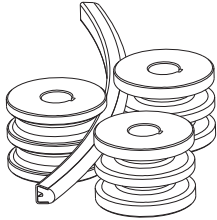
**Macchina curvatrice / Bending machine / Biegemaschine**

Part	Article-Nr.
199	P19999

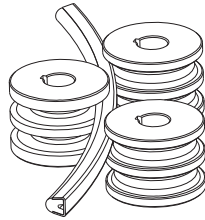
Materiale:	Material:	Materialien:
Poliamide	Polyamide	Polyamid

Rulli per macchina curvatrice / Roller for bending machine / Rollen für Biegemaschine

Internal curve



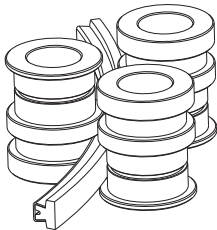
External curve



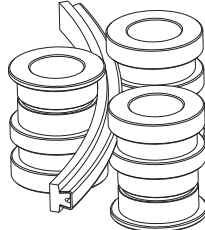
**P15101**  
 for part 119-120-121



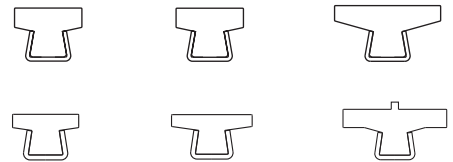
Internal curve



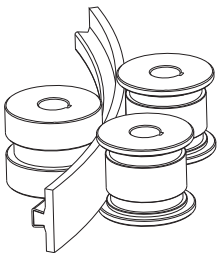
External curve



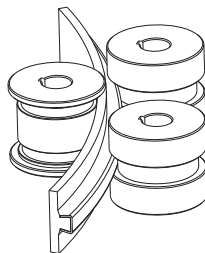
**P15102**  
 for part 122-123-124-142-140-146



Internal curve



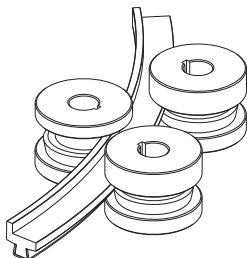
External curve



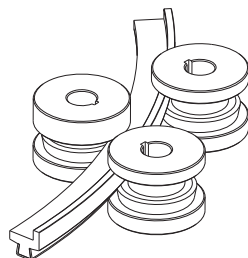
**P15103**  
 for part 141



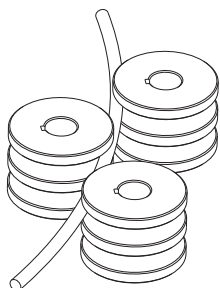
Internal curve



External curve



**P15104**  
 for part 144



**P15105**  
 for Ø8-Ø10-Ø12 - Ø1/2"-Ø5/8"

- RED = STOCK ITEM
- BLACK = ON REQUEST

**Material:**

Polyethylene UHMW-PE with molecular density 5,600,000 g/mol

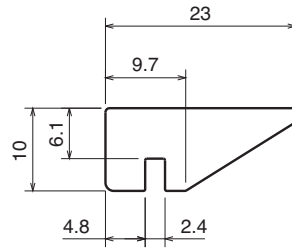
**BluLub** new material with reduced coefficient of friction and higher wear resistance.

**BluLub** complies with the code of Federal Regulations of FDA.

Linear expansion coefficient:  $1.1 \times 10^{-4} \text{ } ^\circ\text{F}^{-1}$  ( $2 \times 10^{-4} \text{ } ^\circ\text{C}^{-1}$ )

Operating temperature: -40 to 176°F (-40 to +80°C)

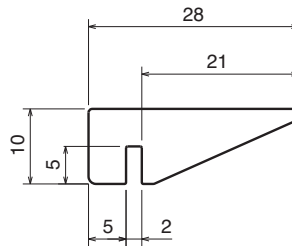
## Guida collo / Neck guide / Nackenführung



Part	Article-Nr.	L	Material
170	17001B	3 m	BluLub
170	17002B	6 m	BluLub



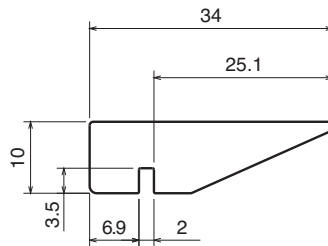
## Guida collo / Neck guide / Nackenführung



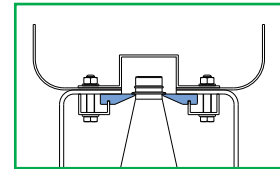
Part	Article-Nr.	L	Material
168	16801B	3 m	BluLub
168	16802B	6 m	BluLub



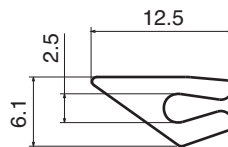
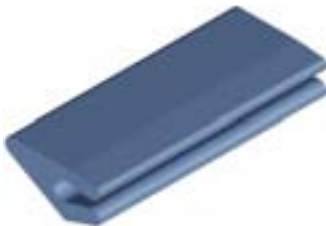
## Guida collo / Neck guide / Nackenführung



Part	Article-Nr.	L	Material
169	16901B	3 m	BluLub
169	16902B	6 m	BluLub



## Guida collo / Neck guide / Nackenführung

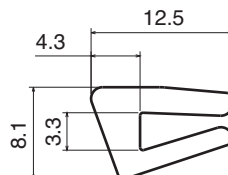


Part	Article-Nr.	L	Material
1036	103600B	30 m	BluLub

Fit on 1.8-2 mm



## Guida collo / Neck guide / Nackenführung



Part	Article-Nr.	L	Material
1037	103700B	30 m	BluLub

Fit on 3 mm





**Material:**

Polyethylene UHMW-PE with molecular density 5,600,000 g/mol

**BluLub** new material with reduced coefficient of friction and higher wear resistance.

**BluLub** complies with the code of Federal Regulations of FDA.

Linear expansion coefficient:  $1.1 \times 10^{-4} \text{ } ^\circ\text{F}^{-1}$  ( $2 \times 10^{-4} \text{ } ^\circ\text{C}^{-1}$ )

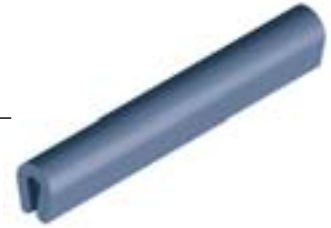
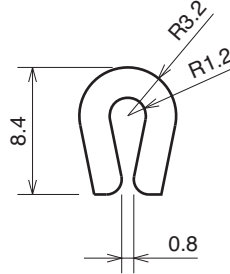
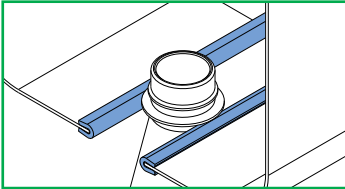
Operating temperature: -40 to 176°F (-40 to +80°C)

- RED = STOCK ITEM
- BLACK = ON REQUEST

**Guida collo / Neck guide / Nackenführung**

Part	Article-Nr.	L	Material
167	16700B-30	30 m	<b>BluLub</b>
167	16700B-75	75 m	<b>BluLub</b>

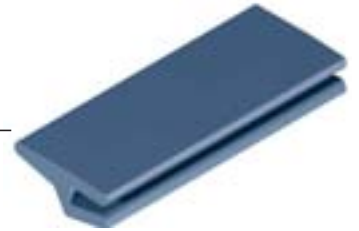
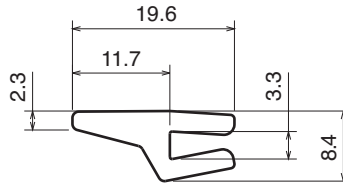
Fit on 1.8-2 mm



**Guida collo / Neck guide / Nackenführung**

Part	Article-Nr.	Material
171	17100B	<b>BluLub</b>

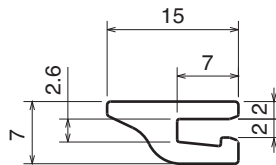
Fit on 3 mm



**Guida collo / Neck guide / Nackenführung**

Part	Article-Nr.	Material
172	17200B	<b>BluLub</b>

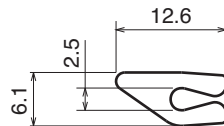
Fit on 3 mm



**Guida collo / Neck guide / Nackenführung**

Part	Article-Nr.	Material
173	17300B	<b>BluLub</b>

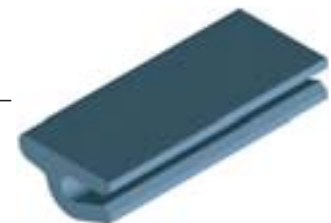
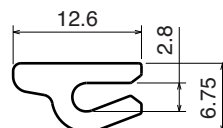
Fit on 1.8-2 mm



**Guida collo / Neck guide / Nackenführung**

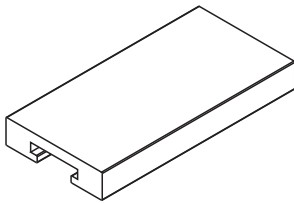
Part	Article-Nr.	Material
192	19200B	<b>BluLub</b>

Fit on 1.8-2 mm

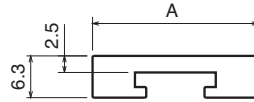


- RED = STOCK ITEM
- BLACK = ON REQUEST

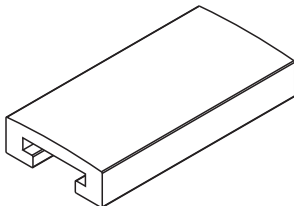
**Material:**  
Polyethylene UHMW-PE with molecular density 5,600,000 g/mol  
**BluLub** new material with reduced coefficient of friction and higher wear resistance.  
**BluLub** complies with the code of Federal Regulations of FDA.  
Linear expansion coefficient:  $1.1 \times 10^{-4} \text{ } ^\circ\text{F}^{-1}$  ( $2 \times 10^{-4} \text{ } ^\circ\text{C}^{-1}$ )  
Operating temperature: -40 to 176°F (-40 to +80°C)



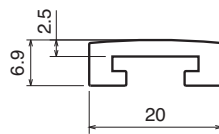
**Profilo 25 mm per guida in alluminio / Profile 25 mm for aluminum guide / C-Profil f. Aluminiumprofil**



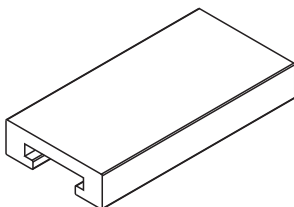
Part	Article-Nr.	A	L	Colour
163	16303C	25.4	3 m	white
163	16303	25.4	6 m	white
163	16313C	31.75	3 m	white
163	16313	31.75	6 m	white
163	16323C	35	3 m	white
163	16323	35	6 m	white
163	16324C	38.1	3 m	white
163	16324	38.1	6 m	white



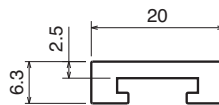
**Profilo 20 mm per guida in alluminio / Profile 20 mm for aluminum guide / C-Profil f. Aluminiumprofil**



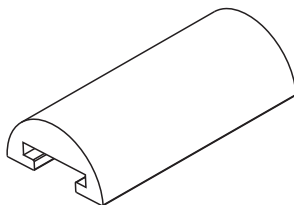
Part	Article-Nr.	L	Colour
160	16003C	3 m	white
160	16003	6 m	white



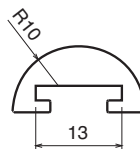
**Profilo 20 mm per guida in alluminio / Profile 20 mm for aluminum guide / C-Profil f. Aluminiumprofil**



Part	Article-Nr.	L	Colour
161	16103C	3 m	white
161	16103	6 m	white



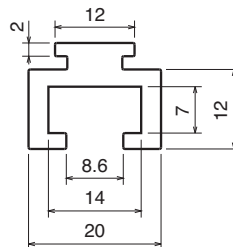
**Profilo tondo per guida in alluminio / Round profile for aluminum guide / Pilzprofil f. Aluminiumprofil**



Part	Article-Nr.	L	Colour
162	16202C	3 m	green
162	16202	6 m	green
162	16203C	3 m	white
162	16203	6 m	white



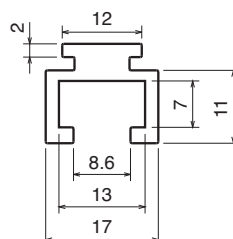
**Guida in alluminio / Aluminum guide / Aluminiumprofil**



Part	Article-Nr.	L	Material
164	16401C	3 m	aluminum
164	16401	6 m	aluminum



**Guida in alluminio / Aluminum guide / Aluminiumprofil**



Part	Article-Nr.	L	Material
165	16501C	3 m	aluminum
165	16501	6 m	aluminum



**Material:**

Polyethylene UHMW-PE with molecular density 5,600,000 g/mol

**BluLub** new material with reduced coefficient of friction and higher wear resistance.

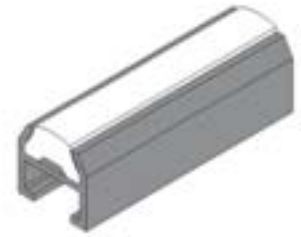
**BluLub** complies with the code of Federal Regulations of FDA.

Linear expansion coefficient:  $1.1 \times 10^{-4} \text{ } ^\circ\text{F}^{-1}$  ( $2 \times 10^{-4} \text{ } ^\circ\text{C}^{-1}$ )

Operating temperature: -40 to 176°F (-40 to +80°C)

- RED = STOCK ITEM
- BLACK = ON REQUEST

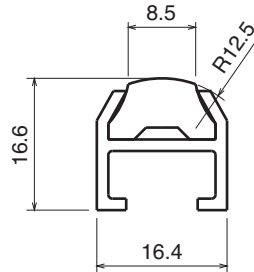
### Guida laterale / Side guide rail / Seitenführungen



Part	Article-Nr.	L	Colour
154	<b>15401C</b>	3 m	white
154	15401	6 m	white
154	<b>15401BC</b>	3 m	<b>BluLub</b>
154	15401B	6 m	<b>BluLub</b>



Fixing screw:  
M8 hex.head  
or **PART 362**



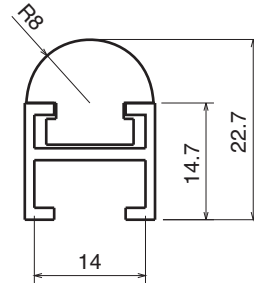
### Guida laterale / Side guide rail / Seitenführungen



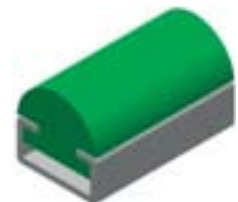
Part	Article-Nr.	L	Colour
155	<b>15501C</b>	3 m	green
155	15501	6 m	green



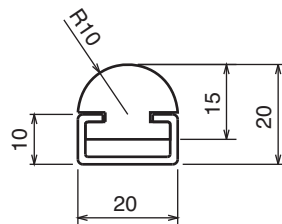
Fixing screw:  
M8 hex.head  
or **PART 362**



### Guida standard / Standard guide rail / Seitenführung



Part	Article-Nr.	L	Colour
134	<b>13401C</b>	3 m	green
134	13401	6 m	green



# 1041-1042-1043

Profili  
Profiles  
Profile

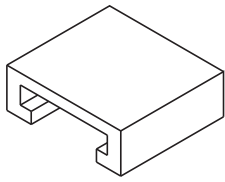
- RED = STOCK ITEM
- BLACK = ON REQUEST
- US STANDARD

**Material:**

Polyethylene UHMW-PE with molecular density 5,600,000 g/mol

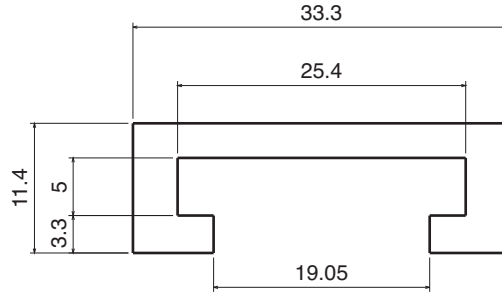
Linear expansion coefficient:  $1.1 \times 10^{-4} \text{ } ^\circ\text{F}^{-1}$  ( $2 \times 10^{-4} \text{ } ^\circ\text{C}^{-1}$ )

Operating temperature: -40 to 176°F (-40 to +80°C)



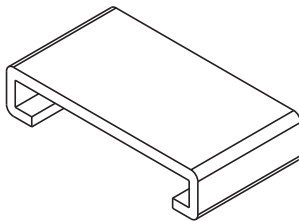
**Profilo "C" / C-Profile / C-Profil**

Part	Article-Nr.	L	Colour
1041	104103C	3 m	white
1041	104103	6 m	white



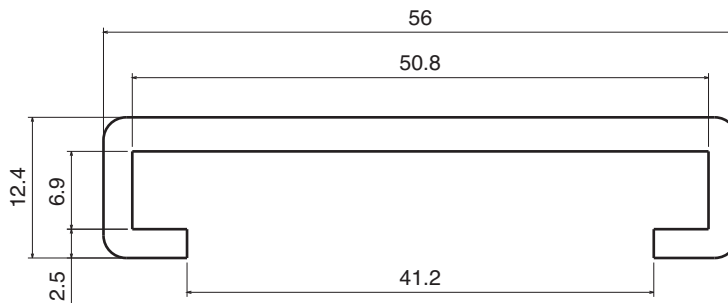
Fit on 5x25 mm

• US STANDARD



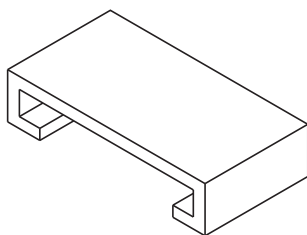
**Profilo "C" / C-Profile / C-Profil**

Part	Article-Nr.	L	Colour
1042	104203C	3 m	white
1042	104203	6 m	white



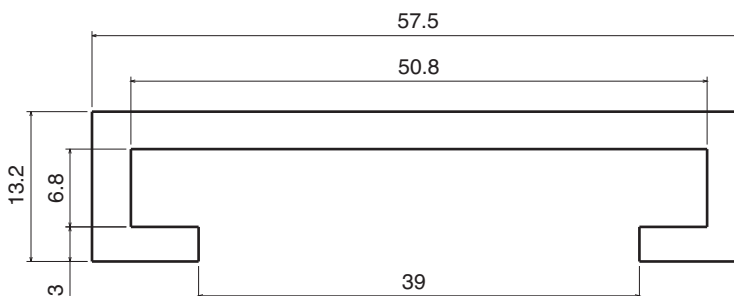
Fit on 6x50 mm

• US STANDARD



**Profilo "C" / C-Profile / C-Profil**

Part	Article-Nr.	L	Colour
1043	104303C	3 m	white
1043	104303	6 m	white



Fit on 6x50 mm

• US STANDARD



**Material:**

Polyethylene UHMW-PE with molecular density 5.600,000 g/mol  
 Linear expansion coefficient:  $1.1 \times 10^{-4} \text{ } ^\circ\text{F}^{-1}$  ( $2 \times 10^{-4} \text{ } ^\circ\text{C}^{-1}$ )  
 Operating temperature: -40 to 176°F (-40 to +80°C)

- RED = STOCK ITEM
- BLACK = ON REQUEST
- US STANDARD

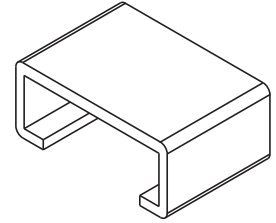
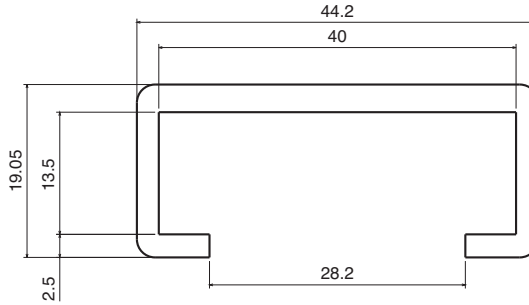
### Profilo "C" / C-Profile / C-Profil

Part	Article-Nr.	L	Colour
1044	104403C	3 m	white
1044	104403	6 m	white



Fit on 12.7x38.1 mm

• US STANDARD



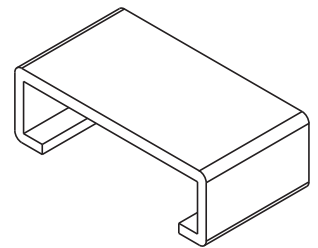
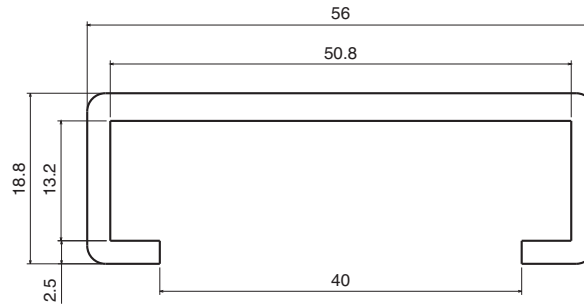
### Profilo "C" / C-Profile / C-Profil

Part	Article-Nr.	L	Colour
1045	104503C	3 m	white
1045	104503	6 m	white



Fit on 12.7x50.8 mm

• US STANDARD



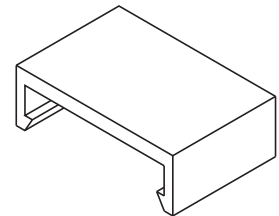
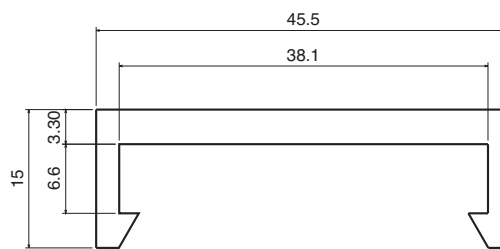
### Bar cover

Part	Article-Nr.	L	Colour
1053	105303C	3 m	white
1053	105303	6 m	white



Fit on 6.35x38.1 mm

• US STANDARD



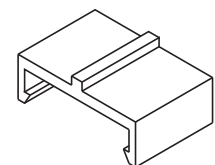
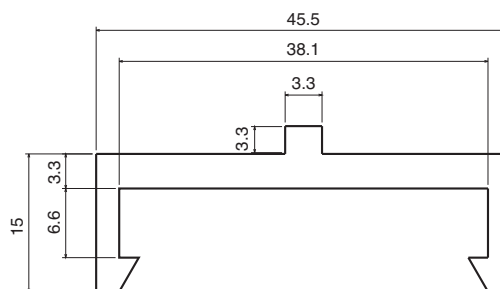
### Bar cover

Part	Article-Nr.	L	Colour
1054	105403C	3 m	white
1054	105403	6 m	white



Fit on 6.35x38.1 mm

• US STANDARD



- RED = STOCK ITEM
- BLACK = ON REQUEST

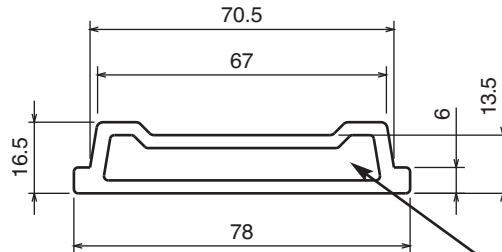
Material:

Polyethylene HMW-PE

Linear expansion coefficient:  $1.1 \times 10^{-4} \text{ } ^\circ\text{F}^{-1}$  ( $2 \times 10^{-4} \text{ } ^\circ\text{C}^{-1}$ )

Operating temperature: -40 to 176°F (-40 to +80°C)

## Guida laterale H.78 mm / Side guide H.78 mm / Seitenführung H.78 mm

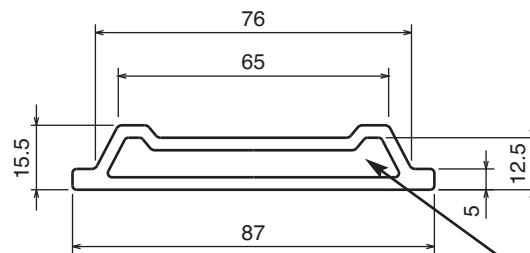


USE WITH STEEL 60x6

Part	Article-Nr.	L	Colour
135	13501C	3 m	black
135	13501	6 m	black



## Guida laterale H.87 mm / Side guide H.87 mm / Seitenführung H.87 mm

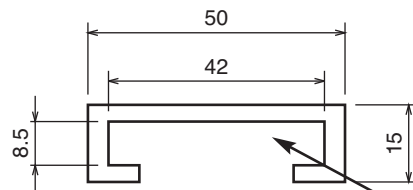


USE WITH STEEL 60x6

Part	Article-Nr.	L	Colour
136	13601C	3 m	black
136	13601	6 m	black



## Profilo "C" / C-profile / C-Profil

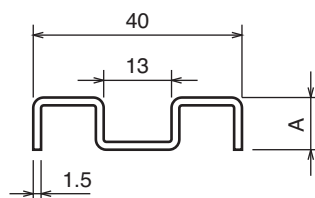


USE WITH STEEL 40x8

Part	Article-Nr.	L	Colour
137	13701C	3 m	green
137	13701	6 m	green
137	13701BC	3 m	<a href="#">BluLub</a>
137	13701B	6 m	<a href="#">BluLub</a>



## Profilo Omega / M-Profile / M-Profil



Part	Article-Nr.	L	A	Material
117	11701C	3 m	8	AISI 304
117	11701	6 m	8	AISI 304
117	11702C	3 m	10	AISI 304
117	11702	6 m	10	AISI 304



Material:

Polyethylene HMW-PE

**BluLub** new material with reduced coefficient of friction and higher wear resistance.

**BluLub** complies with the code of Federal Regulations of FDA.  
Linear expansion coefficient:  $1.1 \times 10^{-4} \text{ } ^\circ\text{F}^{-1}$  ( $2 \times 10^{-4} \text{ } ^\circ\text{C}^{-1}$ )  
Operating temperature: -40 to 176°F (-40 to +80°C)

- RED = STOCK ITEM
- BLACK = ON REQUEST

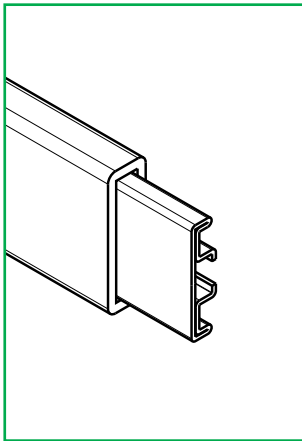
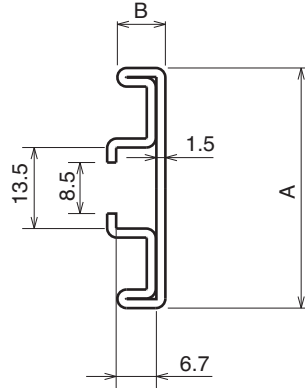
**New**



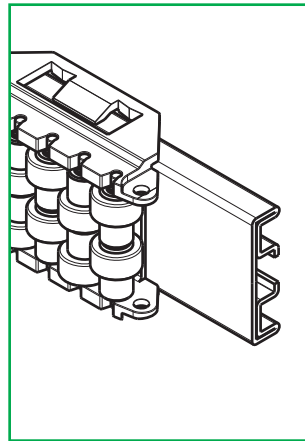
Stainless steel  
AISI 304

Guida in acciaio inox / Stainless steel guide / Edelstahlprofil

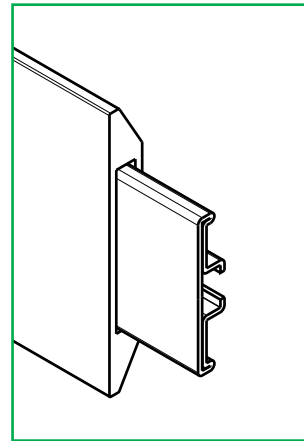
Part	Article-Nr.	L	A	B
1055	105501C	3 m	40	8
1055	105501	6 m	40	8
1055	105502C	3 m	40	10
1055	105502	6 m	40	10
1055	105503C	3 m	50	6
1055	105503	6 m	50	6
1055	105504C	3 m	60	6
1055	105504	6 m	60	6



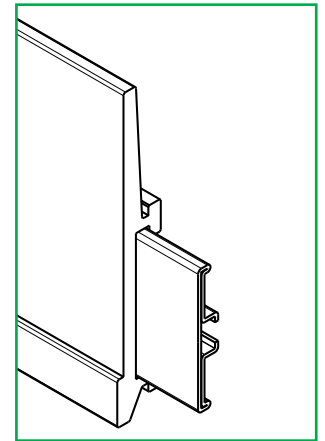
**40x8**  
used with part 13701C / 13701BC  
36301 / 36302 / 39601 / 39602  
18214C / 18214 / 18914C / 18914  
18301C / 18301



**40x10**  
used with part 36303 / 36304



**50x6**  
used with part 104203C / 104303C  
15800C / 15801C / 18224C / 18224  
18904C / 18404 / 18504C / 18504  
18524C / 18524 / 18604C / 18604  
18624C / 18624



**60x6**  
used with part 18924C / 18924  
18724C / 18724 / 19324C / 19324

Guida in alluminio / Aluminum guide / Aluminiumprofil

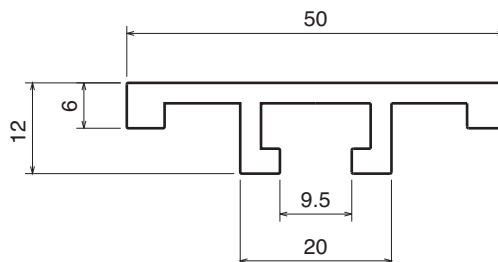
Part	Article-Nr.	L	Material
159	15901C	3 m	aluminum
159	15901	6 m	aluminum



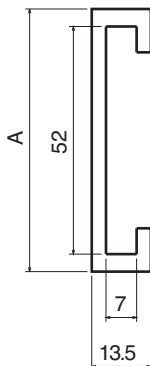
3/6 m



Fixing screw:  
M8 hex.head  
or **PART 362**

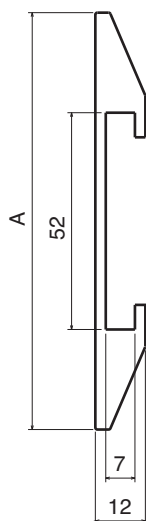
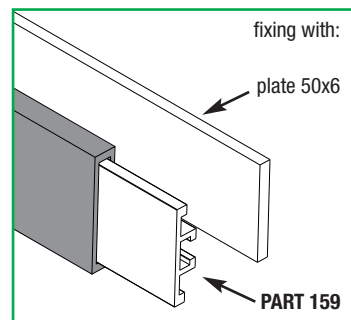


- RED = STOCK ITEM
- BLACK = ON REQUEST



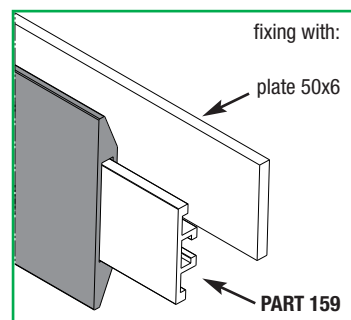
### Guida laterale / Side guide rail / Seitenführung

Part	Article-Nr.	L	A	Colour
158	<b>15800C</b>	3 m	60	grey
158	15800	6 m	60	grey
158	<b>15800BC</b>	3 m	60	<i>BluLub</i>
158	15800B	6 m	60	<i>BluLub</i>



### Guida laterale / Side guide rail / Seitenführung

Part	Article-Nr.	L	A	Colour
158	15801C	3 m	90	grey
158	15801	6 m	90	grey
158	<b>15801BC</b>	3 m	90	<i>BluLub</i>
158	15801B	6 m	90	<i>BluLub</i>
158	15802C	3 m	100	grey
158	15802	6 m	100	grey
158	<b>15802BC</b>	3 m	100	<i>BluLub</i>
158	15802B	6 m	100	<i>BluLub</i>
158	15803C	3 m	120	grey
158	15803	6 m	120	grey
158	<b>15803BC</b>	3 m	120	<i>BluLub</i>
158	15803B	6 m	120	<i>BluLub</i>





**Material:**

Polyethylene HMW-PE

**BluLub** new material with reduced coefficient of friction and higher wear resistance.

**BluLub** complies with the code of Federal Regulations of FDA.

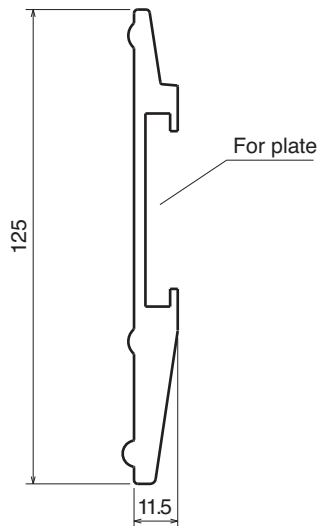
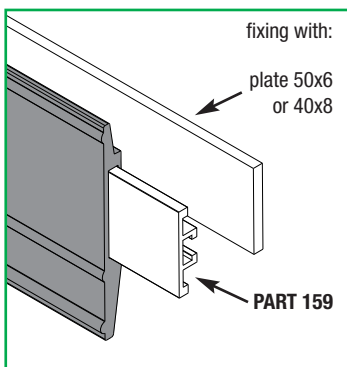
Linear expansion coefficient:  $1.1 \times 10^{-4} \text{ } ^\circ\text{F}^{-1}$  ( $2 \times 10^{-4} \text{ } ^\circ\text{C}^{-1}$ )

Operating temperature: -40 to 176°F (-40 to +80°C)

- RED = STOCK ITEM
- BLACK = ON REQUEST

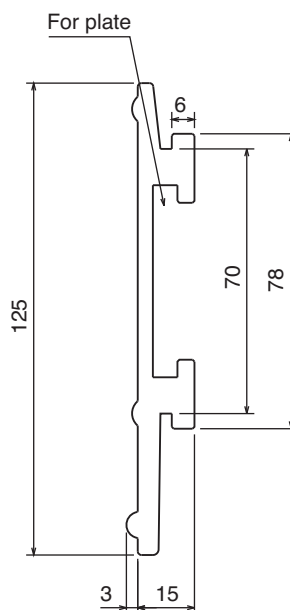
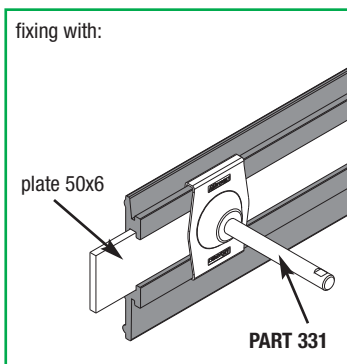
**Guida laterale / Side guide rail / Seitenführung**

Part	Article-Nr.	L	For plate	Colour
182	18204C	3 m	50x6	grey
182	18204	6 m	50x6	grey
182	18200BC	3 m	50x6	<a href="#">BluLub</a>
182	18200B	6 m	50x6	<a href="#">BluLub</a>
182	18214C	3 m	40x8	grey
182	18214	6 m	40x8	grey
182	18210BC	3 m	40x8	<a href="#">BluLub</a>
182	18210B	6 m	40x8	<a href="#">BluLub</a>

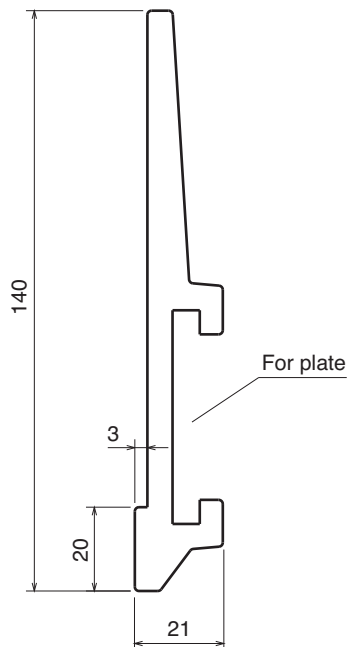


**Guida laterale / Side guide rail / Seitenführung**

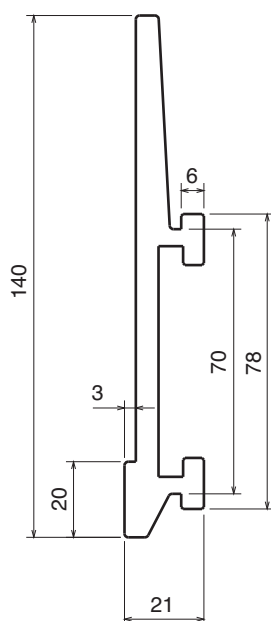
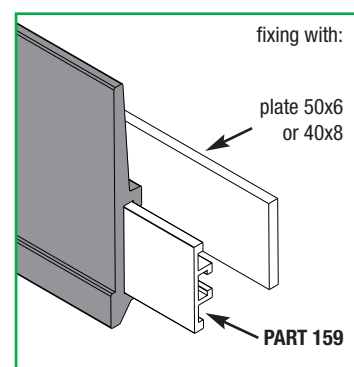
Part	Article-Nr.	L	For plate	Colour
182	18224C	3 m	50x6	grey
182	18224	6 m	50x6	grey
182	18220BC	3 m	50x6	<a href="#">BluLub</a>
182	18220B	6 m	50x6	<a href="#">BluLub</a>



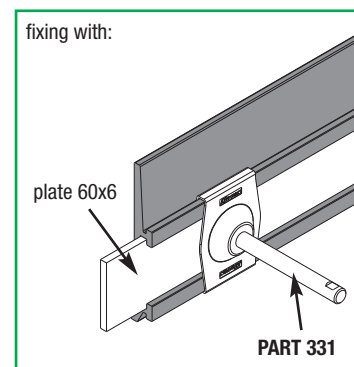
- RED = STOCK ITEM
- BLACK = ON REQUEST



Part	Article-Nr.	L	For plate	Colour
189	18904C	3 m	50x6	grey
189	18904	6 m	50x6	grey
189	18900BC	3 m	50x6	BluLub
189	18900B	6 m	50x6	BluLub
189	18914C	3 m	40x8	grey
189	18914	6 m	40x8	grey
189	18910BC	3 m	40x8	BluLub
189	18910B	6 m	40x8	BluLub



Part	Article-Nr.	L	For plate	Colour
189	18924C	3 m	60x6	grey
189	18924	6 m	60x6	grey
189	18920BC	3 m	60x6	BluLub
189	18920B	6 m	60x6	BluLub



## Guida laterale / Side guide rail / Seitenführung

## Guida laterale / Side guide rail / Seitenführung

**Material:**

Polyethylene HMW-PE

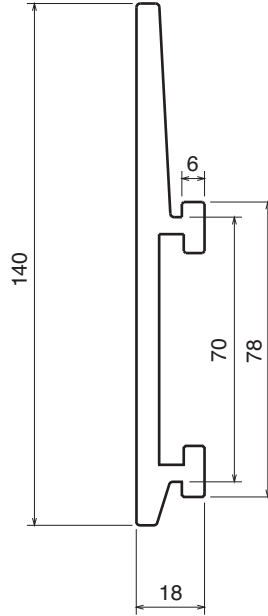
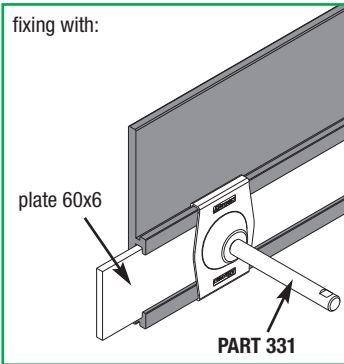
**BluLub** new material with reduced coefficient of friction and higher wear resistance.

**BluLub** complies with the code of Federal Regulations of FDA.  
Linear expansion coefficient:  $1.1 \times 10^{-4} \text{ } ^\circ\text{F}^{-1}$  ( $2 \times 10^{-4} \text{ } ^\circ\text{C}^{-1}$ )  
Operating temperature: -40 to 176°F (-40 to +80°C)

- RED = STOCK ITEM
- BLACK = ON REQUEST

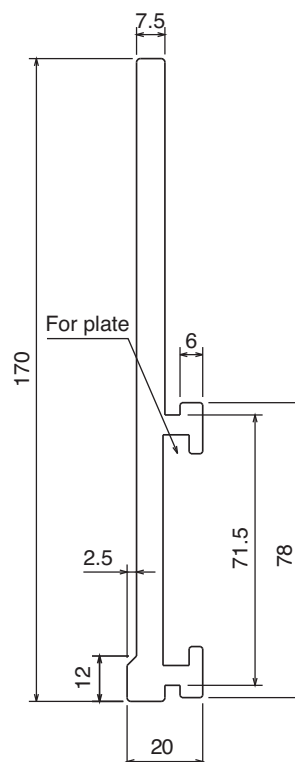
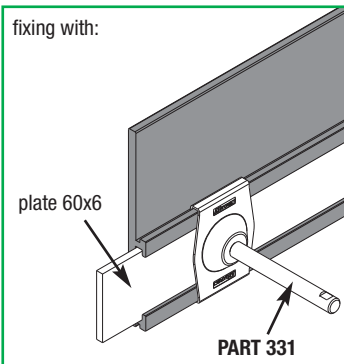
### Guida laterale / Side guide rail / Seitenführung

Part	Article-Nr.	L	For plate	Colour
193	<b>19324C</b>	3 m	60x6	grey
193	19324	6 m	60x6	grey
193	<b>19320BC</b>	3 m	60x6	<b>BluLub</b>
193	19320B	6 m	60x6	<b>BluLub</b>



### Guida laterale / Side guide rail / Seitenführung

Part	Article-Nr.	L	For plate	Colour
187	<b>18724C</b>	3 m	60x6	grey
187	18724	6 m	60x6	grey
187	<b>18720BC</b>	3 m	60x6	<b>BluLub</b>
187	18720B	6 m	60x6	<b>BluLub</b>



- RED = STOCK ITEM
- BLACK = ON REQUEST

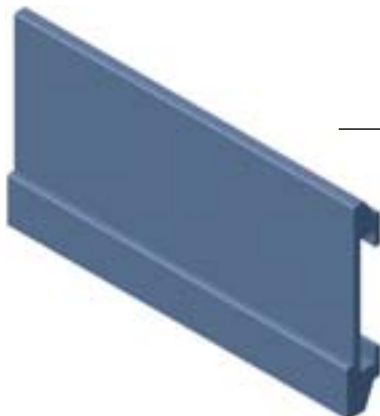
**Material:**

Polyethylene HMW-PE

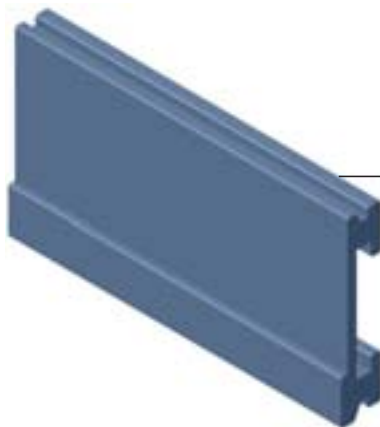
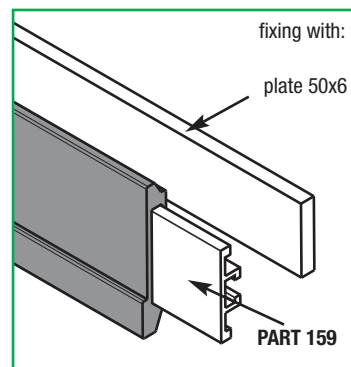
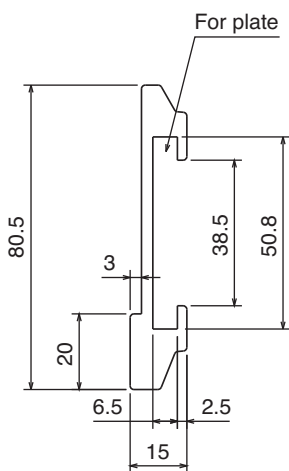
**BluLub** new material with reduced coefficient of friction and higher wear resistance.

**BluLub** complies with the code of Federal Regulations of FDA.  
Linear expansion coefficient:  $1.1 \times 10^{-4} \text{ } ^\circ\text{F}^{-1}$  ( $2 \times 10^{-4} \text{ } ^\circ\text{C}^{-1}$ )  
Operating temperature: -40 to 176°F (-40 to +80°C)

### Guida laterale / Side guide rail / Seitenführung

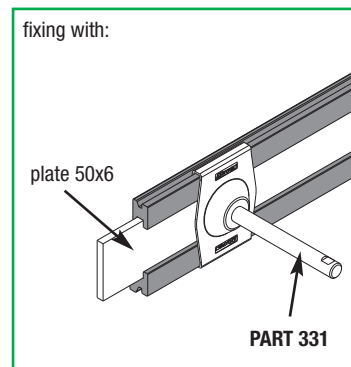
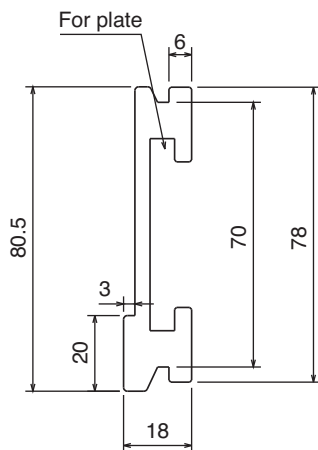


Part	Article-Nr.	L	For plate	Colour
185	18504C	3 m	50x6	grey
185	18504	6 m	50x6	grey
185	18500BC	3 m	50x6	<b>BluLub</b>
185	18500B	6 m	50x6	<b>BluLub</b>



### Guida laterale / Side guide rail / Seitenführung

Part	Article-Nr.	L	For plate	Colour
185	18524C	3 m	50x6	grey
185	18524	6 m	50x6	grey
185	18520BC	3 m	50x6	<b>BluLub</b>
185	18520B	6 m	50x6	<b>BluLub</b>



Material:

Polyethylene HMW-PE

**BluLub** new material with reduced coefficient of friction and higher wear resistance.

**BluLub** complies with the code of Federal Regulations of FDA.

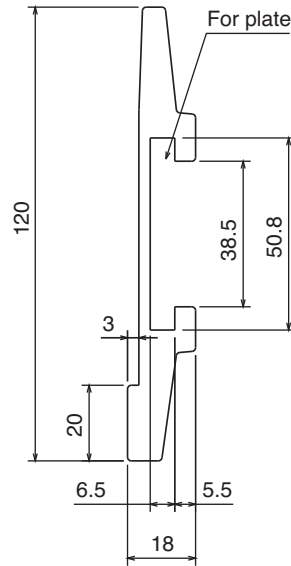
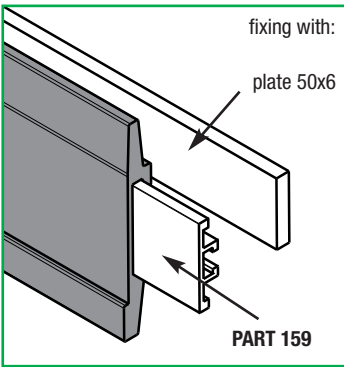
Linear expansion coefficient:  $1.1 \times 10^{-4} \text{ } ^\circ\text{F}^{-1}$  ( $2 \times 10^{-4} \text{ } ^\circ\text{C}^{-1}$ )

Operating temperature: -40 to 176°F (-40 to +80°C)

- RED = STOCK ITEM
- BLACK = ON REQUEST

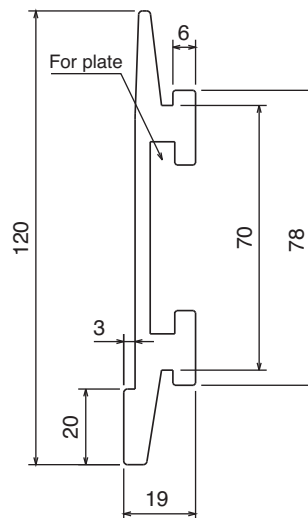
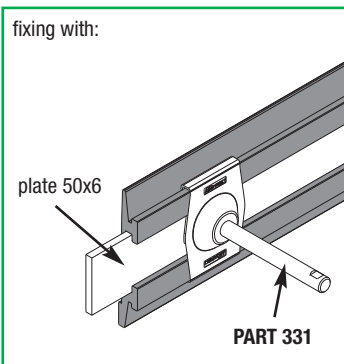
Guida laterale / Side guide rail / Seitenführung

Part	Article-Nr.	L	For plate	Colour
186	18604C	3 m	50x6	grey
186	18604	6 m	50x6	grey
186	18600BC	3 m	50x6	<b>BluLub</b>
186	18600B	6 m	50x6	<b>BluLub</b>



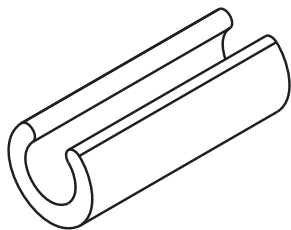
Guida laterale / Side guide rail / Seitenführung

Part	Article-Nr.	L	For plate	Colour
186	18624C	3 m	50x6	grey
186	18624	6 m	50x6	grey
186	18620BC	3 m	50x6	<b>BluLub</b>
186	18620B	6 m	50x6	<b>BluLub</b>

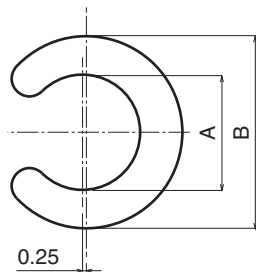


- RED = STOCK ITEM
- BLACK = ON REQUEST

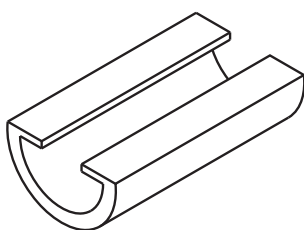
**Material:**  
Polyethylene UHMW-PE with molecular density 5,600,000 g/mol  
**BluLub** new material with reduced coefficient of friction and higher wear resistance.  
**BluLub** complies with the code of Federal Regulations of FDA.  
Linear expansion coefficient:  $1.1 \times 10^{-4} \text{ } ^\circ\text{F}^{-1}$  ( $2 \times 10^{-4} \text{ } ^\circ\text{C}^{-1}$ )  
Operating temperature: -40 to 176°F (-40 to +80°C)



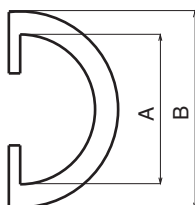
### Profilo per tondini / Round profile for steel rods / Clip-on Profil für Rundmaterial



Part	Article-Nr.	A	B	Colour
166	16601	8	12	white
166	16602	10	14	white
166	16603	12	16	white
166	16604	16	20	white



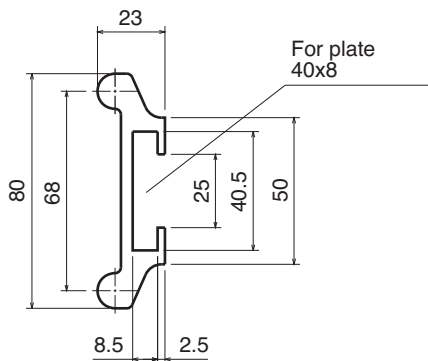
### Profilo per mezzitondi / Half round profile for steel rods / Halbmond Profil



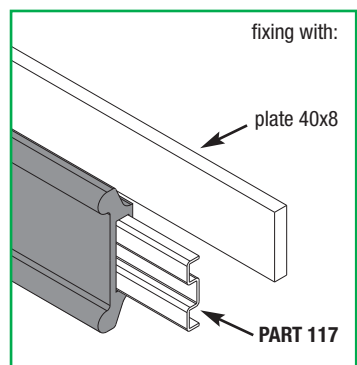
Part	Article-Nr.	L	A	B	Colour
1039	103923C	3 m	16	20	white
1039	103923	6 m	16	20	white



### Guida laterale / Side guide rail / Seitenführung



Part	Article-Nr.	L	Colour
183	18301C	3 m	black
183	18301	6 m	black
183	18301BC	3 m	<b>BluLub</b>
183	18301B	6 m	<b>BluLub</b>



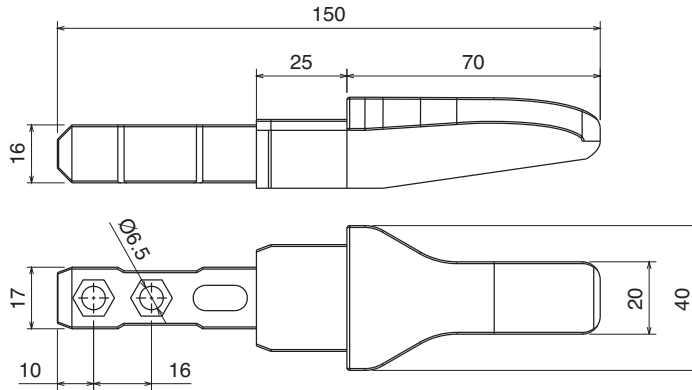
Materiale:	Material:	Materialien:
Poliamide rinforzato	Reinforced polyamide	Verstärktes Polyamid

**Pattino guida catena, centrale / Central wear strip shoe / Zentraler Einlaufschuh**

Part	Article-Nr.	Colour
113	11301	black



SENZA NERVATURA  
WITHOUT NOSE  
OHNE NASE

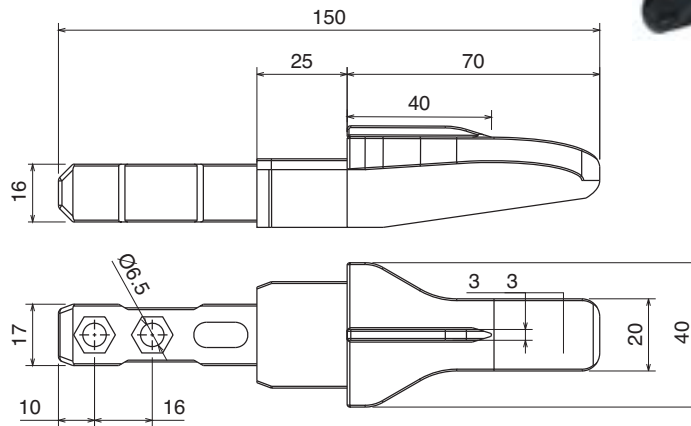


**Pattino guida catena, centrale / Central wear strip shoe / Zentraler Einlaufschuh**

Part	Article-Nr.	Colour
113	11302	black

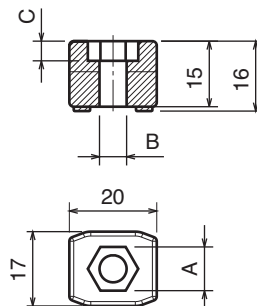


CON NERVATURA  
WITH NOSE  
MIT NASE



**Blocchetto fissaggio / Fixing clamp / Fixierblock**

Part	Article-Nr.	A	B	C	Colour
114	11401	10	6.2	4.5	black
114	11402	13	8.2	6	black



Materiale:	Material:	Materialien:
Poliamide rinforzato	Reinforced polyamide	Verstärktes Polyamid

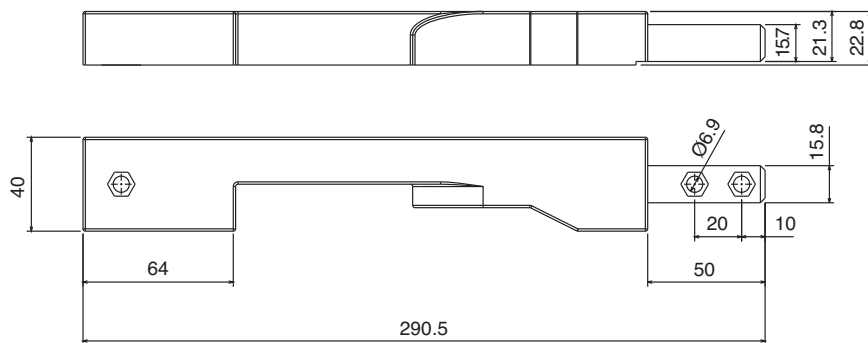


**Pattino guida catena, laterale / Side transfer guide shoe / seitlicher Tranferschuh**

Part	Article-Nr.	Colour
116	11601	black



Used with SS-profile  
Part 112  
pag. 136



LEFT VERSION

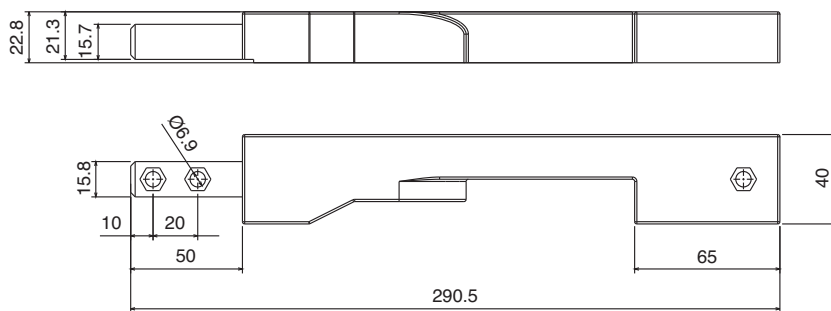


**Pattino guida catena, laterale / Side transfer guide shoe / seitlicher Tranferschuh**

Part	Article-Nr.	Colour
116	11602	black



Used with SS-profile  
Part 112  
pag. 136

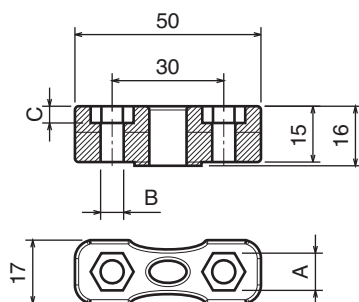


RIGHT VERSION



**Blocchetto giunzione / Connecting element / Verbindungselement**

Part	Article-Nr.	A	B	C	Colour
115	11501	10	6.2	4.5	black
115	11502	13	8.2	6	black



Used with SS-profile  
Part 112  
pag. 136



 <p>Ø40 pag. 168</p>	 <p>Ø50 pag. 168</p>	 <p>Ø60 pag. 168</p>	 <p>Ø47 pag. 169</p>	 <p>Ø57 pag. 169</p>	 <p>Ø67 pag. 169</p>
 <p>pag. 170</p>	 <p>pag. 170</p>	 <p>pag. 170</p>	 <p>pag. 171</p>	 <p>pag. 171</p>	 <p>pag. 171</p>
 <p>pag. 172</p>	 <p>pag. 172</p>	 <p>pag. 173</p>	 <p>pag. 173</p>	 <p>pag. 174</p>	
 <p>pag. 174</p>	 <p>pag. 175</p>	 <p>pag. 175</p>	 <p>pag. 175</p>		



Materiale:	Material:	Materialien:
Polietilene (PE)	Polyethylene (PE)	Polyäthylen (PE)

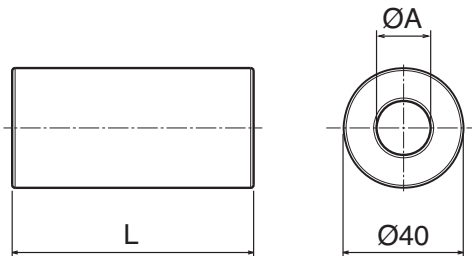
**Tenuta stagna**  
**Watertight**  
**Wasserdicht**



**Rullini di ritorno D=40 mm / Return roller D=40 mm / Rückführrolle D=40 mm**

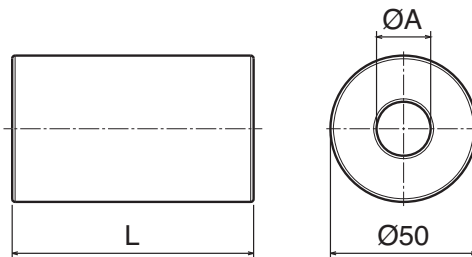
Part	Article-Nr.	L	ØA
219	21901	82,5	16
219	21902	82,5	18
219	21903	82,5	20
219	21951	41	16
219	21952	41	18
219	21953	41	20

**Range extension**



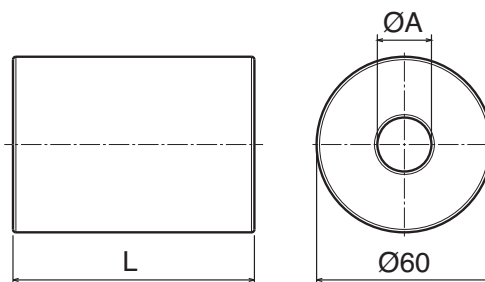
**Rullini di ritorno D=50 mm / Return roller D=50 mm / Rückführrolle D=50 mm**

Part	Article-Nr.	L	ØA
201	20101	82,5	16
201	20102	82,5	18
201	20103	82,5	20
201	20151	41	16
201	20152	41	18
201	20153	41	20



**Rullini di ritorno D=60 mm / Return roller D=60 mm / Rückführrolle D=60 mm**

Part	Article-Nr.	L	ØA
202	20201	82,5	16
202	20202	82,5	18
202	20203	82,5	20
202	20251	41	16
202	20252	41	18
202	20253	41	20

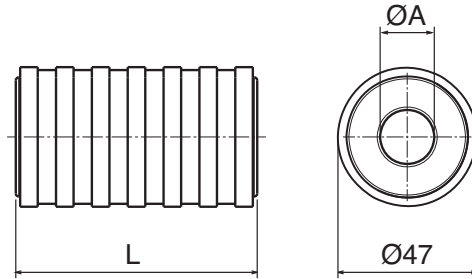


Materiale:	Material:	Materialien:
Rullino e flangia: PE	Roller and flange: PE	Rolle und Seitenscheibe: PE
Gomma: TPR	Rubber: TPR	Gummi: TPR

Tenuta stagna  
Watertight  
Wasserdicht

Rullini di ritorno gommati D=47 mm / Return roller with rubber D=47 mm / Rückführrolle gummiert D=47 mm

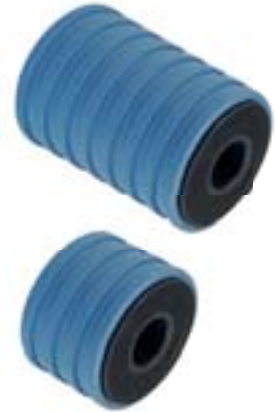
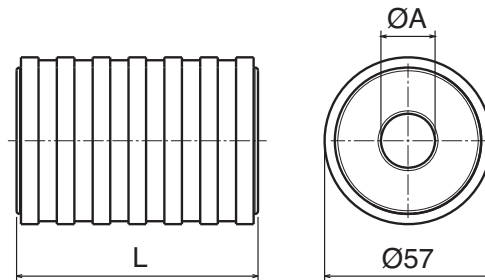
Part	Article-Nr.	L	ØA
220	22001	82,5	16
220	22002	82,5	18
220	22003	82,5	20
220	22051	41	16
220	22052	41	18
220	22053	41	20



Range extension

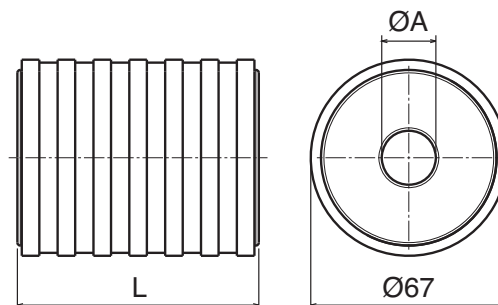
Rullini di ritorno gommati D=57 mm / Return roller with rubber D=57 mm / Rückführrolle gummiert D=57 mm

Part	Article-Nr.	L	ØA
203	20301	82,5	16
203	20302	82,5	18
203	20303	82,5	20
203	20351	41	16
203	20352	41	18
203	20353	41	20



Rullini di ritorno gommati D=67 mm / Return roller with rubber D=67 mm / Rückführrolle gummiert D=67 mm

Part	Article-Nr.	L	ØA
204	20401	82,5	16
204	20402	82,5	18
204	20403	82,5	20
204	20451	41	16
204	20452	41	18
204	20453	41	20



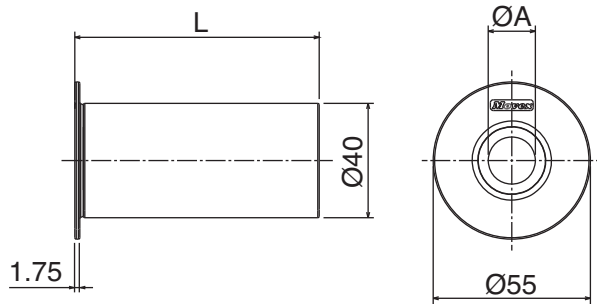
Materiale:	Material:	Materialien:
Polietilene (PE)	Polyethylene (PE)	Polyäthylen (PE)

**Tenuta stagna**  
**Watertight**  
**Wasserdicht**

Rullini di ritorno flangiati D=40 mm / Return roller with flange D=40 mm / Rückführrolle mit Seitenscheibe D=40 mm



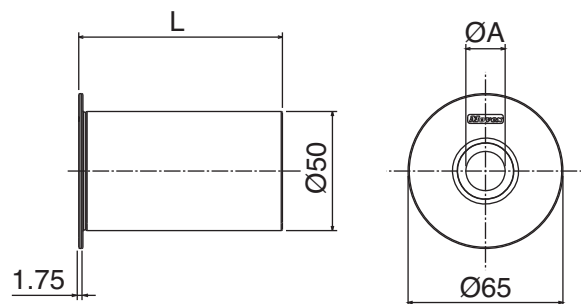
**Range extension**



Part	Article-Nr.	L	ØA
222	22201	85,5	16
222	22202	85,5	18
222	22203	85,5	20
222	22251	43	16
222	22252	43	18
222	22253	43	20



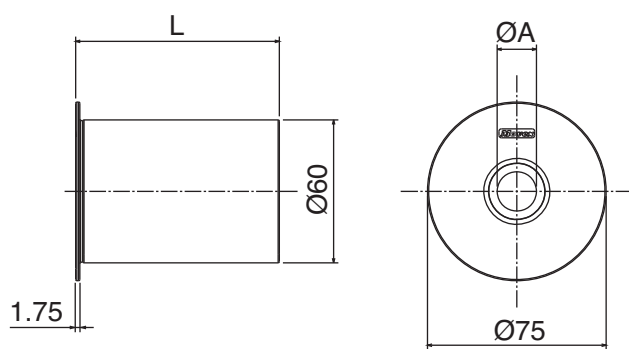
Rullini di ritorno flangiati D=50 mm / Return roller with flange D=50 mm / Rückführrolle mit Seitenscheibe D=50 mm



Part	Article-Nr.	L	ØA
224	22401	85,5	16
224	22402	85,5	18
224	22403	85,5	20
224	22451	43	16
224	22452	43	18
224	22453	43	20



Rullini di ritorno flangiati D=60 mm / Return roller with flange D=60 mm / Rückführrolle mit Seitenscheibe D=60 mm



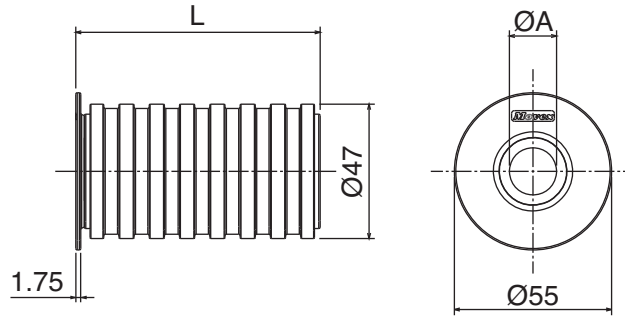
Part	Article-Nr.	L	ØA
226	22601	85,5	16
226	22602	85,5	18
226	22603	85,5	20
226	22651	43	16
226	22652	43	18
226	22653	43	20

Materiale:	Material:	Materialien:
Rullino e flangia: PE	Roller and flange: PE	Rolle und Seitenscheibe: PE
Gomma: TPR	Rubber: TPR	Gummi: TPR

Tenuta stagna  
Watertight  
Wasserdicht

Rullini di ritorno flangiati gommati D=47 mm / Return roller with flange and rubber D=47 mm / Rückführrolle gummiert mit Seitenscheibe D=47 mm

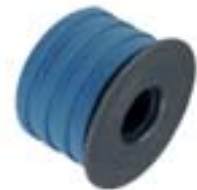
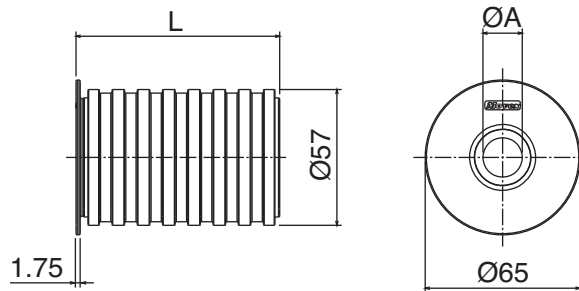
Part	Article-Nr.	L	ØA
223	22301	85,5	16
223	22302	85,5	18
223	22303	85,5	20
223	22351	43	16
223	22352	43	18
223	22353	43	20



Range extension

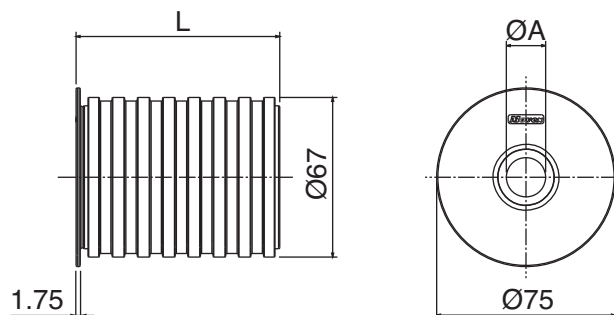
Rullini di ritorno flangiati gommati D=57 mm / Return roller with flange and rubber D=57 mm / Rückführrolle gummiert mit Seitenscheibe D=57 mm

Part	Article-Nr.	L	ØA
225	22501	85,5	16
225	22502	85,5	18
225	22503	85,5	20
225	22551	43	16
225	22552	43	18
225	22553	43	20



Rullini di ritorno flangiati gommati D=67 mm / Return roller with flange and rubber D=67 mm / Rückführrolle gummiert mit Seitenscheibe D=67 mm

Part	Article-Nr.	L	ØA
227	22701	85,5	16
227	22702	85,5	18
227	22703	85,5	20
227	22751	43	16
227	22752	43	18
227	22753	43	20

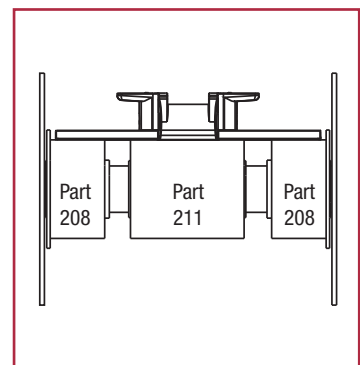
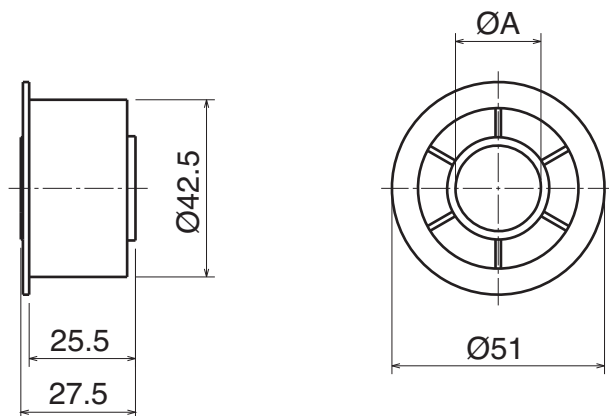


Materiale:	Material:	Materialien:
Polietilene (PE)	Polyethylene (PE)	Polyäthylen (PE)



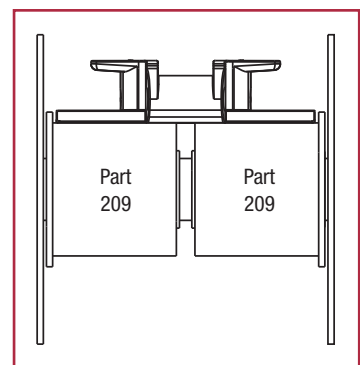
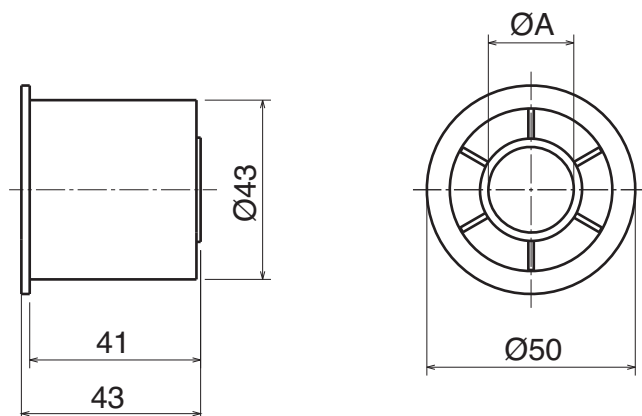
Rullini di ritorno flangiati D=42.5 mm / Return roller with flange D=42.5 mm / Rückführrolle mit Seitenscheibe D=42.5 mm

Part	Article-Nr.	ØA
208	20801	16
208	20802	18
208	20803	20



Rullini di ritorno flangiati D=42.5 mm / Return roller with flange D=42.5 mm / Rückführrolle mit Seitenscheibe D=42.5 mm

Part	Article-Nr.	ØA
209	20901	16
209	20902	18
209	20903	20

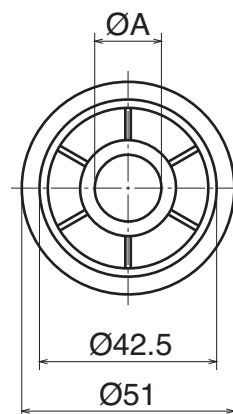
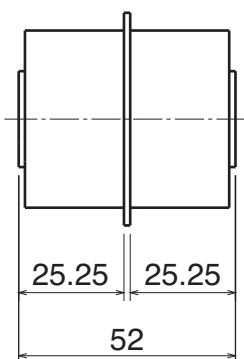
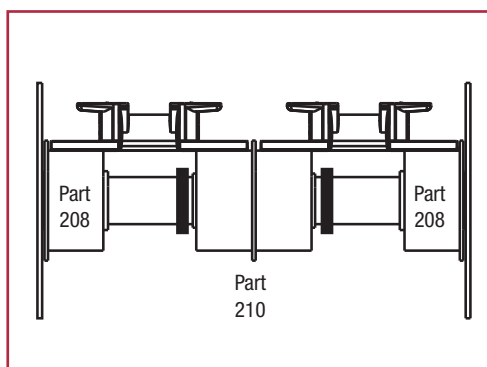


Materiale:	Material:	Materialien:
Polietilene (PE)	Polyethylene (PE)	Polyäthylen (PE)

Rullini doppio di ritorno / Double return roller / Doppel- Rücklaufrolle



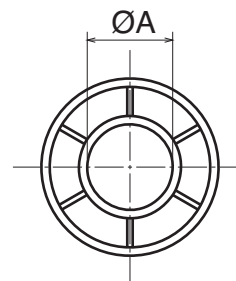
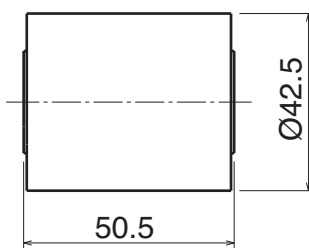
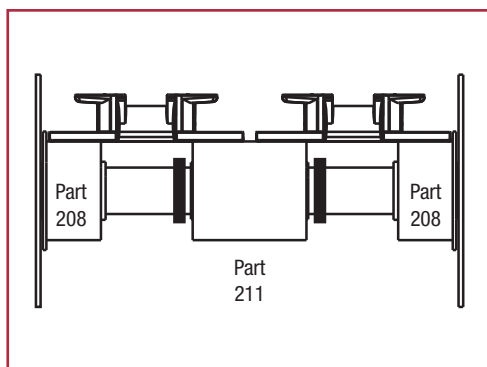
Part	Article-Nr.	ØA
210	21001	16
210	21002	18
210	21003	20



Rullini di ritorno D=43 mm / Return roller D=43 mm / Rückführrolle D=43 mm



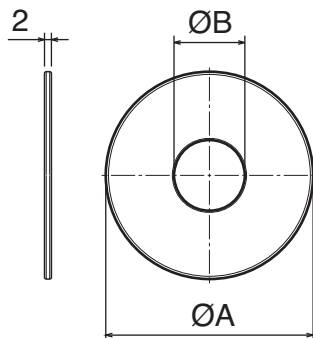
Part	Article-Nr.	ØA
211	21101	16
211	21102	18
211	21103	20



Materiale:	Material:	Materialien:
Polietilene (PE)	Polyethylene (PE)	Polyäthylen (PE)



### Flangia / Flange / Seitenscheibe

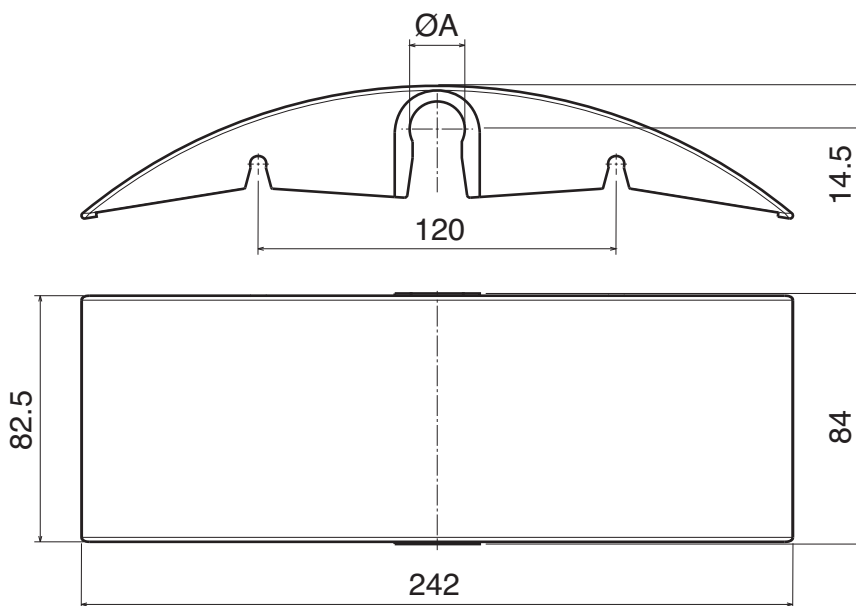


Part	Article-Nr.	ØA	ØB
207	20701	60	16
207	20702	60	18
207	20703	60	20
207	20704	70	16
207	20705	70	18
207	20706	70	20
207	20707	80	16
207	20708	80	18
207	20709	80	20



### Pattino oscillante innesto rapido / Snap-on sliding shoe / Rücklaufschuh, aufsteckbar

Part	Article-Nr.	ØA
213	21301	16
213	21302	18
213	21303	20



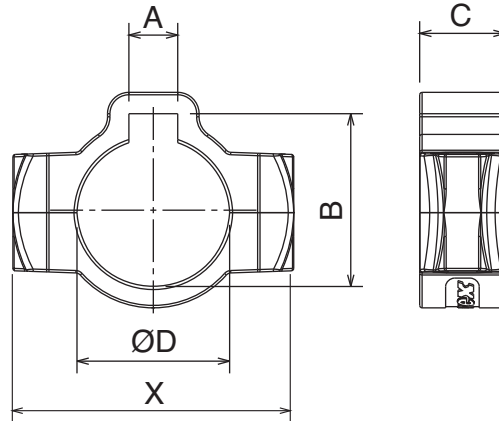


Materiale:	Material:	Materialien:
Pattino oscillante: PE	Sliding shoe: PE	Rücklaufschuh: PE
Collare di riferimento: PA	Split Collar: PA	Geteilter Stelling: PA
Viti e dadi:	Screws and nuts:	Schrauben und Mutter
Acciaio inox	Stainless steel	aus Edelstahl

### Collare di riferimento con chiavetta / Split collar with keyway / geteilter Stelling mit Nut

Part	Article-Nr.	A	B	C	ØD	X
221	22101	8	28.3	14	25	46
221	22102	8	33.3	16	30	51
221	22103	10	38.3	16	35	57
221	22104	12	43.3	18	40	64

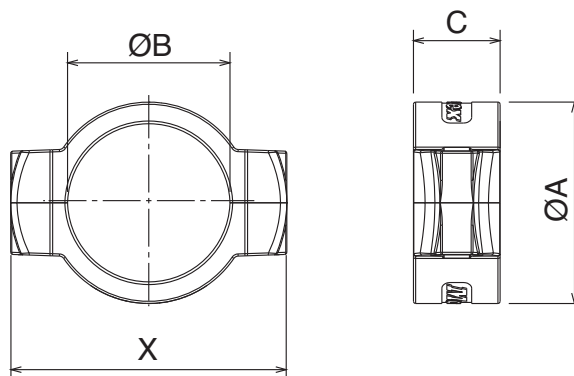
Part	Article-Nr.	A	B	C	ØD	X
221	22101Y	6,85	28,3	14	1"	46
221	22102Y	6,85	34,7	16	1,25"	52
221	22104Y	10,025	42,4	18	1,5"	64



### Collare di riferimento / Split collar / geteilter Stelling

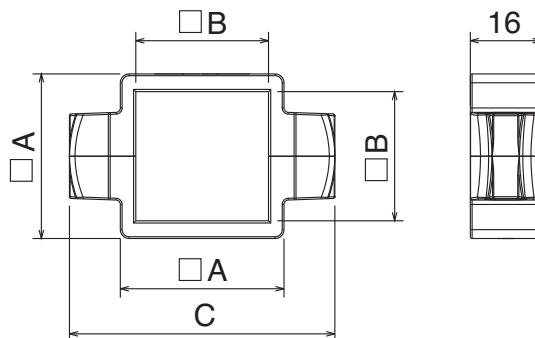
Part	Article-Nr.	ØA	ØB	C	X
215	21501	20	12	12	29.5
215	21502	22	14	12	31.5
215	21503	26	18	14	40
215	21504	28	20	14	40
215	21505	32	25	14	46
215	21506	38	30	16	51
215	21507	43	35	16	57
215	21508	48	40	18	64

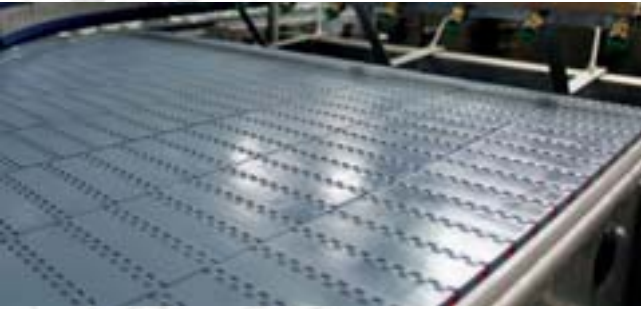
Part	Article-Nr.	ØA	ØB	C	X
215	21501Y	20	0,5"	12	29,5
215	21503Y	26	0,75"	14	40
215	21505Y	32	1"	14	46
215	21506Y	38	1,25"	16	52
215	21508Y	48	1,5"	18	64



### Collare di riferimento / Split collar / geteilter Stelling

Part	Article-Nr.	A	□B	C
217	21701	33	25	55
217	21702	37	30	60
217	21703	47	40	70
217	21704	59	50	81
217	21705	69	60	92

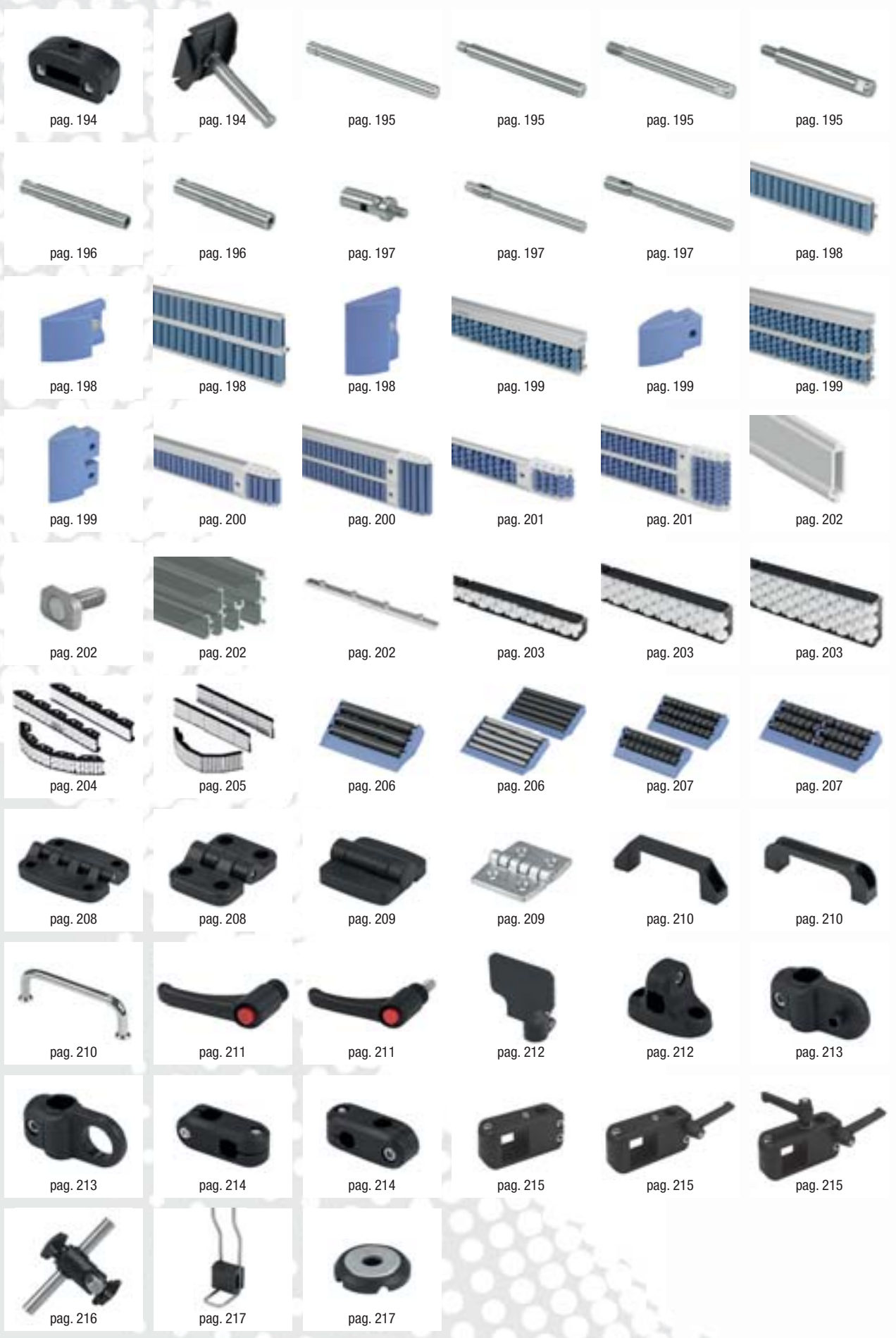




# conveyor components

 pag. 179	 pag. 179	 pag. 180	 pag. 180	 pag. 181	 pag. 181
 pag. 182	 pag. 182	 pag. 183	 pag. 183	 pag. 184	 pag. 184
 pag. 185	 pag. 185	 pag. 185	 pag. 186	 pag. 186	 pag. 187
 pag. 187	 pag. 187	 pag. 188	 pag. 188	 pag. 189	 pag. 189
 pag. 189	 pag. 190	 pag. 190	 pag. 190	 pag. 190	
 pag. 191	 pag. 191	 pag. 191	 pag. 191		
 pag. 192	 pag. 192	 pag. 193			
 pag. 193	 pag. 194				

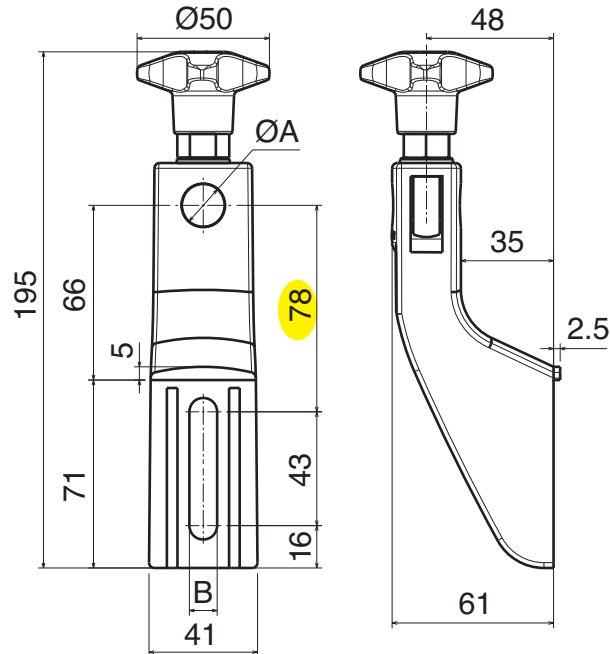




Materiale:	Material:	Materialien:
Supporto: PA	Support: PA	Halter: PA
Volantino: PA + ottone nichelato	Knob: PA + nickel plated brass	Sterngriff: PA + Messing vernickelt
Tirante: Acciaio inox	Eyebolt: Stainless steel	Augenschraube: Edelstahl

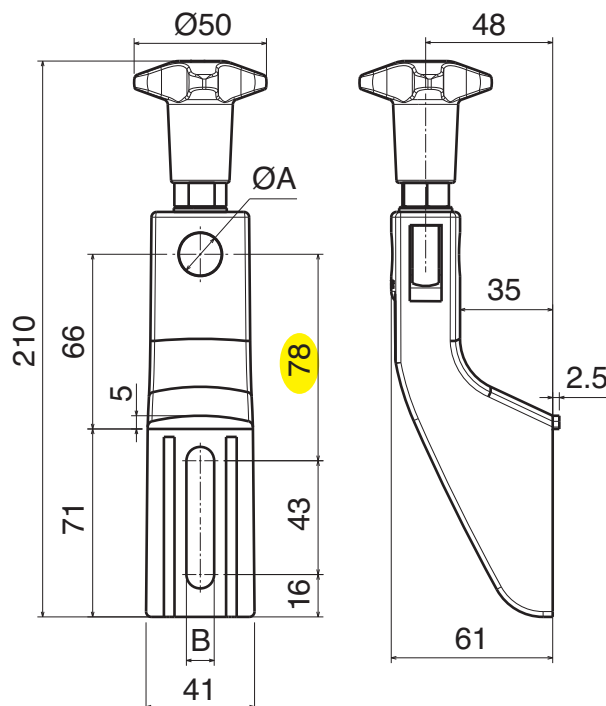
Supporto laterale -piccolo- / Side bracket -small- / Geländerhalter -klein-

Part	Article-Nr.	ØA	B
301	30101	12	9
301	30105	14	9
301	30102	16	9
301	30103	12	10,5
301	30106	14	10,5
301	30104	16	10,5



Supporto laterale -piccolo-, volantino alto / Side bracket -small- high knob / Geländerhalter -klein- hoher Sterngriff

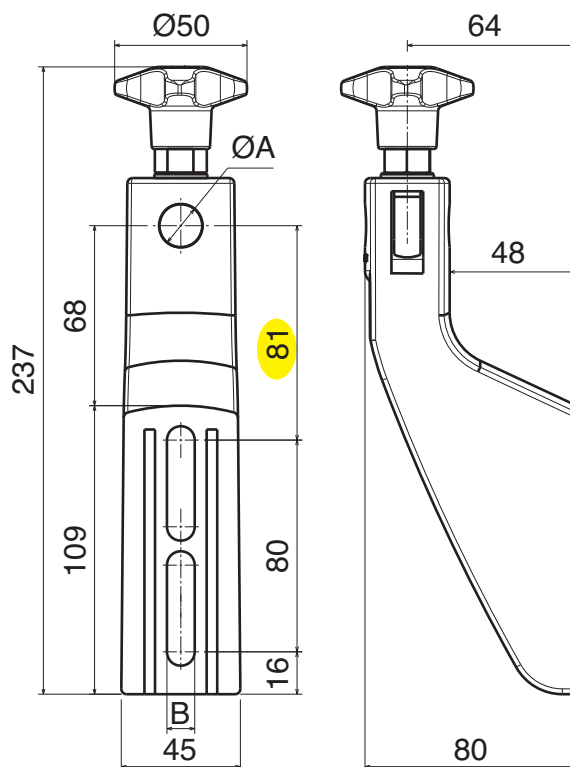
Part	Article-Nr.	ØA	B
302	30201	12	9
302	30205	14	9
302	30202	16	9
302	30203	12	10,5
302	30206	14	10,5
302	30204	16	10,5



Materiale:	Material:	Materialien:
Supporto: PA	Support: PA	Halter: PA
Volantino: PA + ottone nichelato	Knob: PA + nickel plated brass	Sterngriff: PA + Messing vernickelt
Tirante: Acciaio inox	Eyebolt: Stainless steel	Augenschraube: Edelstahl



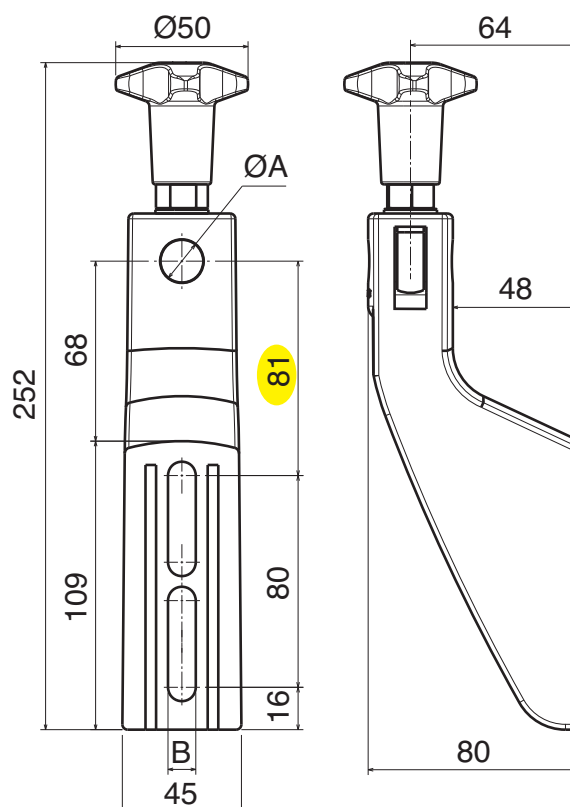
### Supporto laterale -medio- / Side bracket -medium- / Geländerhalter -medium-



Part	Article-Nr.	ØA	B
305	30501	12	9
305	30505	14	9
305	30502	16	9
305	30503	12	10,5
305	30506	14	10,5
305	30504	16	10,5



### Supporto laterale -medio-, volantino alto / Side bracket -medium-, high knob / Geländerhalter -medium-, hoher Sterngriff

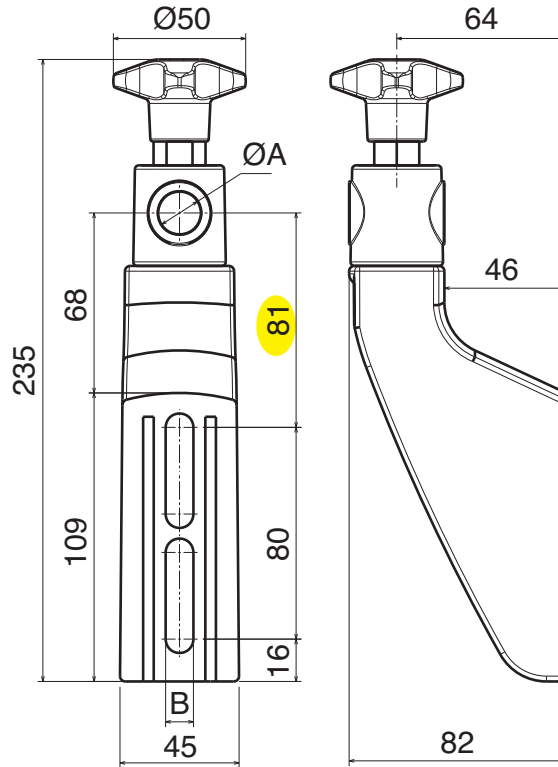


Part	Article-Nr.	ØA	B
306	30601	12	9
306	30605	14	9
306	30602	16	9
306	30603	12	10,5
306	30606	14	10,5
306	30604	16	10,5

Materiale:	Material:	Materialien:
Supporto: PA	Support: PA	Halter: PA
Volantino: PA + ottone nichelato	Knob: PA + nickel plated brass	Sterngriff: PA + Messing vernickelt
Tirante: Acciaio inox	Eyebolt: Stainless steel	Augenschraube: Edelstahl
Testina: PA o Acciaio inox	Heads: PA or stainless steel	Schwenkopf: PA oder Edelstahl
Vite, rondella e dado: Acciaio inox	Screw, washers and nut: Stainless steel	Schraube, Unterlegs und Mutter: Edelstahl

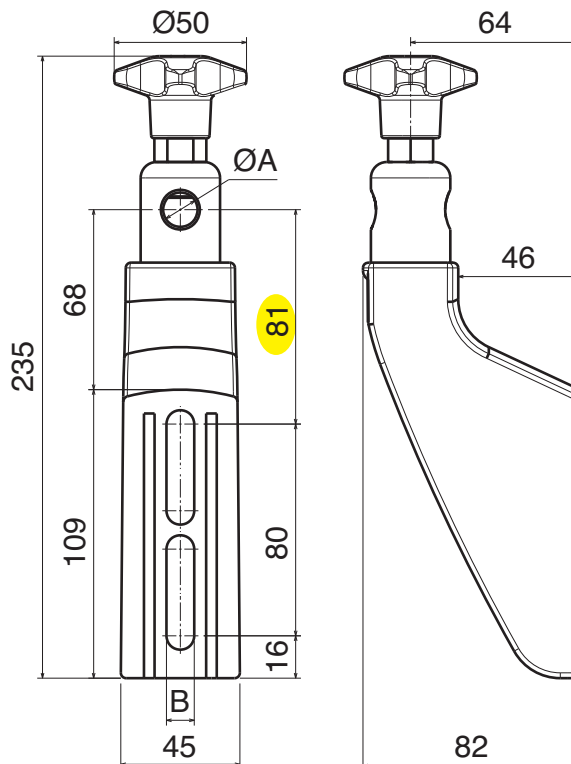
Supporto laterale -medio-, orientabile / Side bracket -medium-, adjustable / Geländerhalter -medium-, einstellbar

Part	Article-Nr.	ØA	B
307	30701	12	9
307	30705	14	9
307	30702	16	9
307	30703	12	10,5
307	30706	14	10,5
307	30704	16	10,5
307	30709	bracket	9
307	30710	bracket	10,5



Supporto laterale -medio-, orientabile INOX / Side bracket -medium-, adjustable SS / Geländerhalter -medium-, einstellbar Edelstahl

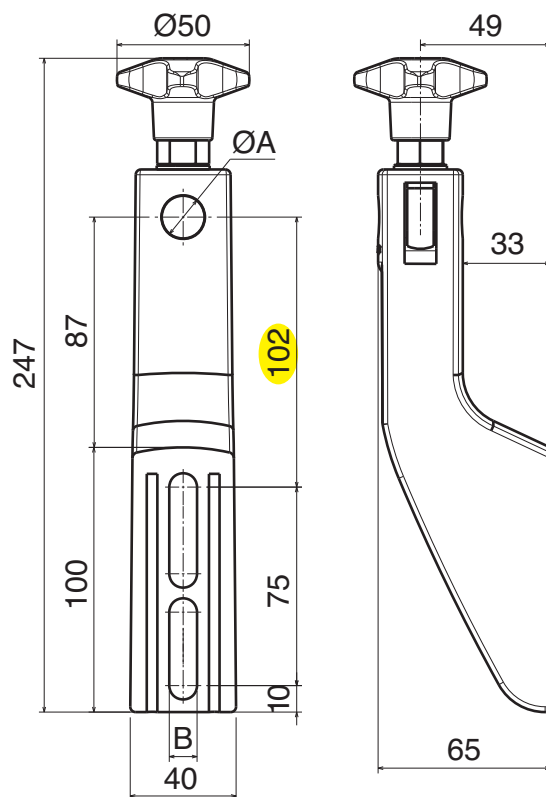
Part	Article-Nr.	ØA	B
308	30801	12	9
308	30805	14	9
308	30802	16	9
308	30803	12	10,5
308	30806	14	10,5
308	30804	16	10,5



Materiale:	Material:	Materialien:
Supporto: PA	Support: PA	Halter: PA
Volantino: PA + ottone nichelato	Knob: PA + nickel plated brass	Sterngriff: PA + Messing vernickelt
Tirante: Acciaio inox	Eyebolt: Stainless steel	Augenschraube: Edelstahl



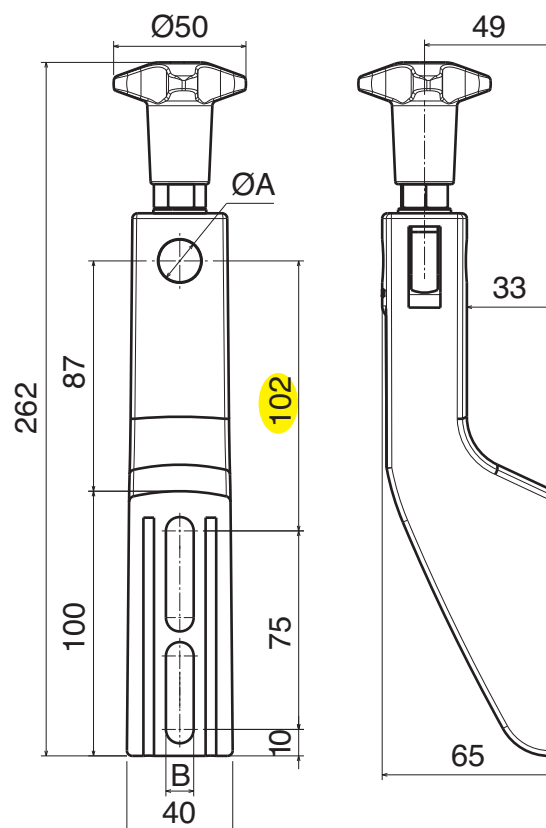
### Supporto laterale -grande- / Side bracket -large- / Geländerhalter -groß-



Part	Article-Nr.	ØA	B
309	30901	12	9
309	30905	14	9
309	30902	16	9
309	30903	12	10,5
309	30906	14	10,5
309	30904	16	10,5



### Supporto laterale -grande-, volantino alto / Side bracket -large-, high knob / Geländerhalter -groß-, hoher Sterngriff



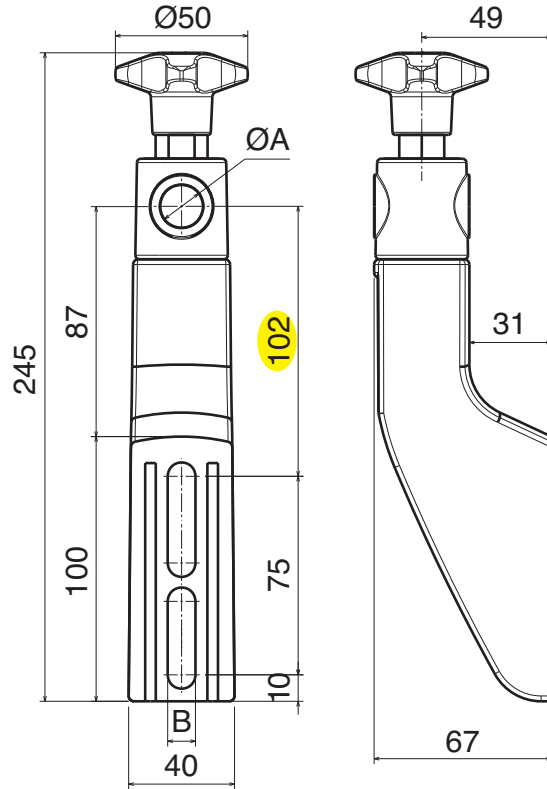
Part	Article-Nr.	ØA	B
310	31001	12	9
310	31005	14	9
310	31002	16	9
310	31003	12	10,5
310	31006	14	10,5
310	31004	16	10,5



Materiale:	Material:	Materialien:
Supporto: PA	Support: PA	Halter: PA
Volantino: PA + ottone nichelato	Knob: PA + nickel plated brass	Sterngriff: PA + Messing vernickelt
Tirante: Acciaio inox	Eyebolt: Stainless steel	Augenschraube: Edelstahl
Testina: PA o Acciaio inox	Heads: PA or stainless steel	Schwenkopf: PA oder Edelstahl
Vite, rondella e dado: Acciaio inox	Screw, washers and nut: Stainless steel	Schraube, Unterlegs und Mutter: Edelstahl

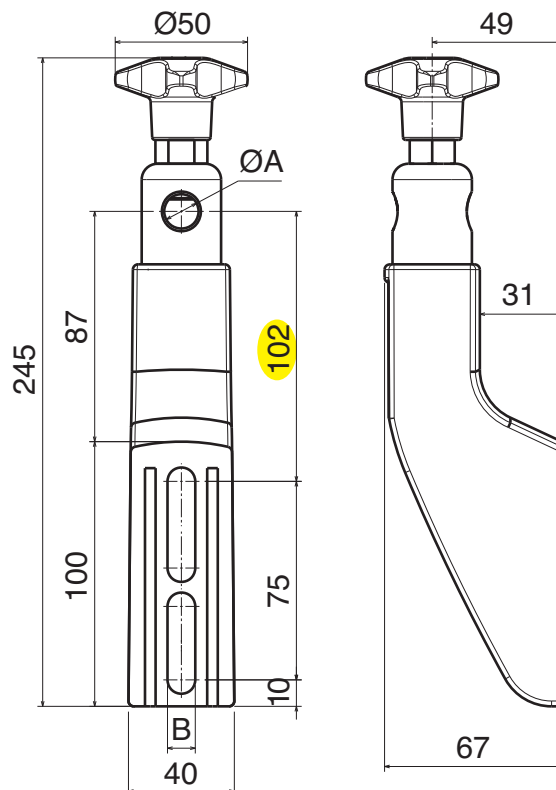
Supporto laterale -grande-, orientabile / Side bracket -large-, adjustable / Geländerhalter -groß-, einstellbar

Part	Article-Nr.	ØA	B
311	31101	12	9
311	31105	14	9
311	31102	16	9
311	31103	12	10,5
311	31106	14	10,5
311	31104	16	10,5
311	31109	bracket	9
311	31110	bracket	10,5



Supporto laterale -grande-, orientabile INOX / Side bracket -large-, adjustable SS / Geländerhalter -groß-, einstellbar Edelstahl

Part	Article-Nr.	ØA	B
312	31201	12	9
312	31205	14	9
312	31202	16	9
312	31203	12	10,5
312	31206	14	10,5
312	31204	16	10,5



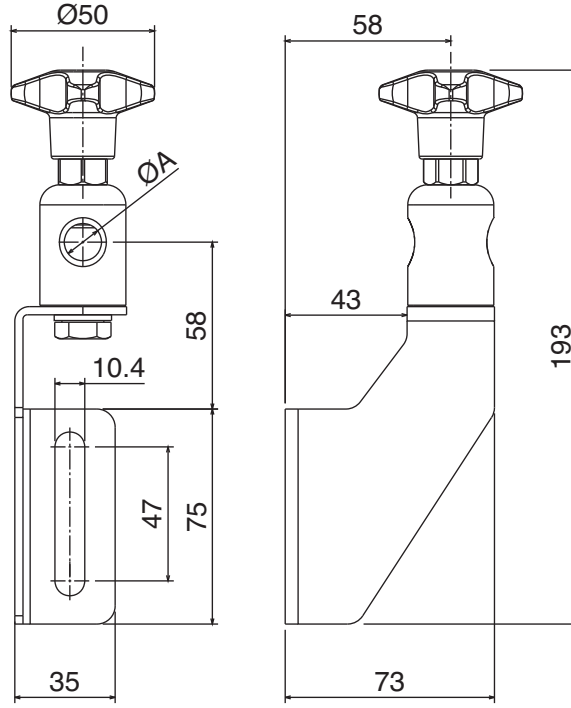
Materiale:	Material:	Materialien:
Supporto: PA	Support: PA	Halter: PA
Volantino: PA + ottone nichelato	Knob: PA + nickel plated brass	Sterngriff: PA + Messing vernickelt
Tirante: Acciaio inox	Eyebolt: Stainless steel	Augenschraube: Edelstahl



Stainless steel  
AISI 304

**New**

Supporto laterale inox -medio- orientabile / SS bracket -medium-, adjustable / Edelstahl Geländerhalter -medium-, einstellbar



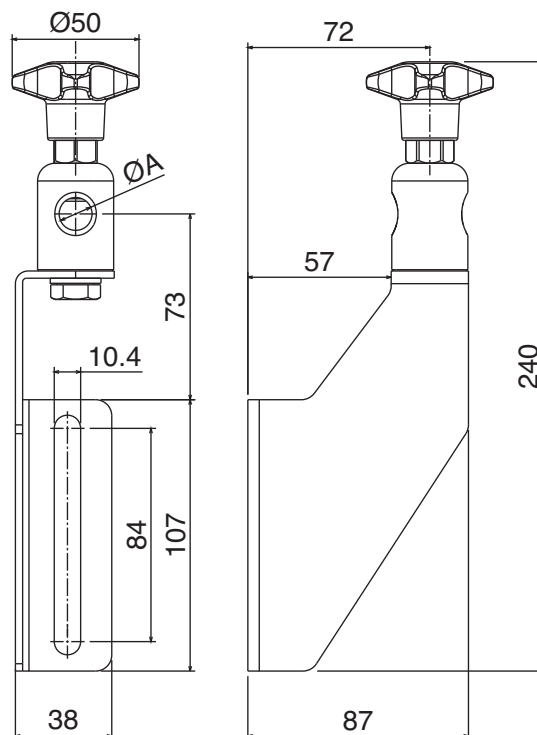
Part	Article-Nr.	ØA
398	39860	12
398	39862	14
398	39861	16



Stainless steel  
AISI 304

**New**

Supporto laterale inox -grande- orientabile / SS bracket -large-, adjustable / Edelstahl Geländerhalter -groß-, einstellbar

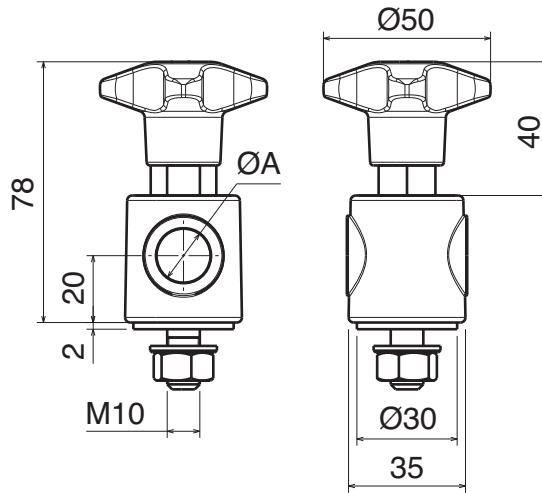
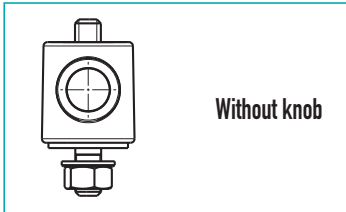


Part	Article-Nr.	ØA
398	39870	12
398	39872	14
398	39871	16

Materiale:	Material:	Materialien:
Volantino: PA + ottone nichelato	Knob: PA + nickel plated brass	Sterngriff: PA + Messing vernickelt
Tirante: Acciaio inox	Eyebolt: Stainless steel	Augenschraube: Edelstahl
Testina: PA o Acciaio inox	Heads: PA or stainless steel	Schwenkkopf: PA oder Edelstahl
Vite, rondella e dado: Acciaio inox	Screw, washers and nut: Stainless steel	Schraube, Unterlegs und Mutter: Edelstahl

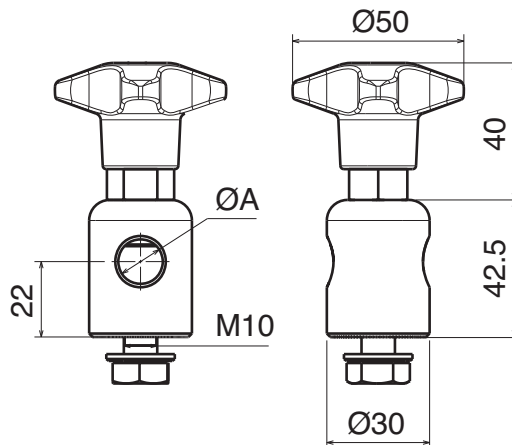
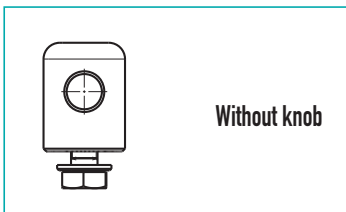
Testina orientabile / Adjustable head / Schwenkkopf

Part	Article-Nr.	ØA
313	31301	12
313	31303	14
313	31302	16
313	31311	12-without knob
313	31313	14-without knob
313	31312	16-without knob



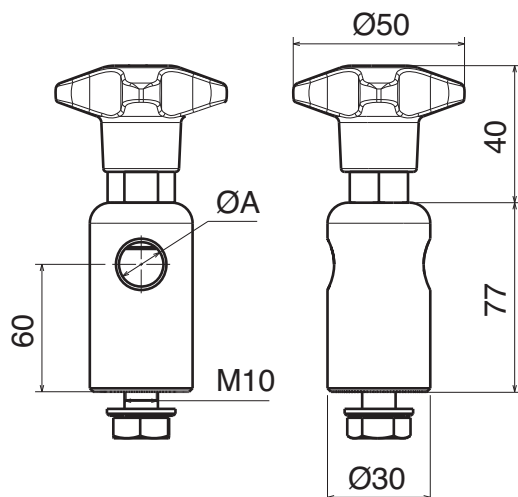
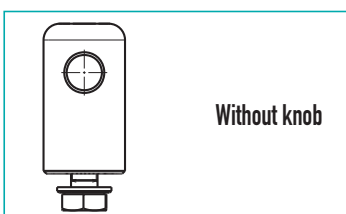
Testina orientabile, acciaio inox / Adjustable head, stainless steel / Schwenkkopf, Edelstahl

Part	Article-Nr.	ØA
314	31401	12
314	31403	14
314	31402	16
314	31411	12-without knob
314	31413	14-without knob
314	31412	16-without knob



Testina orientabile alta, acciaio inox / Adjustable head, stainless steel / Schwenkkopf, Edelstahl

Part	Article-Nr.	ØA
314	31409	12
314	31414	14
314	31410	16
314	31419	12-without knob
314	31421	14-without knob
314	31420	16-without knob



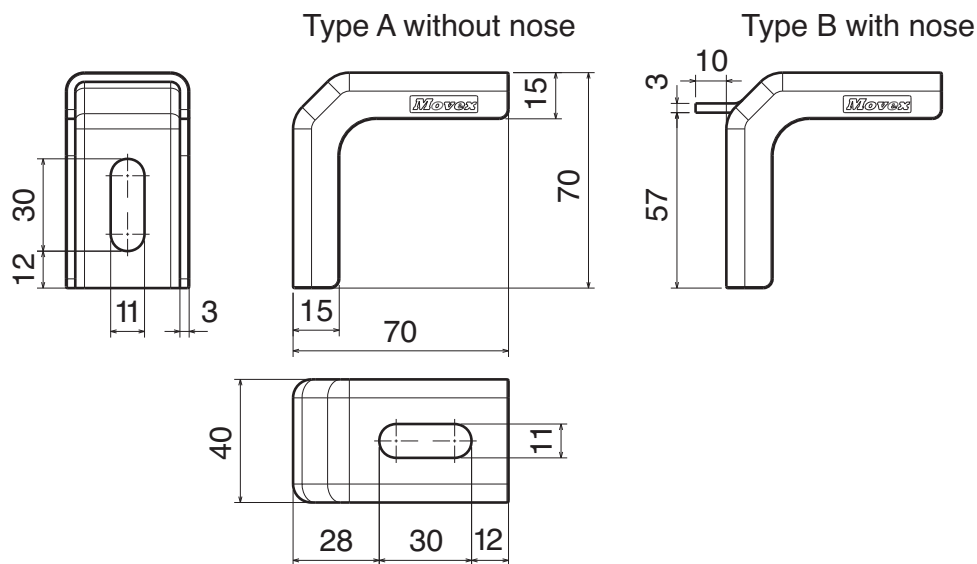
Materiale:	Material:	Materialien:
Acciaio inox	Stainless steel	Edelstahl



## Supporto laterale "L" / L-bracket / Winkel

Part	Article-Nr.	Type
315	31501	A
315	31502	B

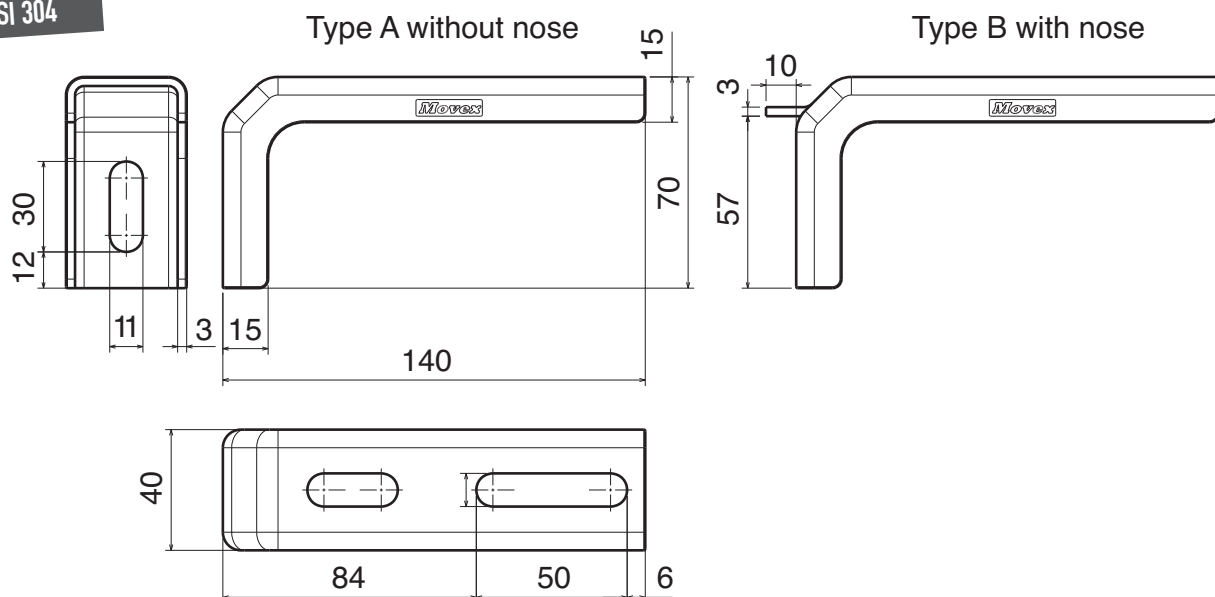
Stainless steel  
AISI 304



## Supporto laterale "L" / L-bracket / Winkel

Part	Article-Nr.	Type
316	31601	A
316	31602	B

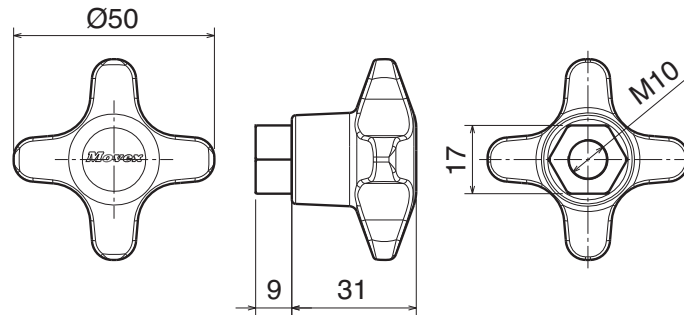
Stainless steel  
AISI 304



Materiale:	Material:	Materialien:
Poliammide + ottone nichelato	Polyamide + nickel plated brass	Polyamid + Messing vernickelt

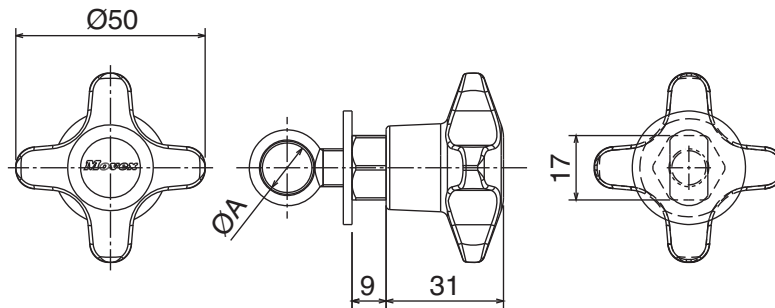
*Volantino / Star knob / Sterngriff*

Part	Article-Nr.
317	31701



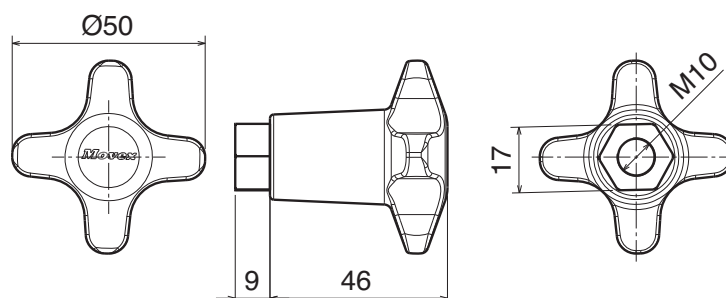
*Volantino con tirante / Star knob with eye-bolt / Sterngriff mit Augenschraube*

Part	Article-Nr.	ØA
317	31799	12
317	31797	14
317	31798	16



*Volantino / Star knob / Sterngriff*

Part	Article-Nr.
318	31801

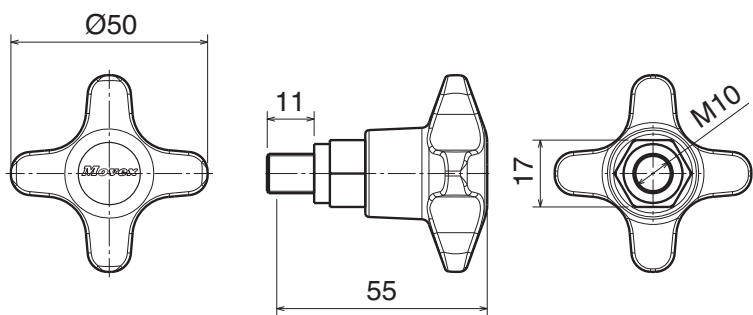


Materiale:	Material:	Materialien:
Poliamide + ottone nichelato	Polyamide + nickel plated brass	Polyamid + Messing vernickelt



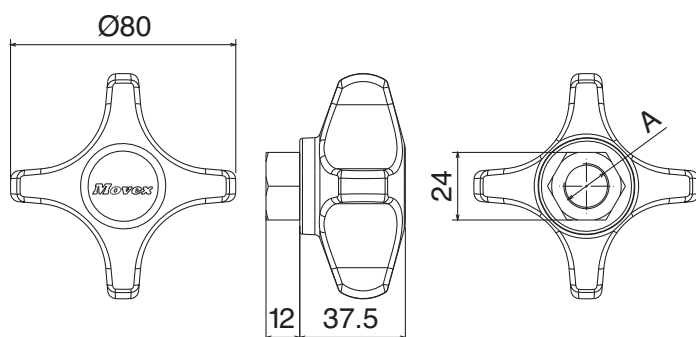
Volantino / Star knob / Sterngriff

Part	Article-Nr.
319	31901



Volantino Ø80 / Star knob Ø80 / Sterngriff Ø80

Part	Article-Nr.	A
320	32001	M12
320	32002	M16



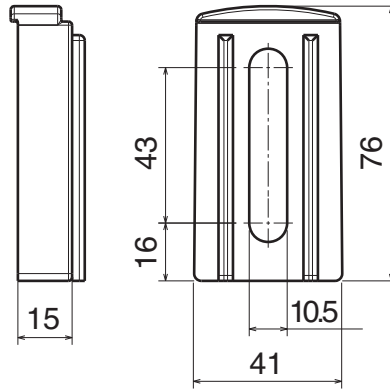
Materiale:	Material:	Materialien:
Poliammide	Polyamide	Polyamid

Distanziale per supporto -piccolo- / Spacer for bracket -small- / Distanzstück für Geländerhalter -klein-

Part Article-Nr.

321 32101

Use with bracket  
part. 301-302  
page 179

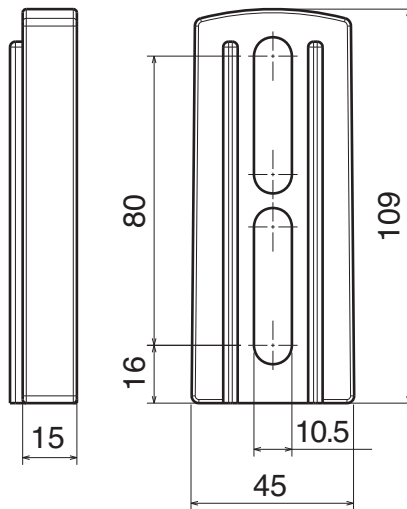


Distanziale per supporto -medio- / Spacer for bracket -medium- / Distanzstück für Geländerhalter -medium-

Part Article-Nr.

322 32201

Use with bracket  
part. 305-306  
307-308  
pages 180-181

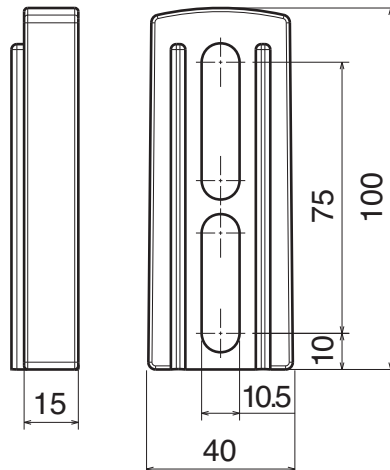


Distanziale per supporto -grande- / Spacer for bracket -large- / Distanzstück für Geländerhalter -groß-

Part Article-Nr.

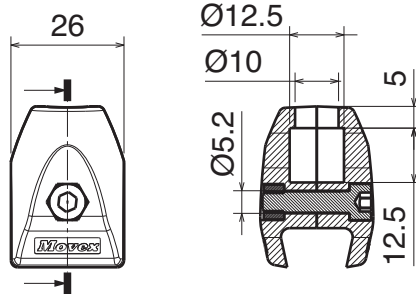
323 32301

Use with bracket  
part. 309-310  
311-312  
pages 182-183



Materiale:	Material:	Materialien:
Morsetti: PA	Clamp: PA	Klemme: PA
Vite, perno e rondella: Acciaio inox	Screw, pin and washer: Stainless steel	Schraube, Bolzen und Scheibe: Edelstahl
Dado: ottone nichelato	Nut: nickel plated brass	Mutter: Messing vernickelt

**Morsetto singolo per guida laterale conica / Single clamp for conical side guide / Einfachklemme für konische Seitenführung**

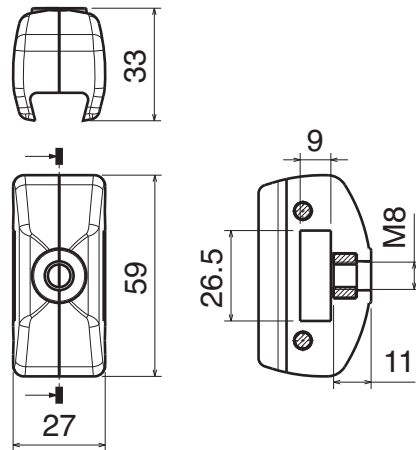


Part	Article-Nr.
324	32401

Consult pag 195  
for pin design



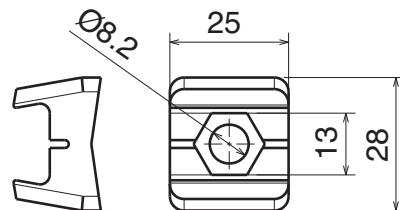
**Morsetto singolo per guida laterale conica / Single clamp for conical side guide / Einfachklemme für konische Seitenführung**



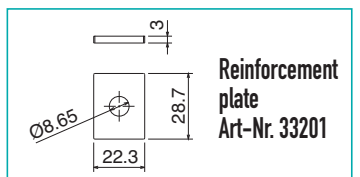
Part	Article-Nr.
325	32501



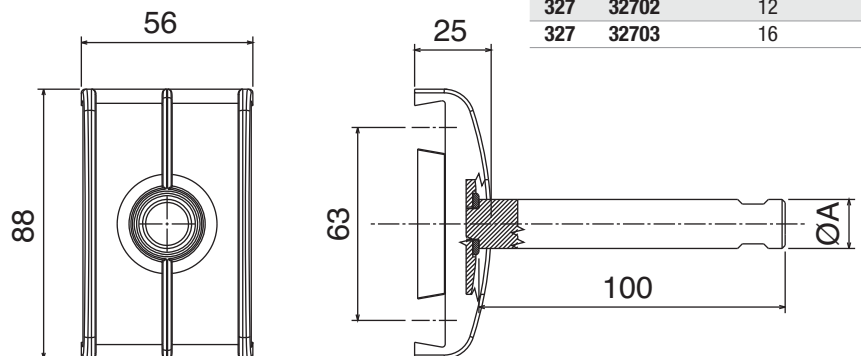
**Morsetto singolo per guida laterale conica / Single clamp for conical side guide / Einfachklemme für konische Seitenführung**



Part	Article-Nr.
326	32601



**Morsetto doppio per guida laterale conica / Double clamp for conical side guide / Doppelklemme für konische Seitenführung**



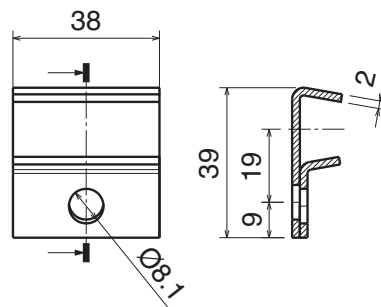
Part	Article-Nr.	ØA
327	32701	without pin
327	32702	12
327	32703	16



Materiale:	Material:	Materialien:
Acciaio inox	Stainless steel	Edelstahl

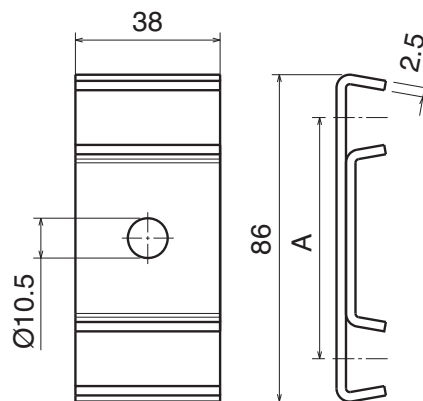
### Morsetto singolo per guida laterale conica / Single clamp for conical side guide / Einfachklemme für konische Seitenführung

Part	Article-Nr.	Material
328	32801	Aisi 304
328	32811	Aisi 316



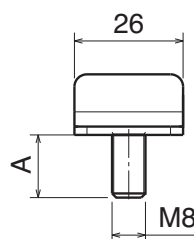
### Morsetto doppio per guida laterale conica / Double clamp for conical side guide / Doppelklemme für konische Seitenführung

Part	Article-Nr.	A
329	32901	63.5
329	32902	82.5
329	32903	95.2



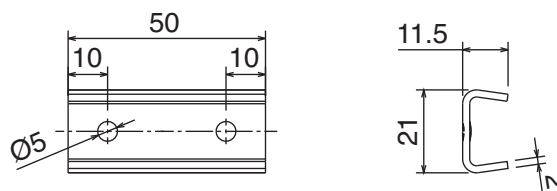
### Morsetto singolo per guida laterale conica / Single clamp for conical side guide / Einfachklemme für konische Seitenführung

Part	Article-Nr.	A
330	33001	15
330	33002	25
330	33003	20
330	33004	30



### Elemento di giunzione / Connecting element / Verbinder

Part	Article-Nr.
390	39001

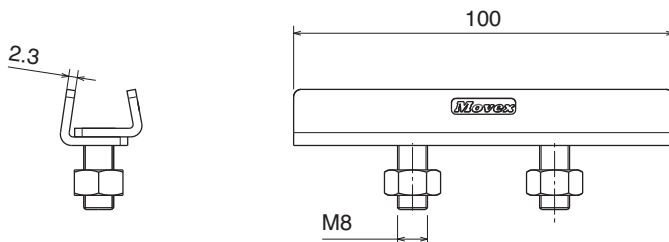


Materiale:	Material:	Materialien:
Acciaio inox	Stainless steel	Edelstahl



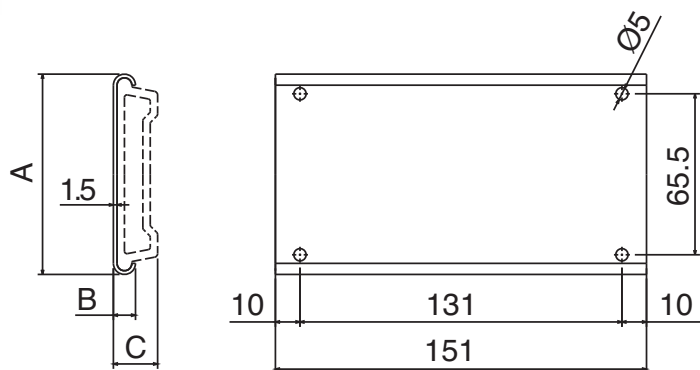
Elemento di connessione / Connecting clamp / Verbindungsklemme

Part	Article-Nr.	A
392	39201	75
392	39202	100
392	39203	150



Morsetto di giunzione / Joint clamp / Verbindungsplatte

Part	Article-Nr.	A	B	C	
394	39401	81,5	9	18	used with part 135
394	39402	90	8	17	used with part 136



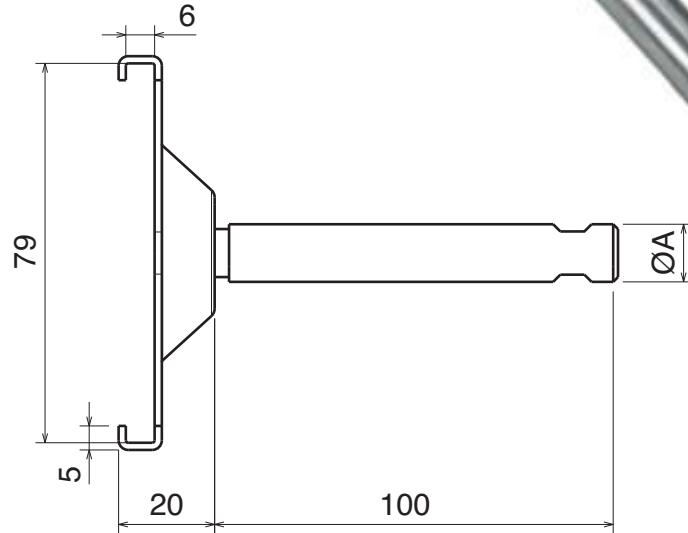
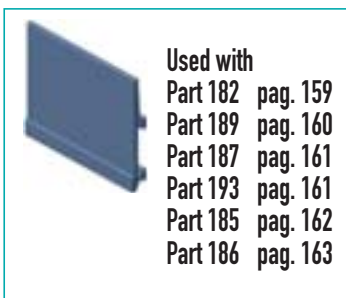
Used with  
Part 135  
pag. 156

Used with  
Part 136  
pag. 156

Materiale:	Material:	Materialien:
Morsetti: acciaio inox	Clamp: SS	Klemme: Edelstahl
Viti e perno: Acciaio inox	Screws and pin: Stainless steel	Schraube und Bolzen: Edelstahl
Dadi: ottone nichelato	Nuts: nickel plated brass	Mutter: Messing vernickelt

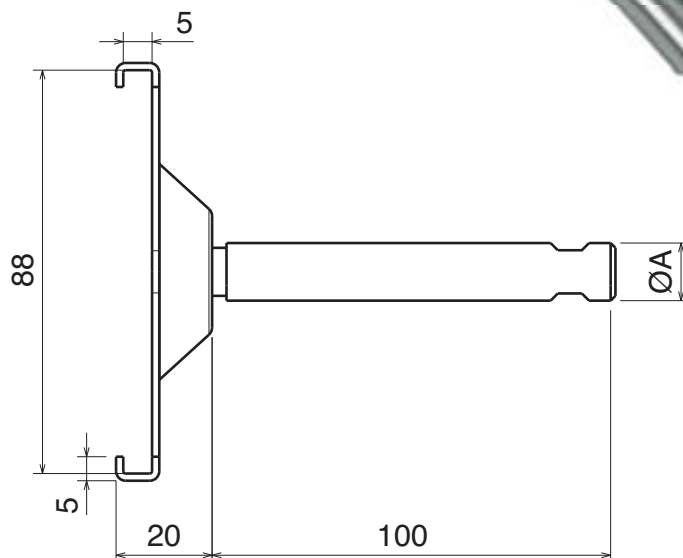
Morsetto acciaio inox / Clamp, stainless steel / Klemme, Edelstahl

Part	Article-Nr.	ØA
331	33101	without pin
331	33102	12
331	33103	16



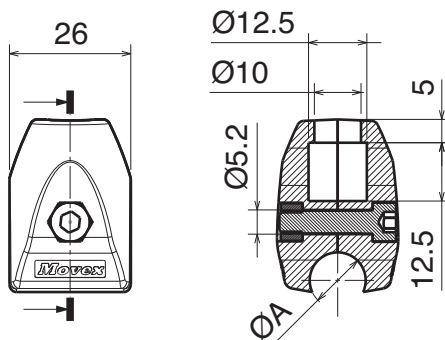
Morsetto acciaio inox / Clamp, stainless steel / Klemme, Edelstahl

Part	Article-Nr.	ØA
345	34501	without pin
345	34502	12
345	34503	16



Materiale:	Material:	Materialien:
Morsetti: PA	Clamp: PA	Klemme: PA
Vite, perno e rondella: Acciaio inox	Screw, pin and washer: Stainless steel	Schraube, Bolzen und Scheibe: Edelstahl
Dado: ottone nichelato	Nut: nickel plated brass	Mutter: Messing vernickelt

### Morsetto singolo per tondino / Single clamp for round bar / Einfachklemme für Rund Profil

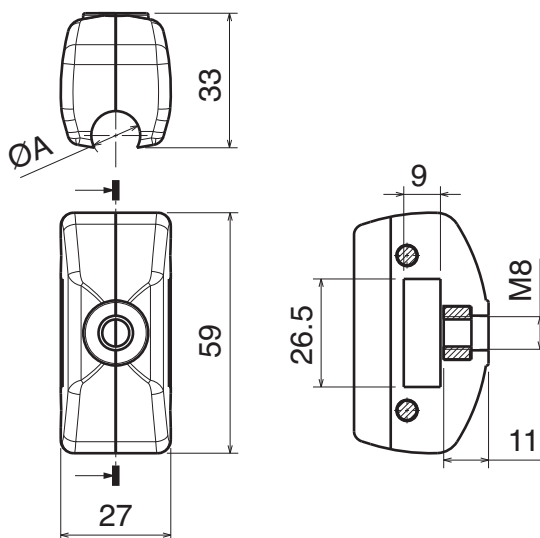


Part	Article-Nr.	ØA
337	33701	10
337	33702	12

Consult pag 195  
for pin design



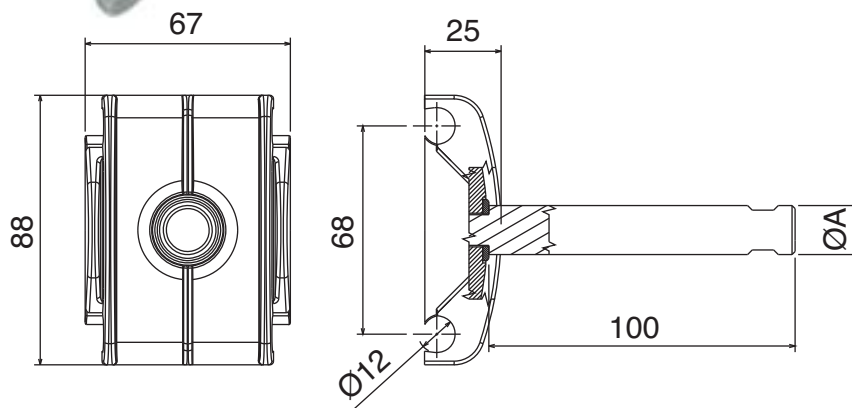
### Morsetto singolo per tondino / Single clamp for round bar / Einfachklemme für Rund Profil



Part	Article-Nr.	ØA
338	33801	10
338	33802	12



### Morsetto doppio per tondino / Double clamp for round bar / Doppelklemme für Rund Profil

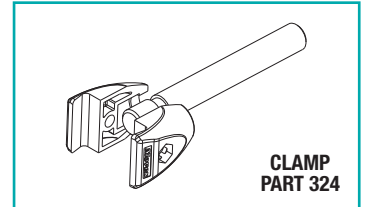
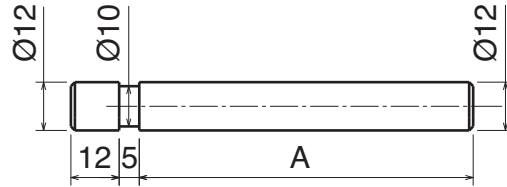


Part	Article-Nr.	ØA
339	33901	without pin
339	33902	12
339	33903	16

Materiale:	Material:	Materialien:
Acciaio inox	Stainless steel	Edelstahl

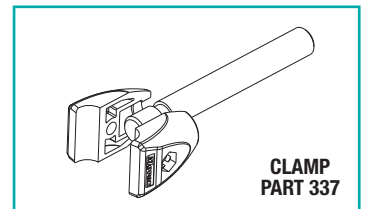
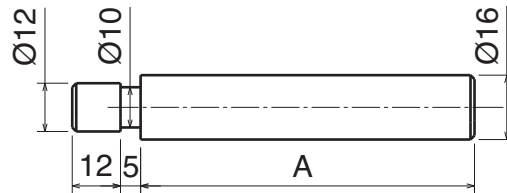
### Perno / Rod / Bolzen

Part	Article-Nr.	A
349	34901	80
349	34902	100
349	34903	150



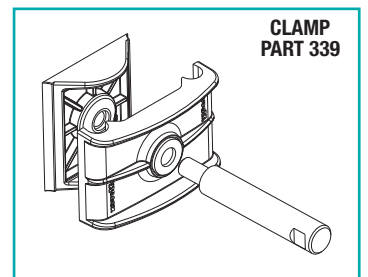
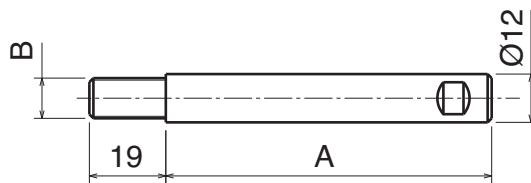
### Perno / Rod / Bolzen

Part	Article-Nr.	A
350	35001	80
350	35002	100
350	35003	150



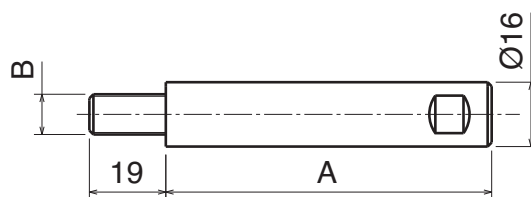
### Perno / Rod / Bolzen

Part	Article-Nr.	A	B
351	35101	80	M10
351	35102	100	M10
351	35103	150	M10
351	35151	80	M8
351	35152	100	M8
351	35153	150	M8



### Perno / Rod / Bolzen

Part	Article-Nr.	A	B
352	35201	80	M10
352	35202	100	M10
352	35203	150	M10
352	35251	80	M8
352	35252	100	M8
352	35253	150	M8

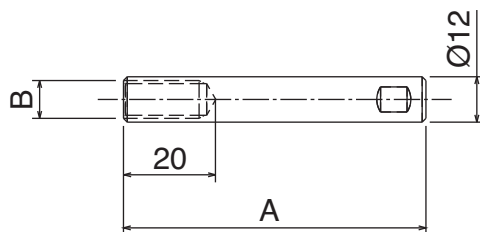


Materiale:	Material:	Materialien:
Acciaio inox	Stainless steel	Edelstahl



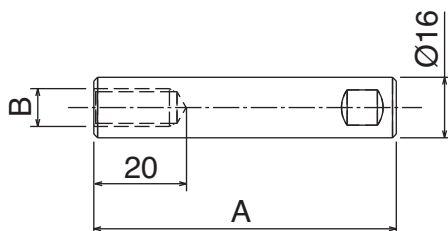
### Perno filettato femmina / Rod / Bolzen

Part	Article-Nr.	A	B
347	34701	80	M10
347	34702	100	M10
347	34703	150	M10
347	34751	80	M8
347	34752	100	M8
347	34753	150	M8



### Perno filettato femmina / Rod / Bolzen

Part	Article-Nr.	A	B
348	34801	80	M10
348	34802	100	M10
348	34803	150	M10
348	34851	80	M8
348	34852	100	M8
348	34853	150	M8

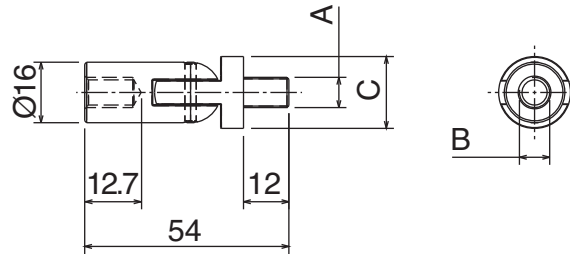


Materiale:	Material:	Materialien:
Acciaio inox	Stainless steel	Edelstahl

### Snodo / Joint rod adapter / Gelenk



Part	Article-Nr.	A	B	C
346	34601	M8	M8	19
346	34602	M8	M10	19
346	34603	M8	M10	19
346	34699	M8	M8	16

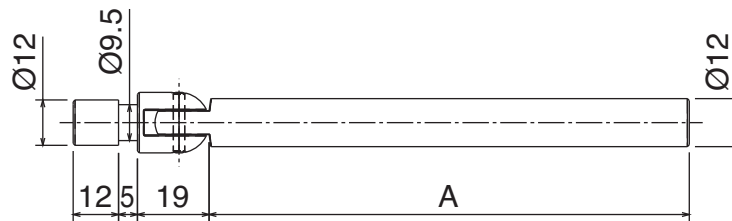


### Perno snodato / Jointed rods / Gelenkbolzen



Part	Article-Nr.	A
356	35601	80
356	35602	100
356	35603	150

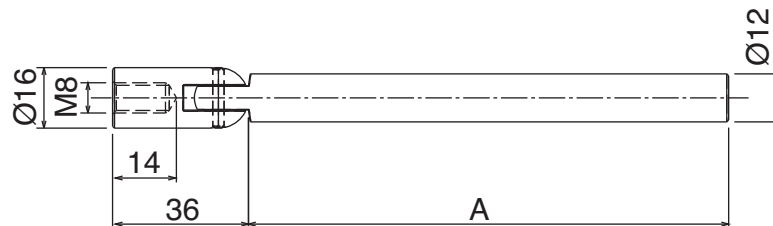
Use with clamps  
part 324-337



### Perno snodato / Jointed rods / Gelenkbolzen

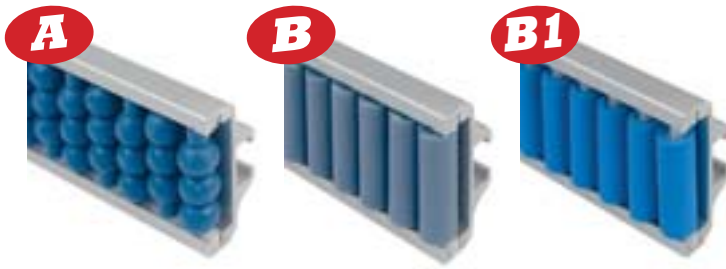


Part	Article-Nr.	A
357	35701	80
357	35702	100
357	35703	150



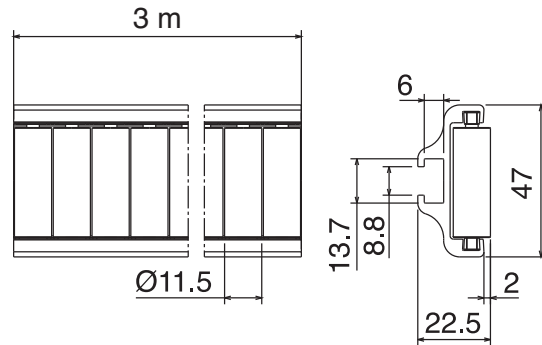
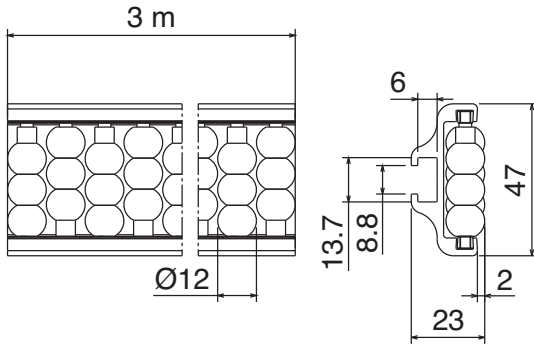
Materiale:	Material:	Materialien:
Guida: alluminio anodizzato	Guide: anodized aluminum	Führung: eloxiertem Aluminium
Rulli: resina acetica o gomma SEBS	Rollers: Acetal Resin or SEBS rubber	Röllchen: Azetal oder SEBS gummi
Vite: Acciaio inox	Screw: Stainless steel	Schrauben: Edelstahl

### Guide a rulli laterale / Roller guides / Röllchenführung



Part	Article-Nr.	Type
358	35802	A
358	35804	B
358	35806	B1

Max fixing load M8 screw: 15 N/m



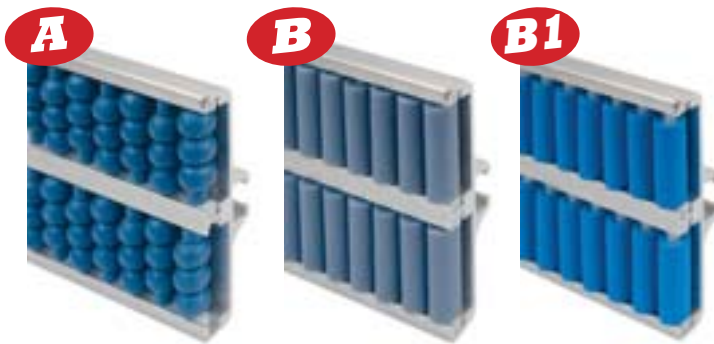
Soft roller  
SEBS rubber

### Puntale / Shoe / Einlaufschuh



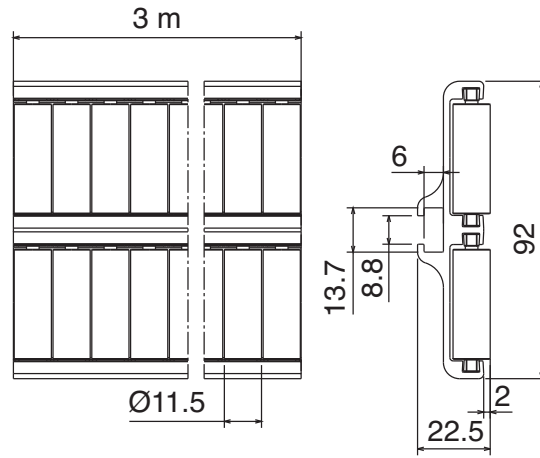
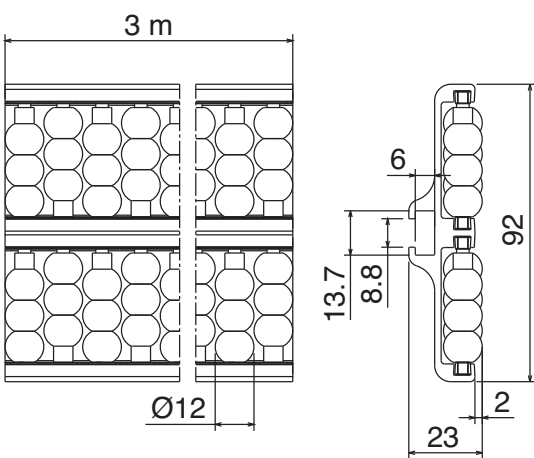
Part	Article-Nr.	Type
364	36401	fresato/machined/gefräst
364	36411	stampato/molded/gespritzt

### Guide a rulli laterale / Roller guides / Röllchenführung



Part	Article-Nr.	Type
359	35902	A
359	35904	B
359	35906	B1

Max fixing load M8 screw: 15 N/m



Soft roller  
SEBS rubber

### Puntale / Shoe / Einlaufschuh



Part	Article-Nr.	Type
365	36501	fresato/machined/gefräst
365	36511	stampato/molded/gespritzt



Fixing screw:  
M8 hex.head  
or **PART 362**

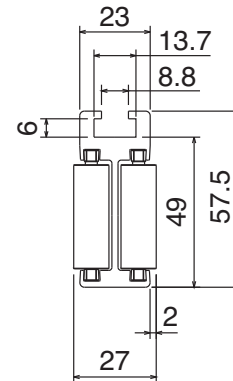
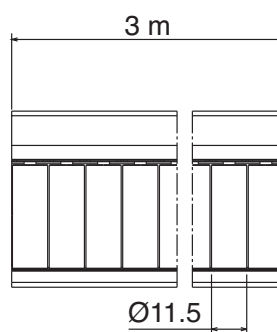
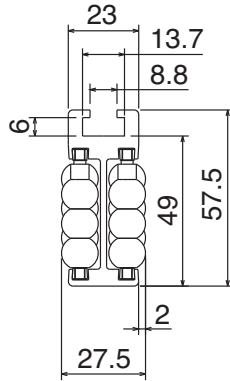
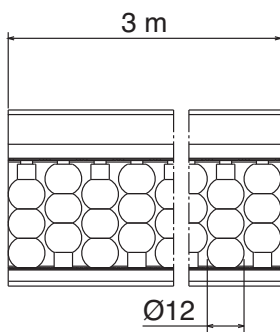


<b>Materiale:</b>	<b>Material:</b>	<b>Materialien:</b>
Guida: alluminio anodizzato	Guide: anodized aluminum	Führung: eloxiertem Aluminium
Rulli: resina acetatica o gomma SEBS	Rollers: Acetal Resin or SEBS rubber	Röllchen: Azetal oder SEBS gummi

### Guide a rulli intermedia / Roller guides / Röllchenführung

Part	Article-Nr.	Type
360	36002	A
360	36004	B
360	36006	B1

Max fixing load M8 screw: 15 N/m



Soft roller  
SEBS rubber

### Puntale / Shoe / Einlaufschuh

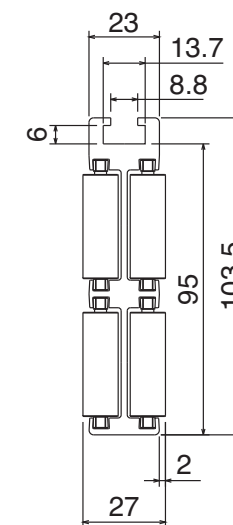
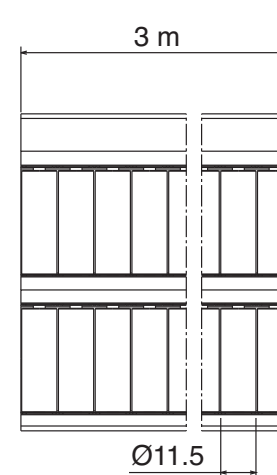
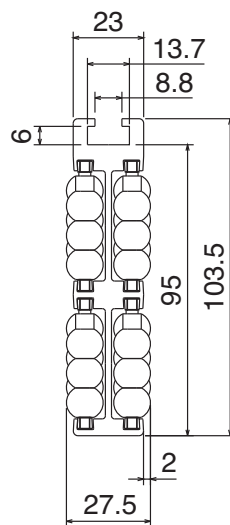
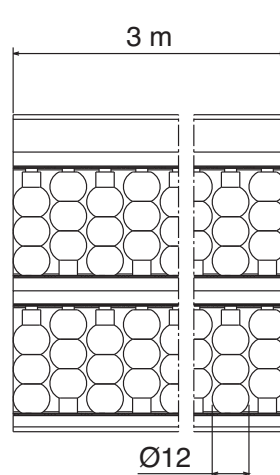
Part	Article-Nr.	Type
366	36601	fresato/machined/gefräst
366	36611	stampato/molded/gespritzt



### Guide a rulli intermedia / Roller guides / Röllchenführung

Part	Article-Nr.	Type
361	36102	A
361	36104	B
361	36106	B1

Max fixing load M8 screw: 15 N/m



Soft roller  
SEBS rubber

### Puntale / Shoe / Einlaufschuh

Part	Article-Nr.	Type
367	36701	fresato/machined/gefräst
367	36711	stampato/molded/gespritzt



Fixing screw:  
M8 hex.head  
or **PART 362**

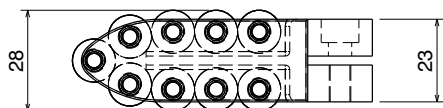
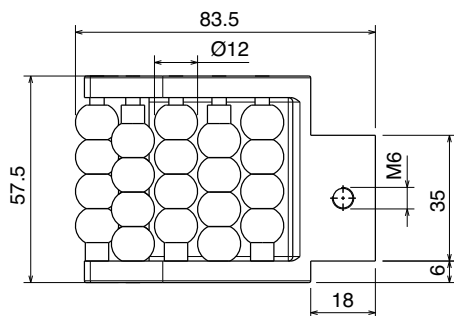
Materiale:	Material:	Materialien:
Puntale: PE HD	Shoe: PE HD	Corpus: PE HD
Perni: acciaio inox	Pins: SS	Bolzen: Edelstahl
Rulli: PE, acetalica o gomma SEBS	Rollers: PE, acetal resin or SEBS rubber	Röllchen: PE, Acetal oder SEBS gummi



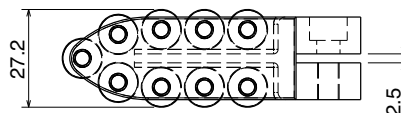
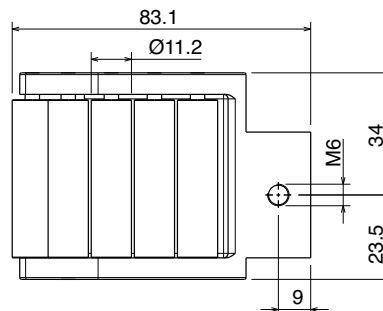
### Puntale centrale a rulli / Central roller shoe / Einlaufschuh mitting

**Patented**

Part	Article-Nr.	Type
366	36621	A
366	36622	B
366	36623	B1



Type A



Type B



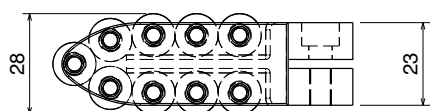
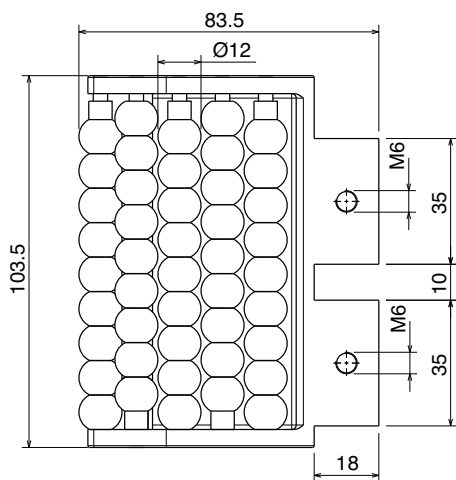
Type B1  
Soft roller  
SEBS rubber



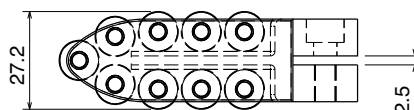
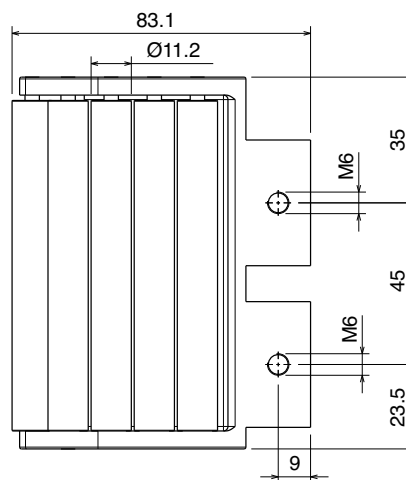
### Puntale centrale a rulli / Central roller shoe / Einlaufschuh mitting

**Patented**

Part	Article-Nr.	Type
367	36721	A
367	36722	B
367	36723	B1



Type A



Type B



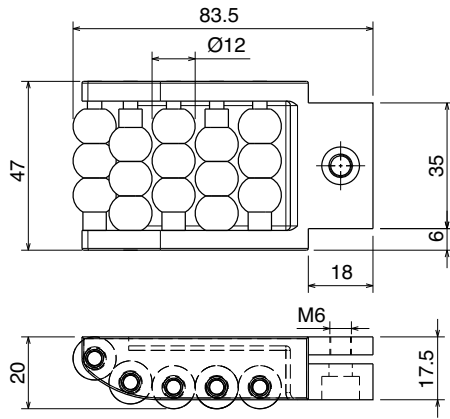
Type B1  
Soft roller  
SEBS rubber

Materiale:	Material:	Materialien:
Puntale: PE HD	Shoe: PE HD	Corpus: PE HD
Perni: acciaio inox	Pins: SS	Bolzen: Edelstahl
Rulli: PE, acetalica o gomma SEBS	Rollers: PE, acetal resin or SEBS rubber	Röllchen: PE, Acetal oder SEBS gummi

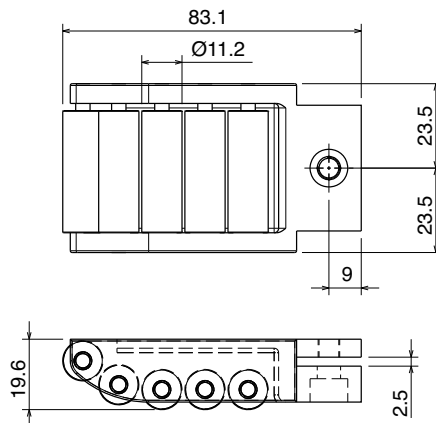
Puntale laterale a rulli / Side roller shoe / Einlaufschuh seitlich

Part	Article-Nr.	Type
364	36421	A
364	36422	B
364	36423	B1

Patented



Type A



Type B

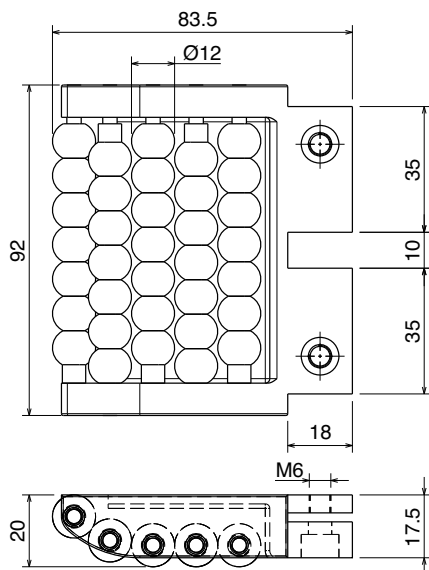


Type B1  
Soft roller  
SEBS rubber

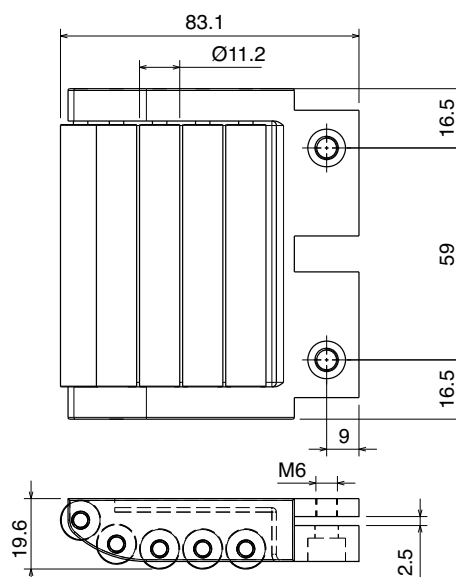
Puntale laterale a rulli / Side roller shoe / Einlaufschuh seitlich

Part	Article-Nr.	Type
365	36521	A
365	36522	B
365	36523	B1

Patented



Type A



Type B

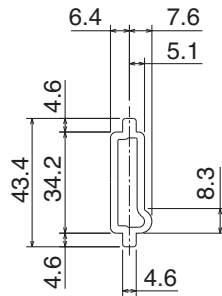


Type B1  
Soft roller  
SEBS rubber

Materiale:	Material:	Materialien:
Profilo: PE	Profile: PE	Profil: PE
Guida: Alluminio	Guides: Aluminum	Führungen: Aluminium
Elemento di giunzione: Acciaio inox	Connecting elements: stainless steel	Verbindungselement: Edelstahl



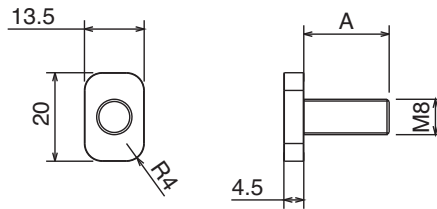
## Guida laterale in PE / PE side guides / Seitenführung in PE



Part	Article-Nr.	L
395	39501	3m



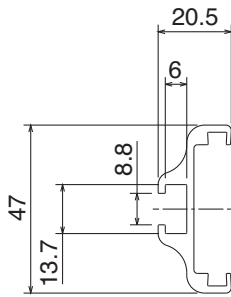
## Vite a "T" / T-bolt / T-Schraube



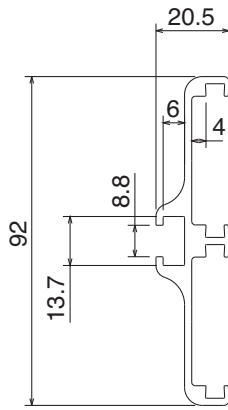
Part	Article-Nr.	A
362	36201	16
362	36202	19
362	36203	25



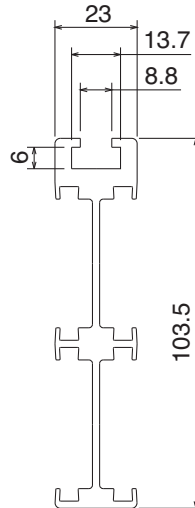
## Guide in alluminio / Aluminum guides / Aluminiumführung



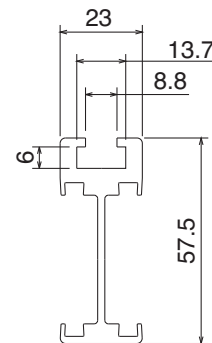
35800



35900



36100



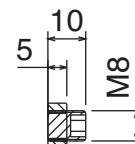
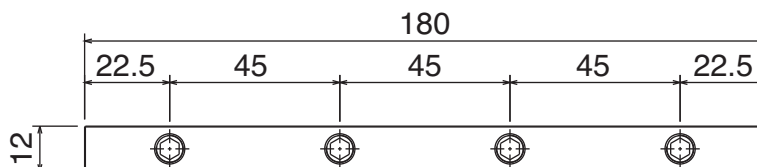
36000

Part	Article-Nr.	Version	Min. radius
358	35800	Single-lateral	250
359	35900	Double-lateral	500
360	36000	Single-central	500
361	36100	Double-central	750



## Elemento di giunzione / Connecting elements / Verbindungselement

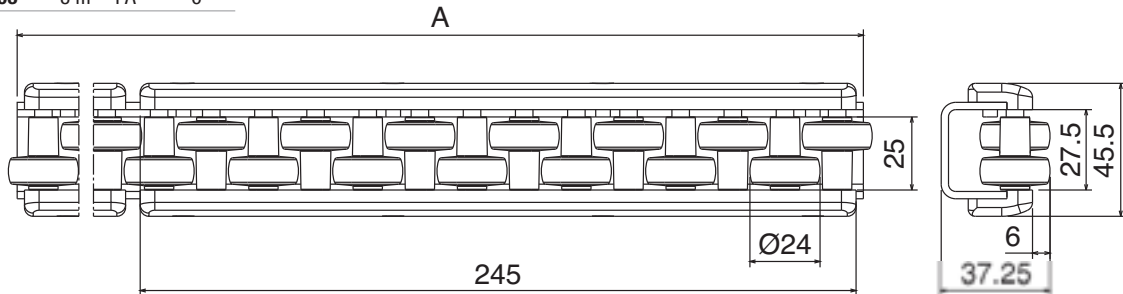
Part	Article-Nr.
333	33301



Materiale:	Material:	Materialien:
Profilo metallico e viti: Acciaio inox	Metal Profile and screws: Stainless steel	U-Schiene und Schrauben: Edelstahl
Modulo di connesse: PA	Connection module: PA	Module: PA
Rulli: resina acetica	Rollers: Acetal Resin	Röllchen: Azetal

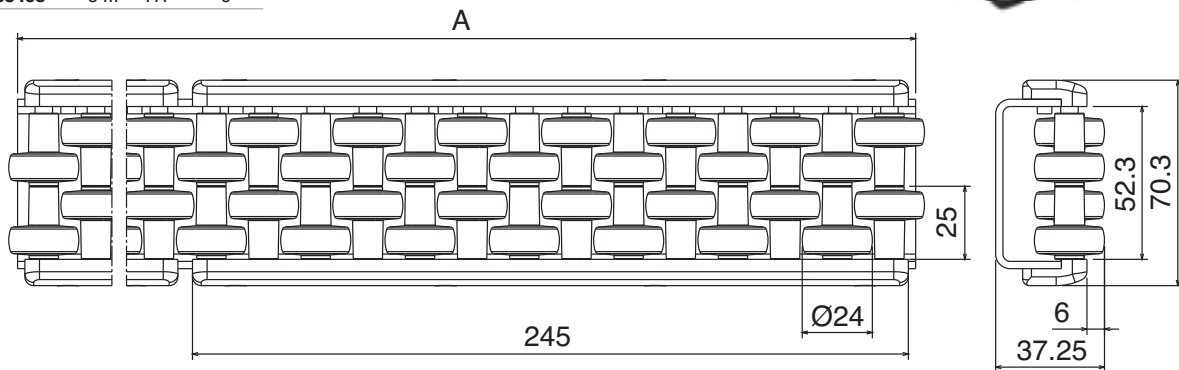
Guide a rulli di accumulo / Accumulation roller guides / Stauröllchenführung

Part	Article-Nr.	A	Pin	Pin DIA
353	35301	1 m	PA	6
353	35302	2 m	PA	6
353	35303	3 m	PA	6



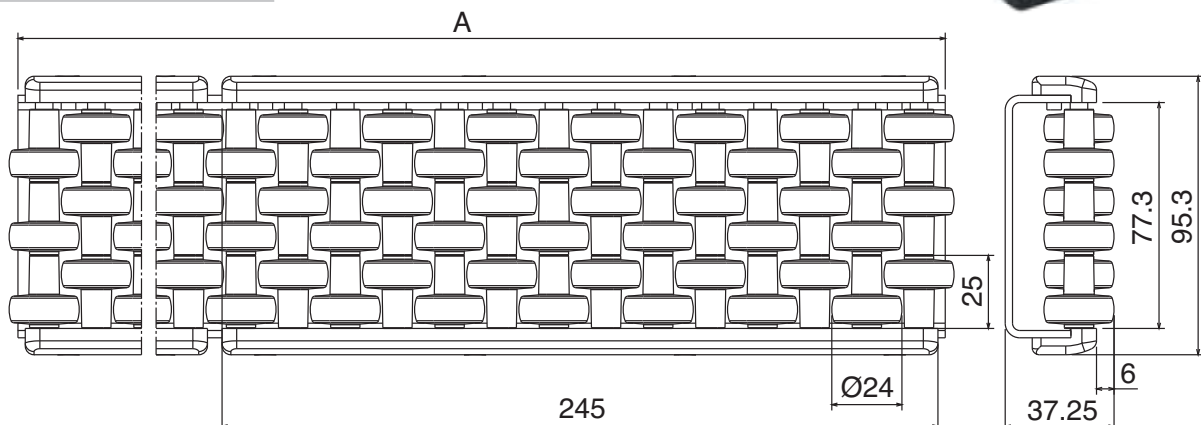
Guide a rulli di accumulo / Accumulation roller guides / Stauröllchenführung

Part	Article-Nr.	A	Pin	Pin DIA
354	35401	1 m	PA	6
354	35402	2 m	PA	6
354	35403	3 m	PA	6



Guide a rulli di accumulo / Accumulation roller guides / Stauröllchenführung

Part	Article-Nr.	A	Pin	Pin DIA
355	35501	1 m	SS	6
355	35502	2 m	SS	6
355	35503	3 m	SS	6

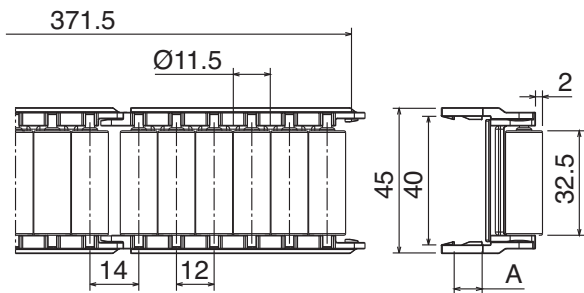


Materiale:	Material:	Materialien:
Resina acetica	Acetal Resin	Azetal

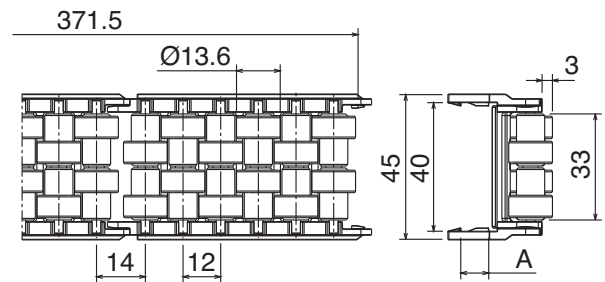


Guida a rulli flessibile / Flexible roller guide / Flexible Röllchenführung

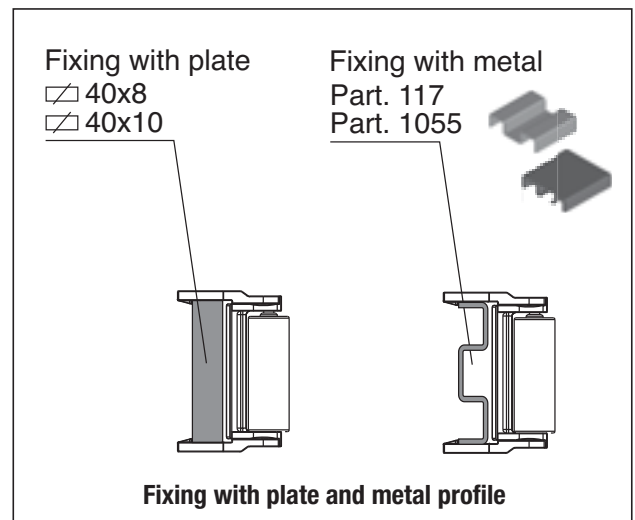
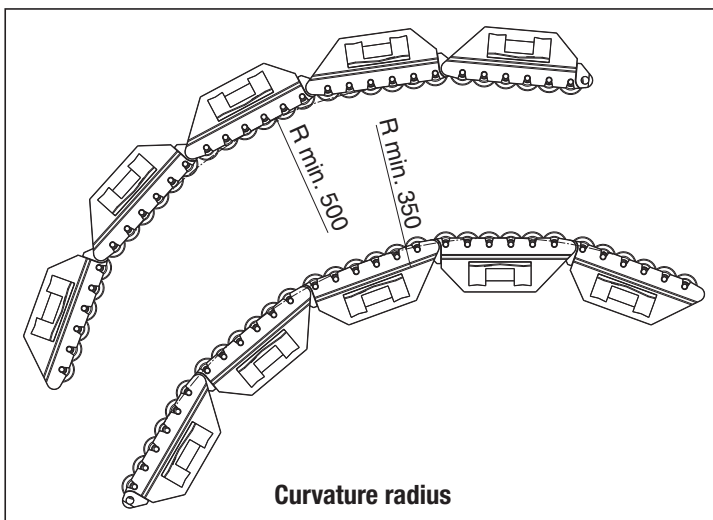
Part	Article-Nr.	Type	A
363	36301	A	8
363	36302	B	8
363	36303	A	10
363	36304	B	10



Type A



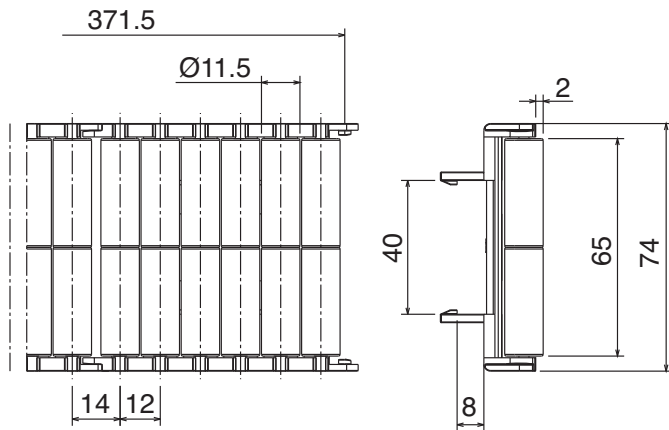
Type B



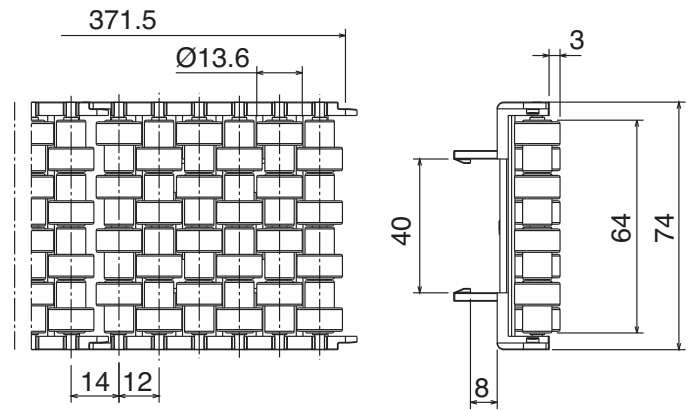
Materiale:	Material:	Materialien:
Resina acetatica	Acetal Resin	Azetal

Guida a rulli flessibile / Flexible roller guide / Flexible Röllchenführung

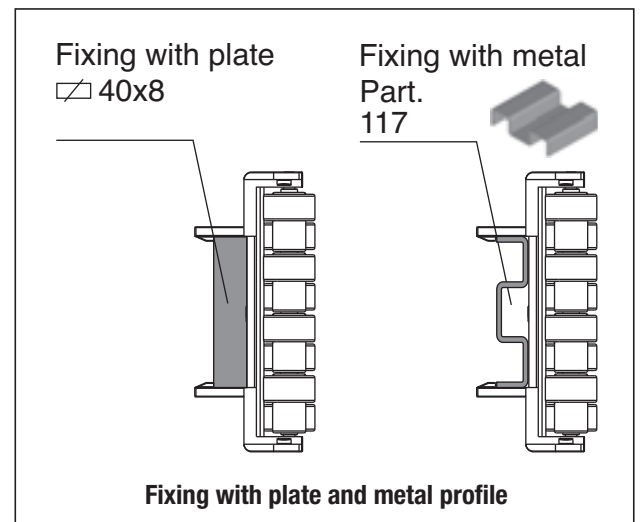
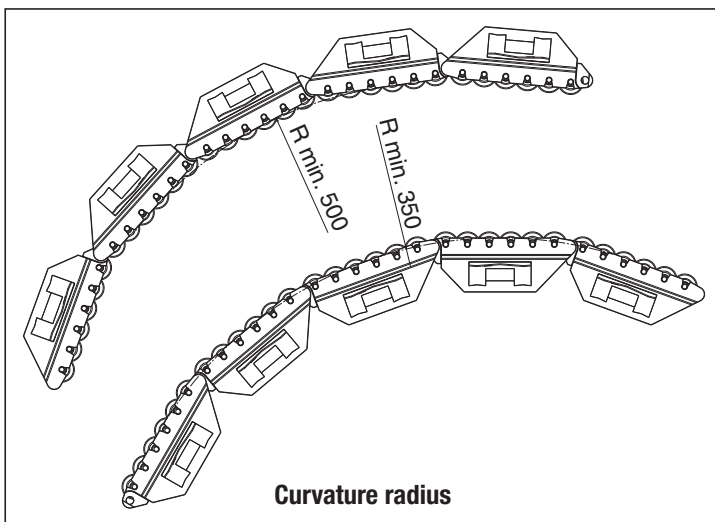
Part	Article-Nr.	Type
396	39601	A
396	39602	B



Type A



Type B

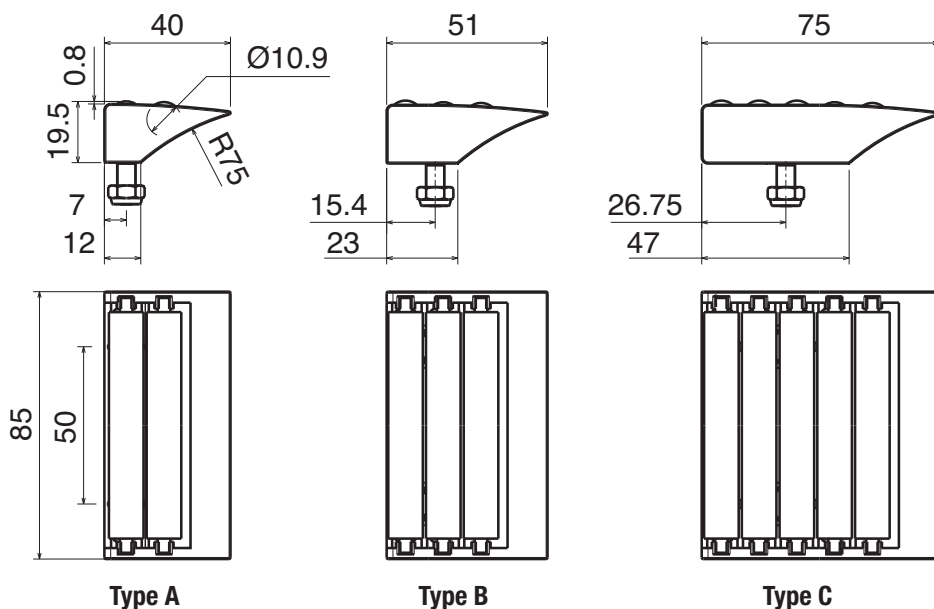


Materiale:	Material:	Materialien:
Modulo: resina acetilica	Moduls: acetal resin	Module: Azetal
Perni, viti e dadi: Acciaio inox	Pins, screws and nuts: Stainless steel	Bolzen, Schraube und Mutter: Edelstahl
Rulli: resina acetilica o acciaio inox	Rollers: acetal resin or stainless steel	Rolle: Azetal oder Edelstahl



Moduli di trasferimento L=85 mm / Transfer modules L=85 mm / Überschubmodul L=85 mm

Part	Article-Nr.	Type	Roller material
368	36801	A	Acetal resin
368	36802	B	Acetal resin
368	36803	C	Acetal resin
368	36801SS	A	Stainless steel
368	36802SS	B	Stainless steel
368	36803SS	C	Stainless steel

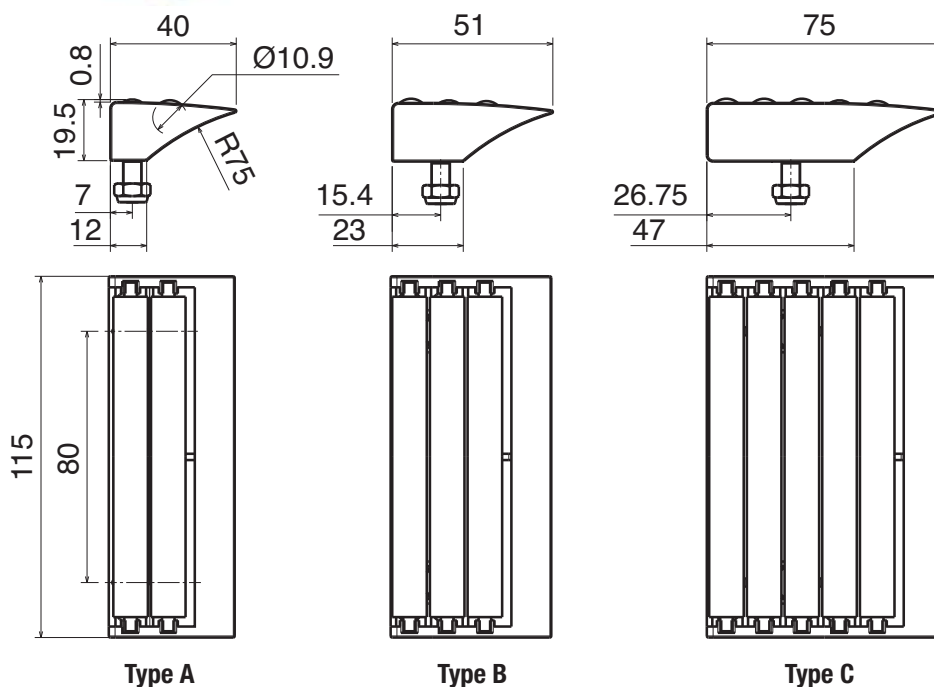


**Smart Roll**  
with mini bearing  
in stainless steel



Moduli di trasferimento L=115 mm / Transfer modules L=115 mm / Überschubmodul L=115 mm

Part	Article-Nr.	Type	Roller material
369	36901	A	Acetal resin
369	36902	B	Acetal resin
369	36903	C	Acetal resin
369	36901SS	A	Stainless steel
369	36902SS	B	Stainless steel
369	36903SS	C	Stainless steel



**Smart Roll**  
with mini bearing  
in stainless steel

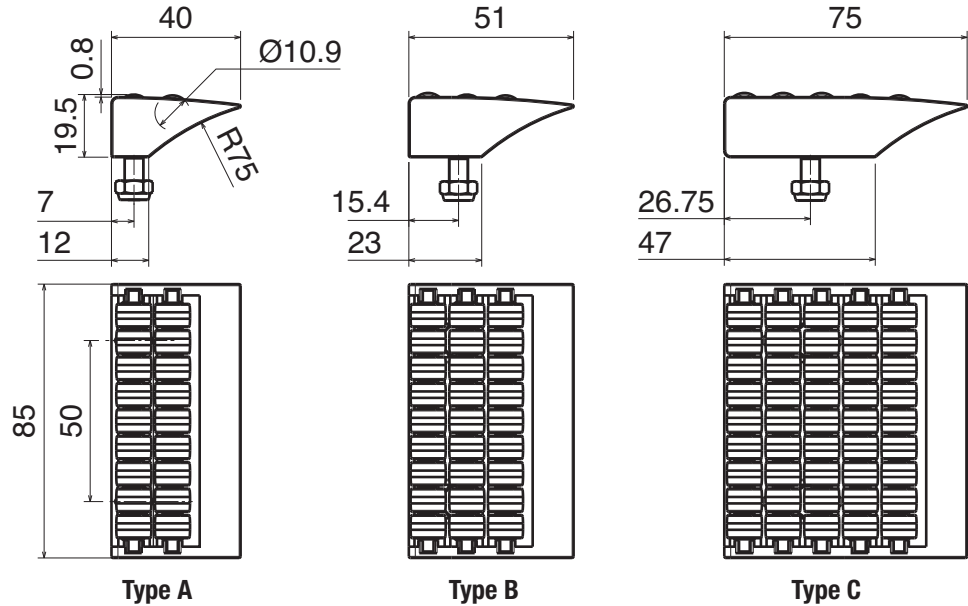




Materiale:	Material:	Materialien:
Modulo e rulli: resina acetalica	Moduls and rollers: acetal resin	Module und Rolle Azetal
Perni, viti e dadi: Acciaio inox	Pins, screws and nuts: Stainless steel	Bolzen, Schraube und Mutter: Edelstahl

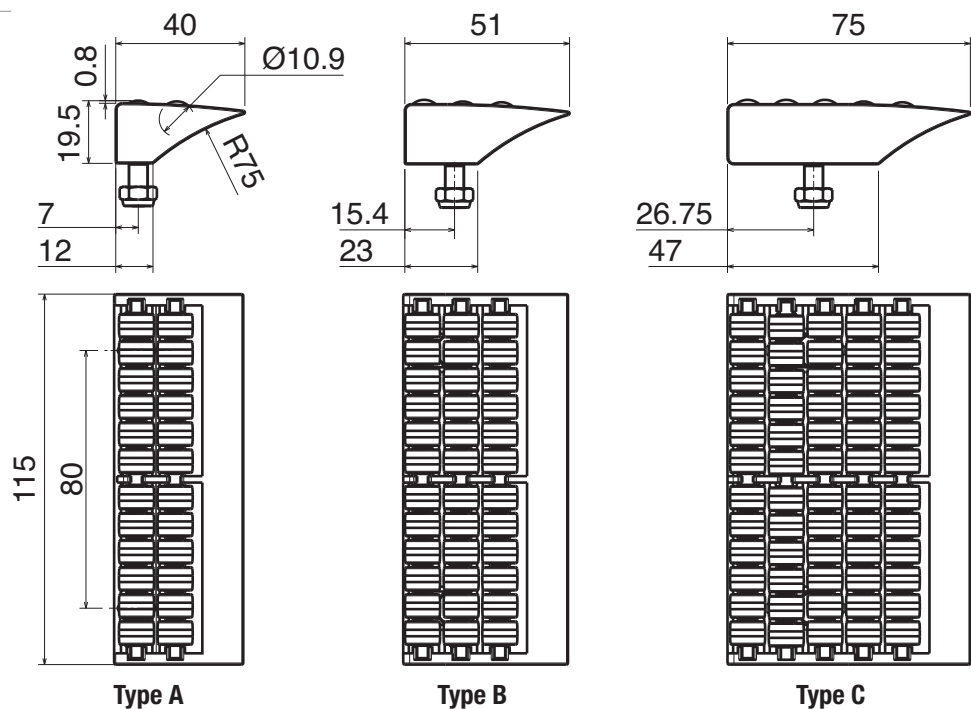
Moduli di trasferimento L=85 mm / Transfer modules L=85 mm / Überschubmodul L=85 mm

Part	Article-Nr.	Type
370	37001	A
370	37002	B
370	37003	C



Moduli di trasferimento L=115 mm / Transfer modules L=115 mm / Überschubmodul L=115 mm

Part	Article-Nr.	Type
371	37101	A
371	37102	B
371	37103	C

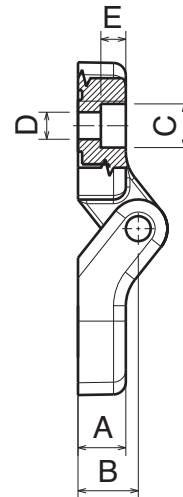
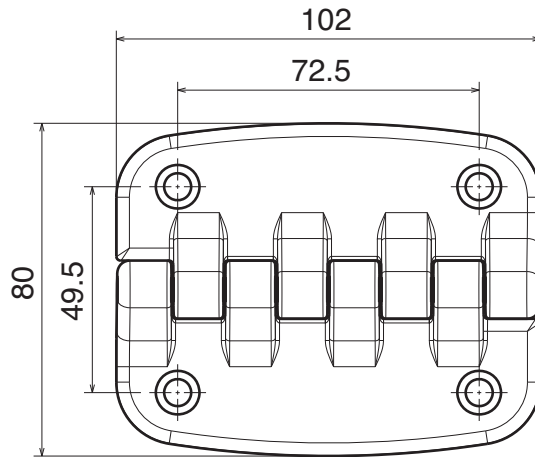


Materiale:	Material:	Materialien:
Cerniera: Poliammide	Hinges: Polyamide	Scharnier: Polyamid
Perni: Acciaio inox	Pins: Stainless steel	Bolzen: Edelstahl



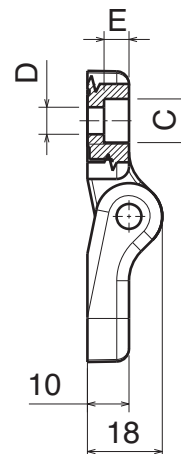
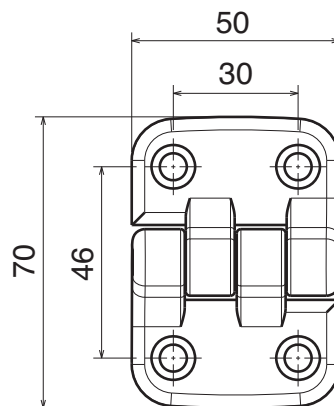
Cerniera / Hinge / Scharnier

Part	Article-Nr.	A	B	C	D	E
372	37201	11	14	10,5	6,5	6
372	37202	11	14	13,5	8,5	8
372	37203	18	21	13,5	8,5	8



Cerniera / Hinge / Scharnier

Part	Article-Nr.	C	D	E
373	37301	10,5	6,5	6
373	37302	13,5	8,5	4

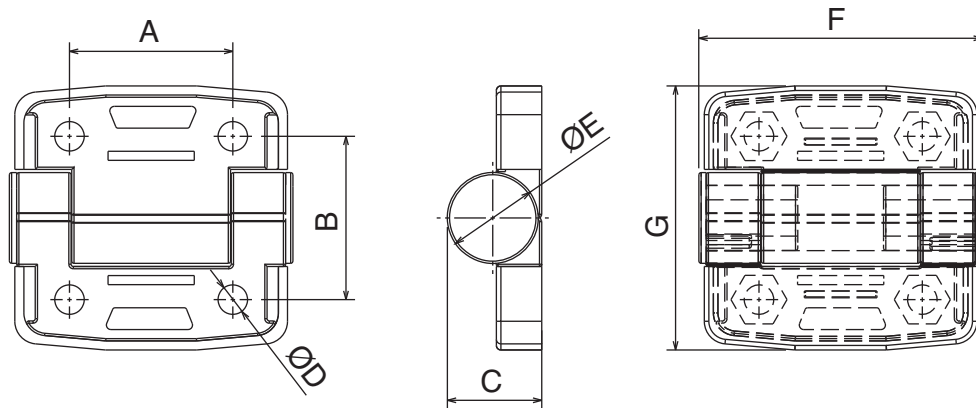


Materiale:	Material:	Materialien:
Cerniera: Poliammide o Acciaio inox	Hinges: Polyamide or Stainless steel	Scharnier: Polyamid oder Edelstahl

**Cerniera / Hinge / Scharnier**

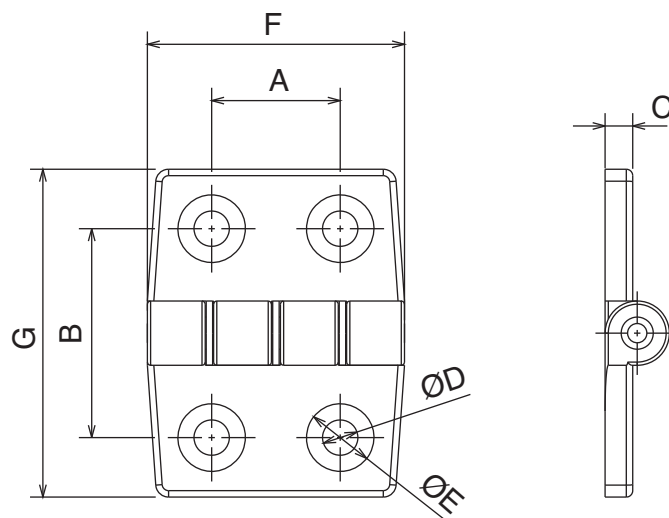


Part	Article-Nr.	A	B	C	ØD	ØE	F	G
383	38301	24	25	14,5	4,5	14	44,6	41
383	38302	36	36	20,8	6,5	20	62,5	58



**Cerniera Acciaio Inox / SS Hinge / Edelstahl Scharnier**

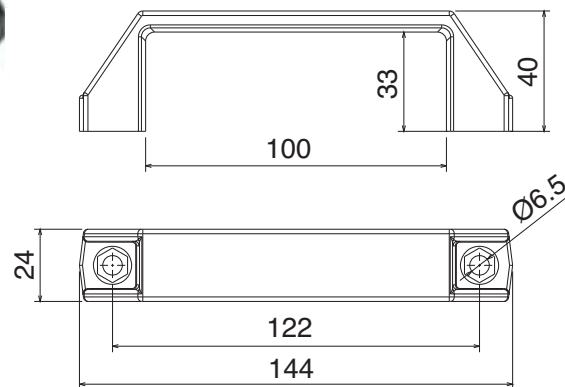
Part	Article-Nr.	A	B	C	ØD	ØE	F	G
384	38401	20	32,5	4,3	5,5	10,5	40	51
384	38402	30	41	5	6,5	12,5	60	71



Materiale:	Material:	Materialien:
Poliammide o Acciaio Inox	Polyamide or Stainless Steel	Polyamid oder Edelstahl



### Maniglia ad impugnatura morbida / Soft touch handle / Handgriffe "Soft Touch"

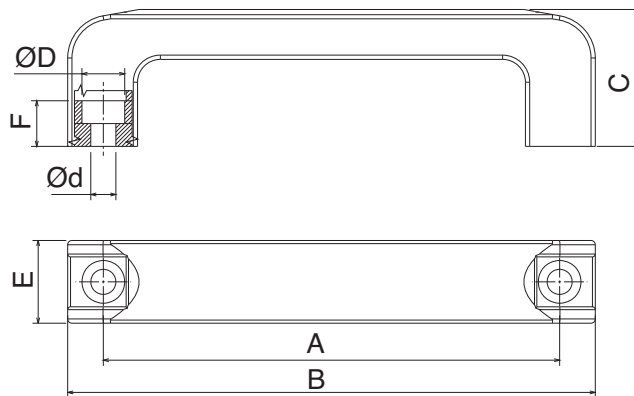


Part	Article-Nr.
385	38501



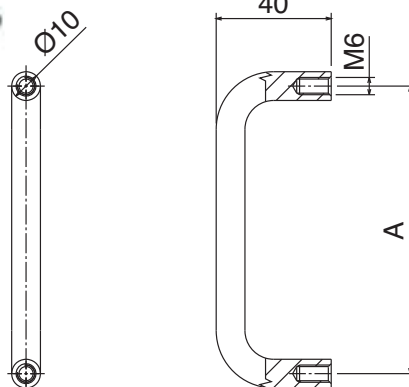
### Maniglia / Handle / Handgriff

Part	Article-Nr.	A	B	C	Ød	ØD	E	F
386	38601	120	140	40	8,8	13	24,5	16
386	38602	160	185	48	8,8	15	29	16



### Maniglia acciaio inox / Stainless Steel handle / Handgriffe Edelstahl

Part	Article-Nr.	A
397	39701	95
397	39702	100
397	39703	110



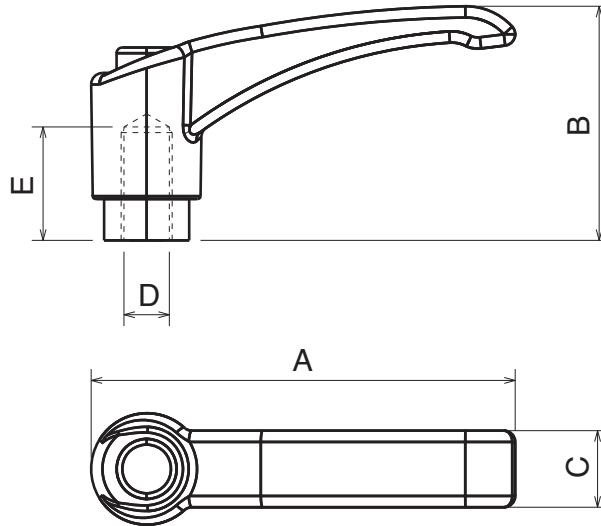
**Stainless steel  
AISI 304**

Materiale:	Material:	Materialien:
Morsetti: Poliammide	Handels: Polyamide	Griff: Polyamid
Inserto femmina: ottone nichelato	Female insert: Nickel plated brass	Einsatz: Messing vernickelt
Inserto maschio: Acciaio inox	Male insert: Stainless steel	Aussengewinde: Edelstahl

Maniglia a ripresa / Adjustable handle / Ratschenhebel



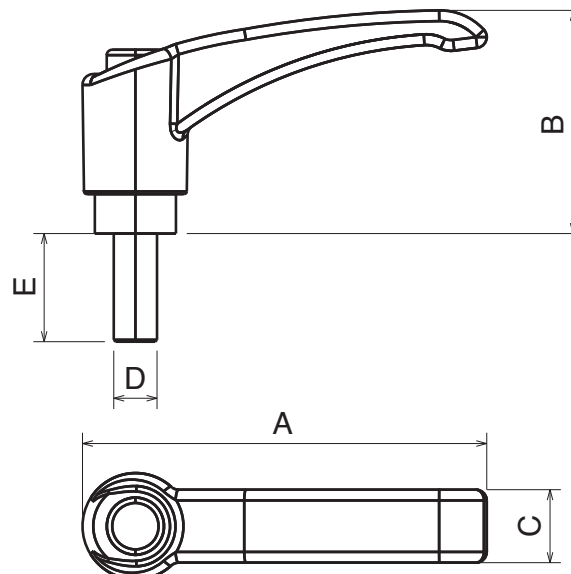
Part	Article-Nr.	A	B	C	D	E
374	37401	75	41	13	M8	11
374	37402	92	53	16	M10	16



Maniglia a ripresa / Adjustable handle / Ratschenhebel



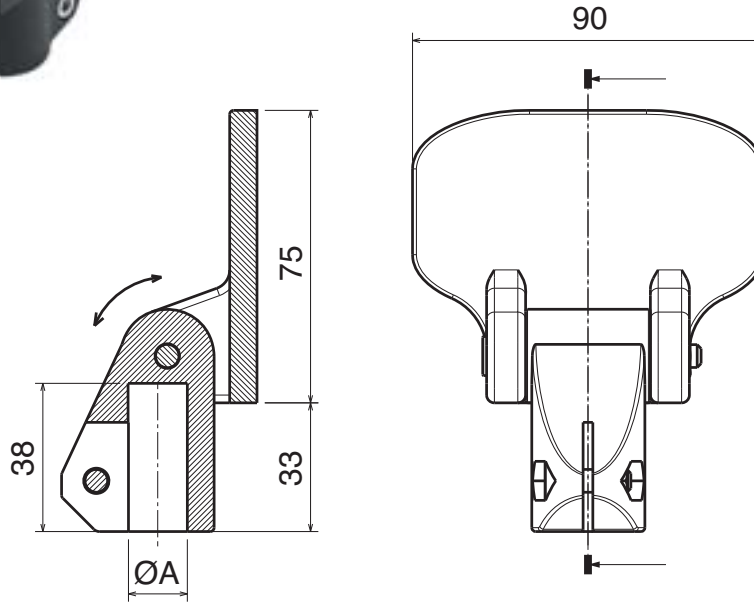
Part	Article-Nr.	A	B	C	D	E
375	37501	75	41	13	M8	20
375	37502	92	53	16	M10	25



Materiale:	Material:	Materialien:
Morsetti: Poliammide	Clamps: Polyamide	Klemme: Polyamid
Viti e dadi: Acciaio inox	Screws and nuts: Stainless steel	Schraube und Mutter: Edelstahl



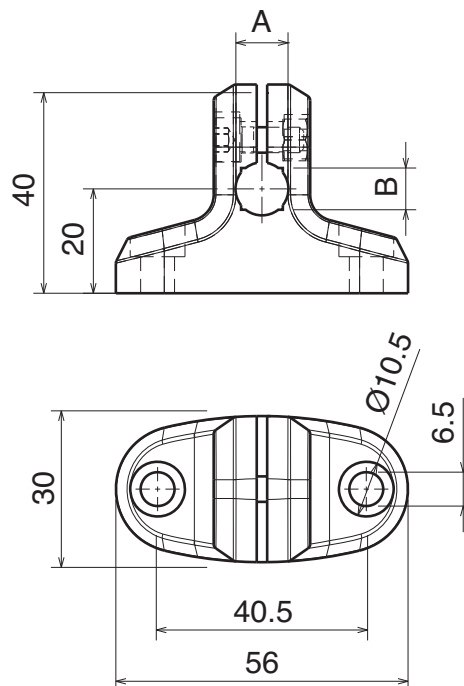
Morsetto standard per fotocellula o riflettore / Clamp for photocells or reflector / Klemme für Fotozelle oder Reflektor



Part	Article-Nr.	ØA
377	37701	14
377	37702	16
377	37703	20



Morsetti "T" / T-clamp / T-Klemme

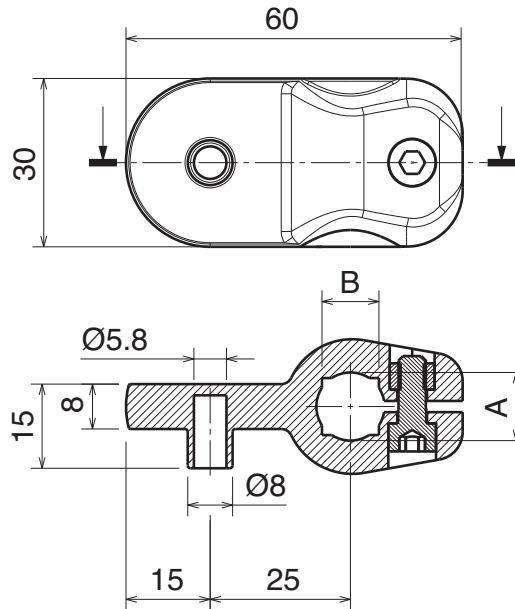


Part	Article-Nr.	A	B
378	37801	10	8
378	37802	12	10
378	37803	14	12

Materiale:	Material:	Materialien:
Morsetti: Poliammide	Clamps: Polyamide	Klemme: Polyamid
Viti e dadi: Acciaio inox	Screws and nuts: Stainless steel	Schraube und Mutter: Edelstahl

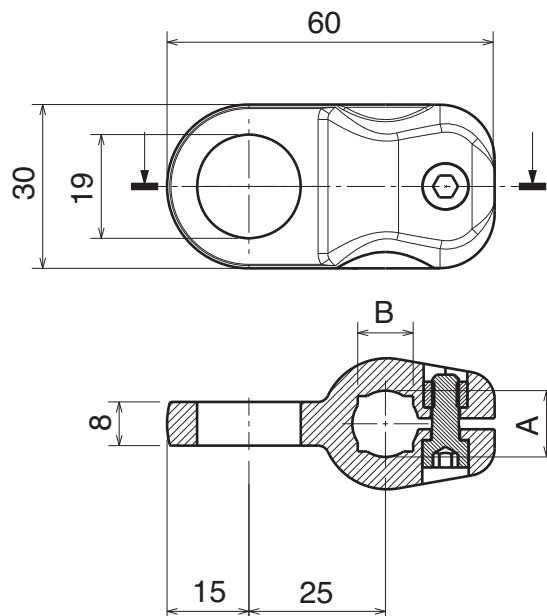
**Morsetto per riflettore / Clamp for reflector / Reflektorklemme**

Part	Article-Nr.	A	B
379	37901	10	8
379	37902	12	10
379	37903	14	12



**Morsetto per fotocellule o sensori / Clamp for photocells or sensors / Klemme für Lichtschranke oder Sensoren**

Part	Article-Nr.	A	B
380	38001	10	8
380	38002	12	10
380	38003	14	12

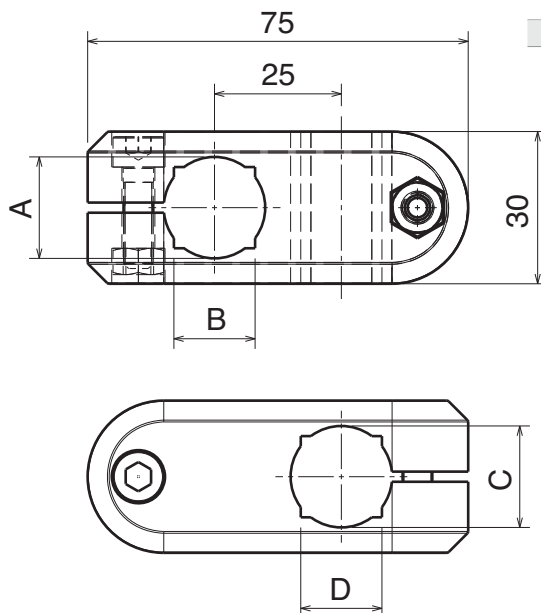


Materiale:	Material:	Materialien:
Morsetti: Poliammide	Clamps: Polyamide	Klemme: Polyamid
Viti e dadi: Acciaio inox	Screws and nuts: Stainless steel	Schraube und Mutter: Edelstahl



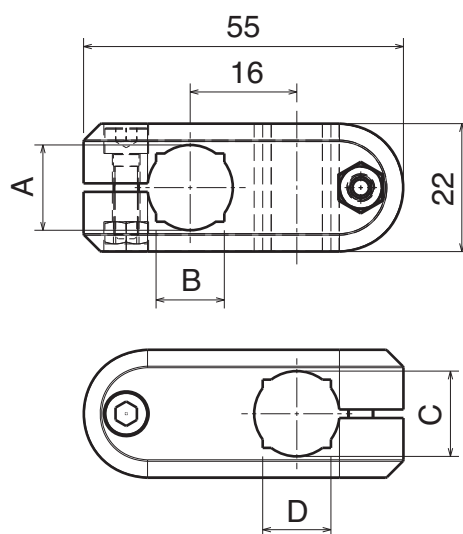
Morsetto a croce / Cross clamp / Kreuzklemme

Part	Article-Nr.	A	B	C	D
381	38101	14	12	14	12
381	38102	16	14	16	14
381	38103	18	-	18	-
381	38104	20	16	20	16



Morsetto a croce / Cross clamp / Kreuzklemme

Part	Article-Nr.	A	B	C	D
382	38201	10	8	10	8
382	38202	12	10	12	10
382	38203	14	12	14	12

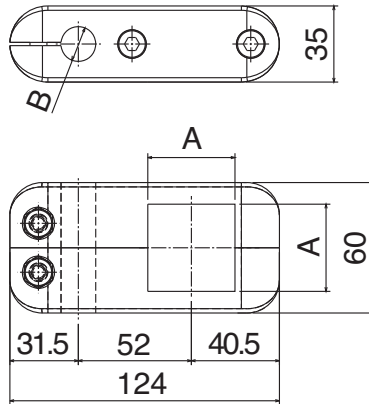




Materiale:	Material:	Materialien:
Volantino: PA+ ottone nichelato	Knob: PA+ nickel plated brass	Stengriff: PA+ messing vernickelt
Tirante e rondella: Acciaio inox	Eyebolt and washer: Stainless steel	Augenschraube und Unterlegs: Edelstahl
Corpo: PA	Body: PA	Korpus: PA

Morsetto a croce "extra" / Extra Cross Block / Kreuzklemme "Extra"

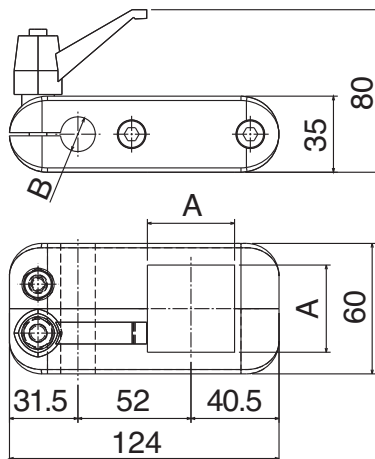
Part	Article-Nr.	A	B
376	37601	30x30	16
376	37602	40x40	16
376	37603	40x40	20



**New**

Morsetto a croce "extra" con maniglia / Extra Cross Block with handle / Kreuzklemme "Extra" m. Ratschenhebel

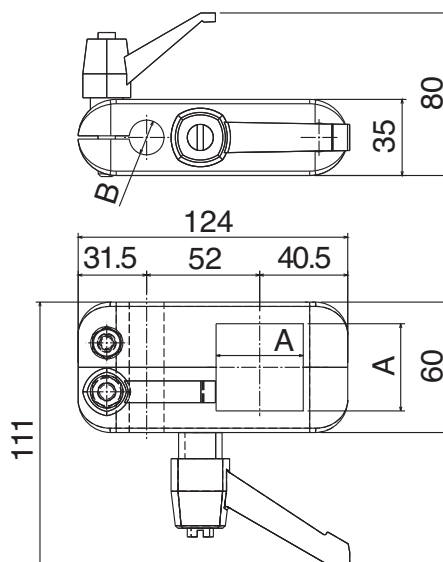
Part	Article-Nr.	A	B
376	37611	30x30	16
376	37612	40x40	16
376	37613	40x40	20



**New**

Morsetto a croce "extra" con maniglie / Extra Cross Block with handles / Kreuzklemme "Extra" m. Ratschenhebel

Part	Article-Nr.	A	B
376	37621	30x30	16
376	37622	40x40	16
376	37623	40x40	20



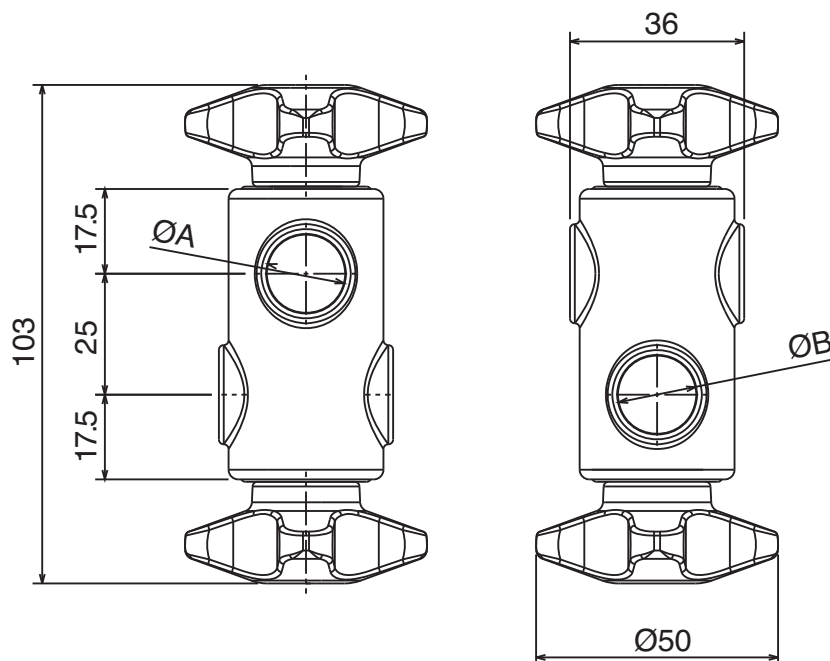
**New**



Materiale:	Material:	Materialien:
Volantino: PA+ ottone nichelato	Knob: PA+ nickel plated brass	Stengriff: PA+ messing vernickelt
Tirante e rondella: Acciaio inox	Eyebolt and washer: Stainless steel	Augenschraube und Unterlegs: Edelstahl
Corpo: PA	Body: PA	Korpus: PA

### Morsetto a croce / Cross Block / Kreuzblock

Part	Article-Nr.	ØA	ØB
391	39101	12	12
391	39103	14	14
391	39102	16	16
391	39104	12	16



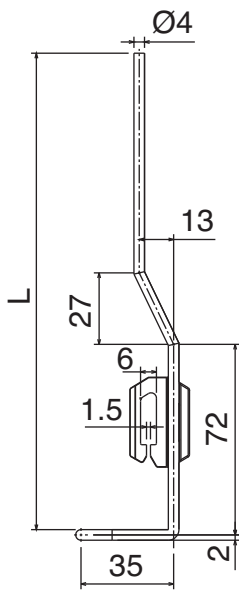
Materiale:	Material:	Materialien:
Supporto: Acciaio inox	Support: Stainless steel	Halter: Edelstahl
Morsetto: PA	Clamps: PA	Klemme: PA

Sostegno per Sgocciolatoio / Drip Tray Supports / Tropfblechhalter

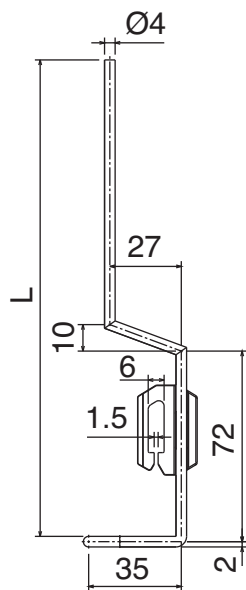


Part	Article-Nr.	L	Type
387	38701	180	A
387	38702	250	A
387	38703	180	B
387	38704	250	B
387	38705	280	B
387	38706	246	C
387	38707	396	C
387	38708	180	D
387	38709	250	D

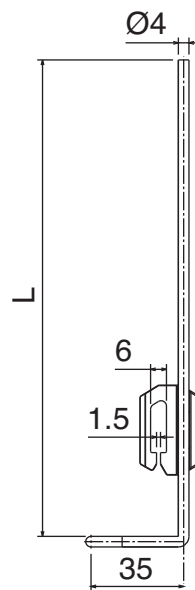
**New**



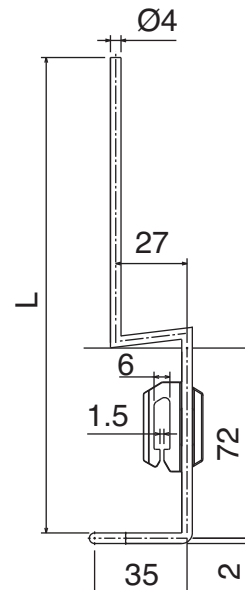
Type A



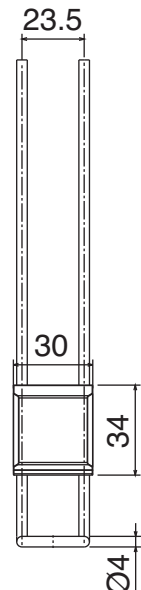
Type B



Type C



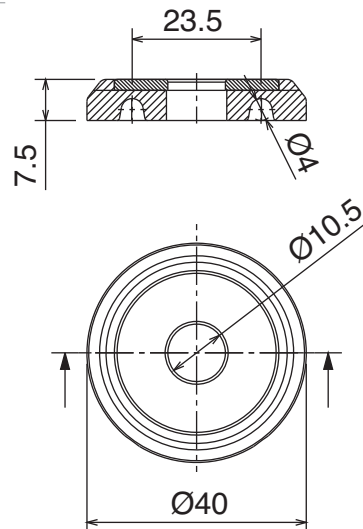
Type D



Rondella di fissaggio / Fixing washer / Fixierscheibe



Part	Article-Nr.
388	38801





# conveyor support components

 pag. 220	 pag. 220	 pag. 221	 pag. 221	 pag. 222	 pag. 222
 pag. 223	 pag. 224	 pag. 224	 pag. 225	 pag. 226	 pag. 226
 pag. 227	 pag. 227	 pag. 228	 pag. 229	 pag. 229	 pag. 229
 pag. 230	 pag. 231	 pag. 232	 pag. 232	 pag. 232	 pag. 232
 pag. 232	 pag. 233	 pag. 234	 pag. 234	 pag. 234	 pag. 234
 pag. 234	 pag. 234	 pag. 234	 pag. 234	 pag. 234	 pag. 234
 pag. 234	 pag. 234	 pag. 234	 pag. 234	 pag. 234	 pag. 234

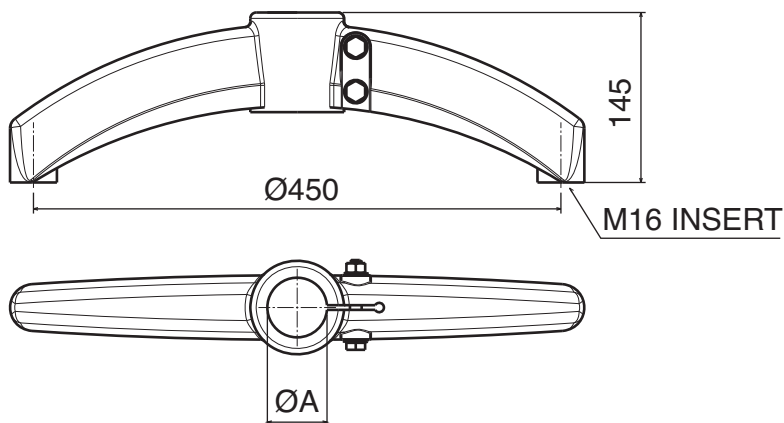


Materiale:	Material:	Materialien:
Basi: Poliammide	Base: Polyamide	Halter: Polyamid
Viti e rondelle: Acciaio inox	Screws and washers: Stainless steel	Schrauben und Scheibe Edelstahl
Inserti e dadi: ottone nichelato	Inserts nuts: nickel plated brass	Mutter: Messing vernickelt



### Base a due braccia / Bipod / Zweibeinhalter

Part	Article-Nr.	ØA
401	40101	48,3
401	40105	50,9
401	40102	60,3

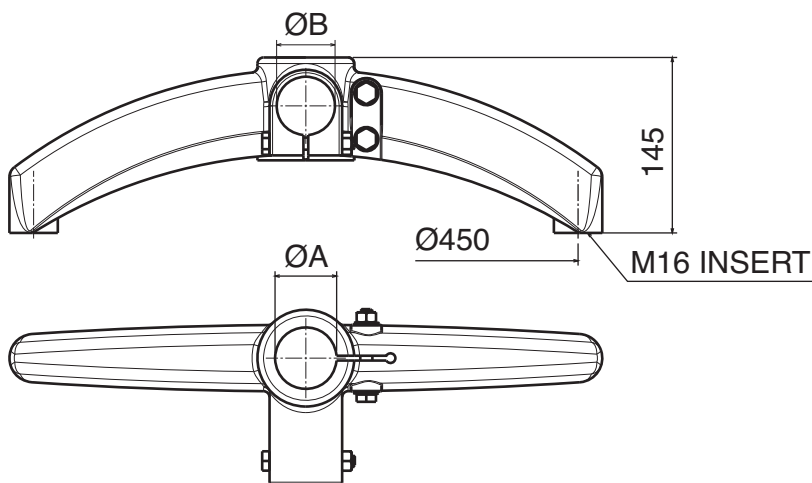


**Tube sliding load resistance**  
P= 8000N  
**Max applicable load**  
P= 9600N  
**Bolts tightening torque**  
35 N.m



### Base a due braccia 180° con giunto / Bipod 180° with connector / Zweibeinhalter 180° m. Verbinder

Part	Article-Nr.	ØA	ØB
402	40201	48,3	48,3
402	40205	50,9	48,3
402	40202	60,3	48,3
402	40203	48,3	42,4
402	40206	50,9	42,4
402	40204	60,3	42,4



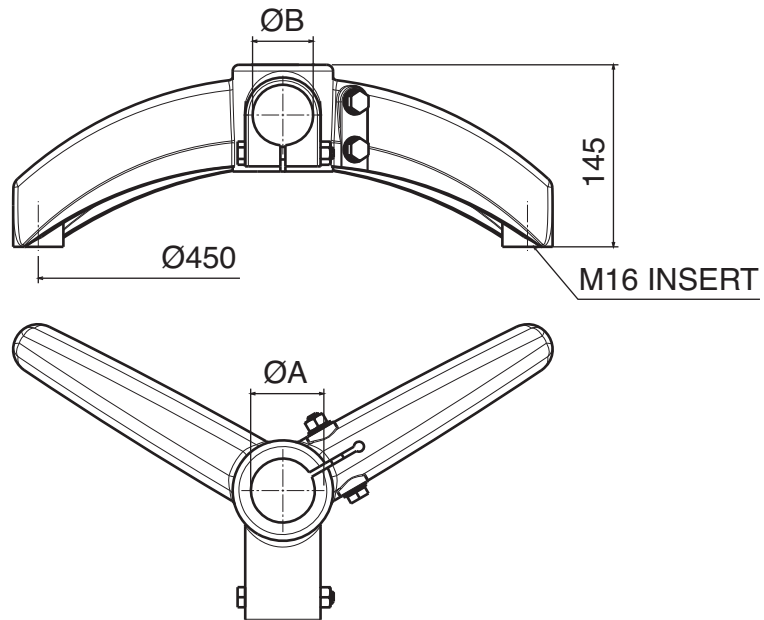
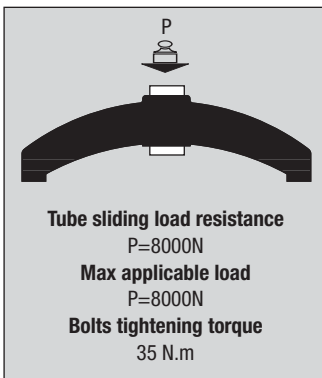
**Tube sliding load resistance**  
P=8000N  
**Max applicable load**  
P=8000N  
**Bolts tightening torque**  
35 N.m

Materiale:	Material:	Materialien:
Basi: Poliammide	Base: Polyamide	Halter: Polyamid
Viti e rondelle: Acciaio inox	Screws and washers: Stainless steel	Schrauben und Scheibe Edelstahl
Inserti e dadi: ottone nichelato	Inserts nuts: nickel plated brass	Mutter: Messing vernickelt

Base a due braccia 120° con giunto / Bipod 120° with connector / Zweibeinhalter 120° m. Verbinder



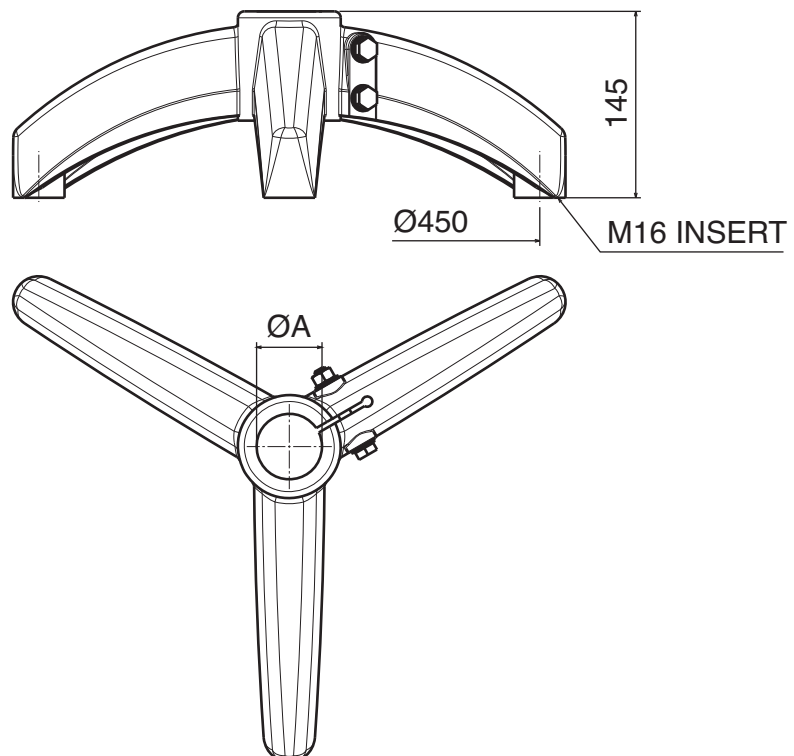
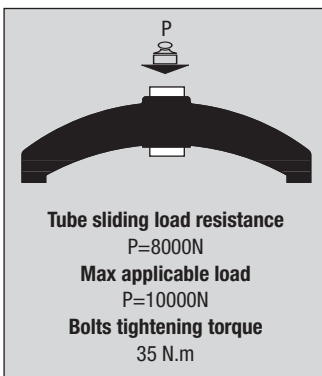
Part	Article-Nr.	ØA	ØB
403	40301	48,3	48,3
403	40305	50,9	48,3
403	40302	60,3	48,3
403	40303	48,3	42,4
403	40306	50,9	42,4
403	40304	60,3	42,4



Base a tre braccia / Tripod / Dreibeinhalter



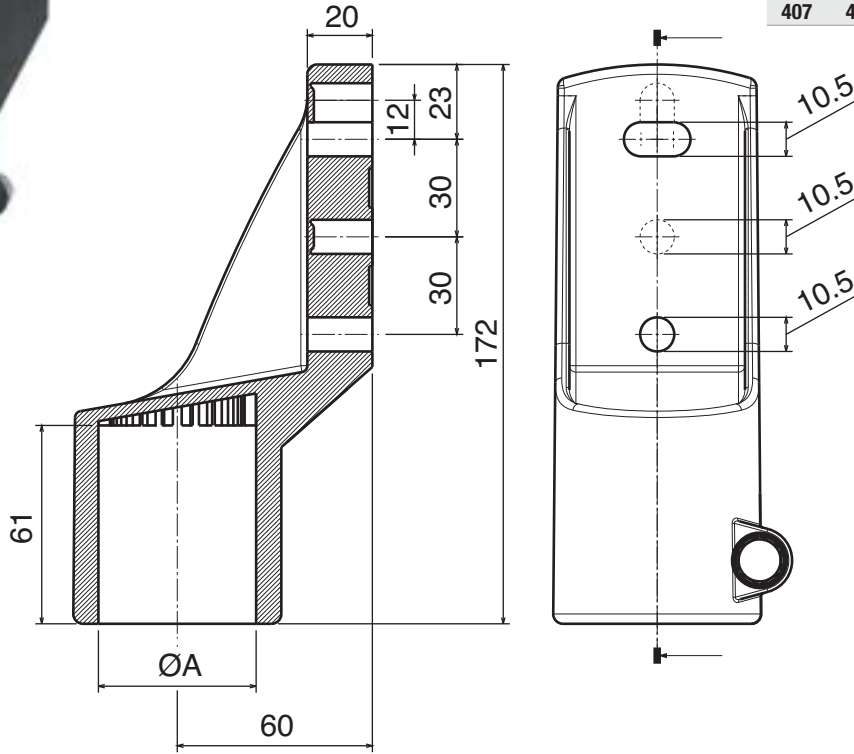
Part	Article-Nr.	ØA
404	40401	48,3
404	40405	50,9
404	40402	60,3



Materiale:	Material:	Materialien:
Testata: Poliammide	Side bracket: Polyamide	Halter: Polyamid
Viti e rondelle: Acciaio inox	Screws and washers: Stainless steel	Schrauben und Scheibe Edelstahl
Dadi: ottone nichelato	Nuts: nickel plated brass	Mutter: Messing vernickelt



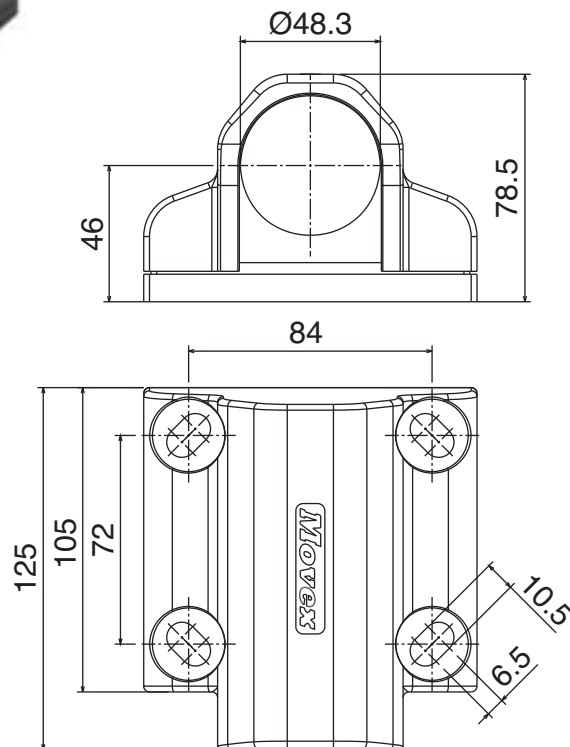
Testata laterale / Side mounting top bracket / seitlicher Stützkopf



Part	Article-Nr.	ØA
407	40701	48,3
407	40702	50,9



Testata laterale / Side mounting top bracket / seitlicher Stützkopf



Part	Article-Nr.
408	40801

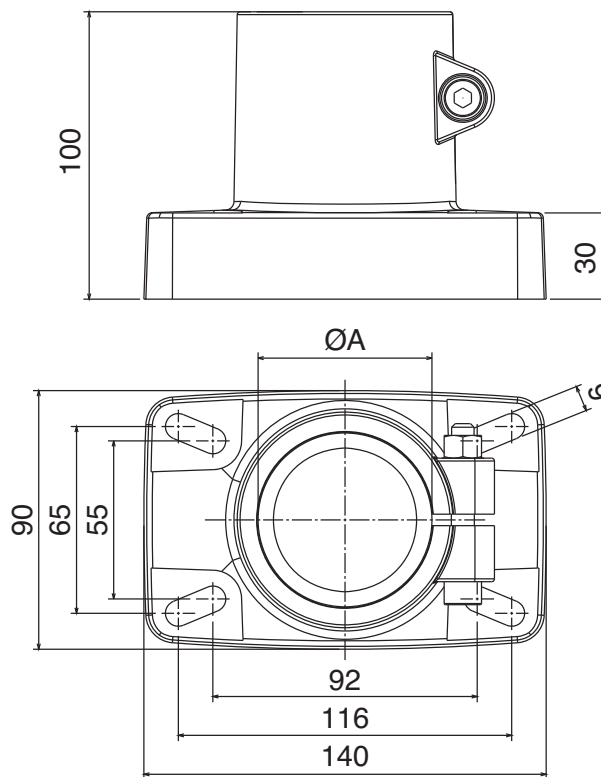




Materiale:	Material:	Materialien:
Testata: Poliammide	Support head: Polyamide	Halter: Polyamid
Viti e rondelle e dado:	Screws, washers and nut:	Schrauben, Scheibe und Mutter
Acciaio inox	Stainless steel	Edelstahl



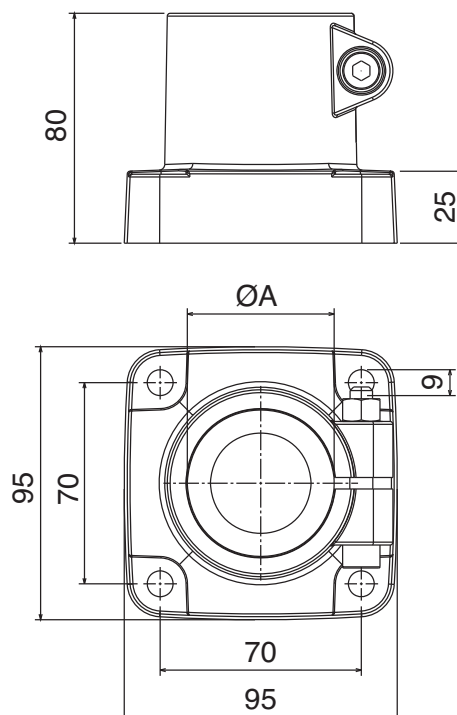
### Testata d'appoggio / Support head / Stützkopf



Part	Article-Nr.	ØA
410	41001	48,3
410	41002	60,3



### Testata d'appoggio / Support head / Stützkopf



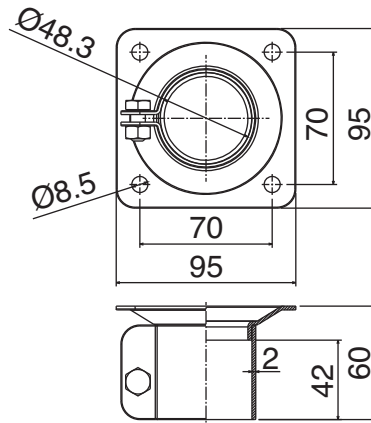
Part	Article-Nr.	ØA
411	41101	48,3
411	41102	50,9

Materiale:	Material:	Materialien:
Acciaio inox	Stainless steel	Edelstahl

Testata d'appoggio / Support head / Stützkopf

Part Article-Nr.

426 42601



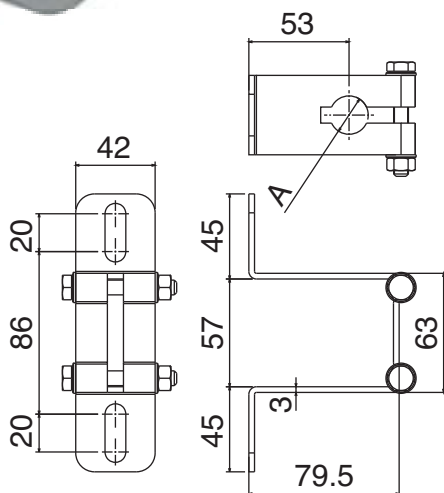
Stainless steel  
AISI 304

Materiale:	Material:	Materialien:
Acciaio inox	Stainless steel	Edelstahl

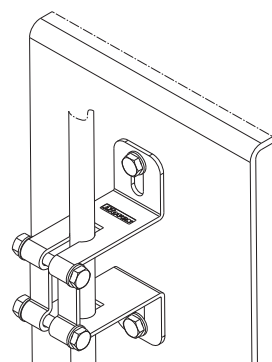


Supporto laterale / Side bracket / Seitenhalter

Part	Article-Nr.	A
427	42701	16
427	42702	20

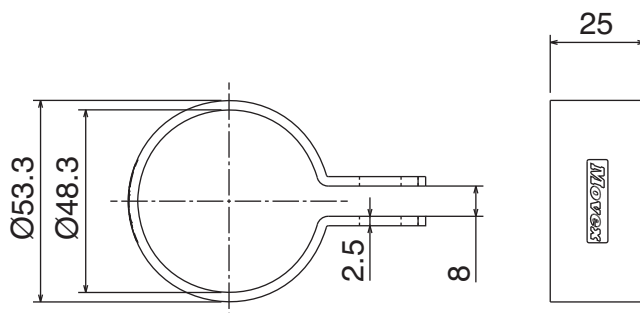


Stainless steel  
AISI 304



Morsetto a collare / Clamp collar / Klemmschelle

Part	Article-Nr.
425	42501



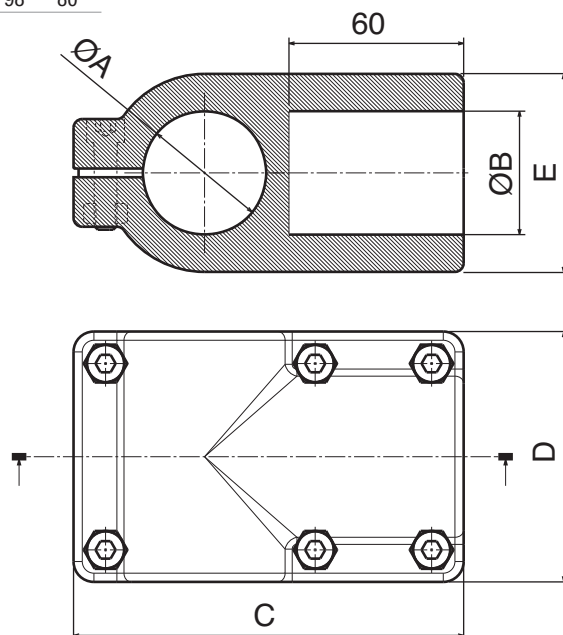
Stainless steel  
AISI 304

Materiale:	Material:	Materialien:
Giunto: Poliammide	Joint: Polyamide	Verbinder: Polyamid
Viti e rondelle:	Screws and washers:	Schrauben und Scheibe:
Acciaio inox	Stainless steel	Edelstahl
Dadi: ottone nichelato	Nuts: nickel plated brass	Mutter: Messing vernickelt

Giunto di collegamento / Connecting joint / Verbindungselement



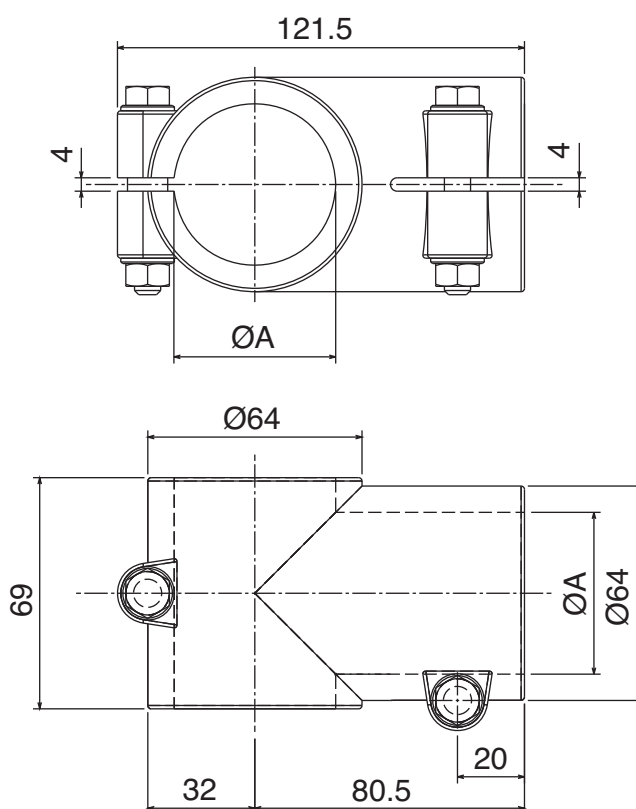
Part	Article-Nr.	ØA	ØB	C	D	E
413	41301	48,3	48,3	134	86	68
413	41302	60,3	48,3	146	98	80
413	41303	60,3	60,3	146	98	80



Giunto di collegamento / Connecting joint / Verbindungselement



Part	Article-Nr.	ØA
417	41701	48,3
417	41702	50,9



Materiale:  
Acciaio inox

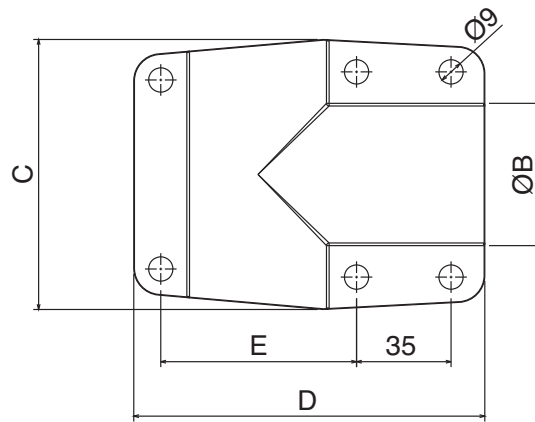
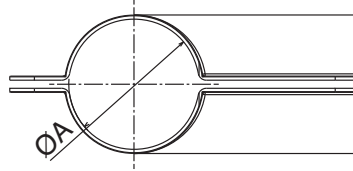
Material:  
Stainless steel

Materialien:  
Edelstahl



Giunto di collegamento (acciaio inox) / Connecting joint (SS) / Verbindungselement (Edelstahl)

Part	Article-Nr.	ØA	ØB	C	D	E
414	41401	48,3	48,3	100	130	72,5
414	41402	60,3	60,3	110	130	92,5



Stainless steel  
AISI 304

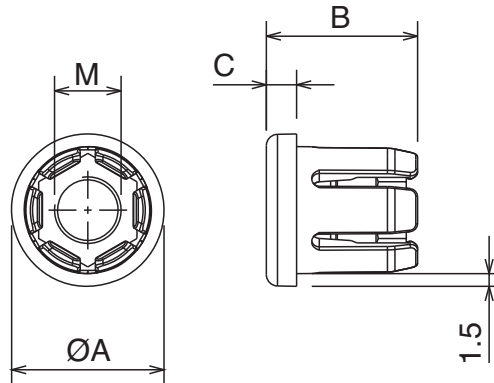


Materiale:	Material:	Materialien:
Tappo: Poliammide	Plug: Polyamide	Stopfen: Polyamid
Inserti: PA o ottone nichelato	Inserts: PA or nickel plated brass	Einsatz: PA oder Messing vernickelt

Tappi ad espansione / Expansions plugs / Gewindezapfen, Spreizbar



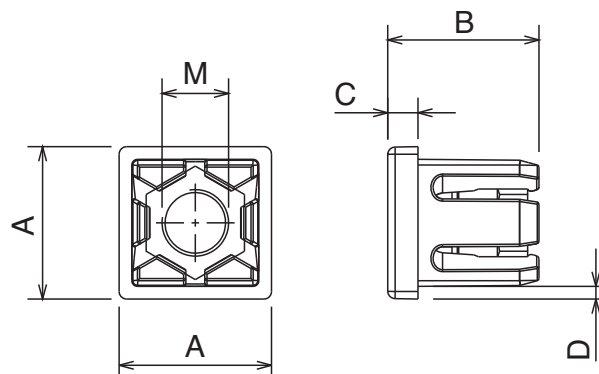
Part	Article-Nr.		ØA	B	C	M
	Brass Bush	PA Bush				
419	41901	-	20	20	4	M8
419	41902	-	20	20	4	M10
419	41903	41913	38	40	5	M8
419	41904	41914	38	40	5	M10
419	41905	41915	42,4	40	5	M8
419	41906	41916	42,4	40	5	M10



Tappi ad espansione / Expansions plugs / Gewindezapfen, Spreizbar



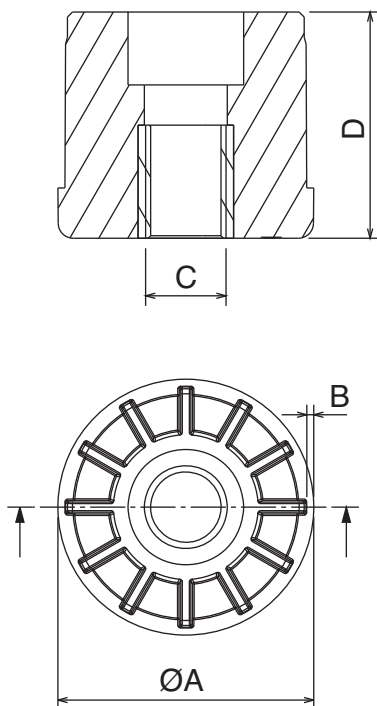
Part	Article-Nr.		A	B	C	D	M
	Brass Bush	PA Bush					
420	42001	-	20	20	4	1,5	M8
420	42002	-	20	20	4	1,5	M10
420	42003	-	20	20	4	2	M8
420	42004	-	20	20	4	2	M10
420	42005	42015	40	40	5	2	M8
420	42006	42016	40	40	5	2	M10





Materiale:	Material:	Materialien:
Tappo: Poliammide	Plug: Polyamide	Stopfen: Polyamid
Inserti: ottone nichelato	Inserts: nickel plated brass	Einsatz: Messing vernickelt

### Tappi tondi filettati / Threaded bushings for round tubes / Gewindezapfen f. Rund-Rohr



Part	Article-Nr.	ØA	B	C	D	Part	Article-Nr.	ØA	B	C	D
415	41507			M10	33	415	41553			M10	48
415	41508		1	M12	33	415	41554			M12	48
415	41509			M14	33	415	41555		2	M14	48
415	41510			M16	33	415	41556			M16	48
415	41511			M10	33	415	41557		48,3	M20	48
415	41512		1,5	M12	33	415	41558			M10	48
415	41513			M14	33	415	41559			M12	48
415	41514			M16	33	415	41560		2,5	M14	48
415	41515	30		M10	33	415	41561			M16	48
415	41516		2	M12	33	415	41562			M20	48
415	41517			M14	33	415	41563			M10	50
415	41518			M16	33	415	41564			M12	50
415	41519			M10	33	415	41565	50	1,5	M14	50
415	41520			M12	33	415	41503			M16	50
415	41521		2,5	M14	33	415	41504			M20	50
415	41522			M16	33	415	41566			M10	50
415	41523			M10	40	415	41567			M12	50
415	41524		1,5	M12	40	415	41568		1,5	M14	50
415	41525			M14	40	415	41569			M16	50
415	41526			M16	40	415	41570			M20	50
415	41527			M10	40	415	41571			M10	50
415	41528		2	M12	40	415	41572			M12	50
415	41529	38		M14	40	415	41573	50,9	2	M14	50
415	41530			M16	40	415	41574			M16	50
415	41531			M10	40	415	41575			M20	50
415	41532		2,5	M12	40	415	41576			M10	50
415	41533			M14	40	415	41577			M12	50
415	41534			M16	40	415	41578		2,5	M14	50
415	41535			M10	43	415	41579			M16	50
415	41536			M12	43	415	41580			M20	50
415	41537		1,5	M14	43	415	41581			M10	55
415	41538			M16	43	415	41582			M12	55
415	41539			M20	43	415	41583		1,5	M14	55
415	41540			M10	43	415	41584			M16	55
415	41541			M12	43	415	41585			M20	55
415	41542	42,4	2	M14	43	415	41586			M10	55
415	41543			M16	43	415	41587			M12	55
415	41544			M20	43	415	41588	60,3	2	M14	55
415	41545			M10	43	415	41505			M16	55
415	41546			M12	43	415	41506			M20	55
415	41547		2,5	M14	43	415	41589			M10	55
415	41548			M16	43	415	41590			M12	55
415	41549			M20	43	415	41591		2,5	M14	55
415	41550			M10	48	415	41592			M16	55
415	41551			M12	48	415	41593			M20	55
415	41552	48,3	1,5	M14	48						
415	41501			M16	48						
415	41502			M20	48						



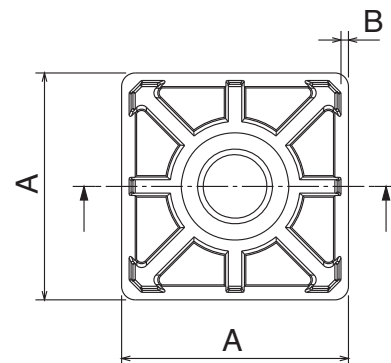
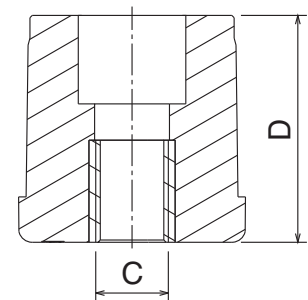
Materiale:	Material:	Materialien:
Tappo: Poliammide	Plug: Polyamide	Stopfen: Polyamid
Inseriti: ottone nichelato	Inserts: nickel plated brass	Einsatz: Messing vernickelt

Tappi quadrati filettati / Threaded bushings for square tubes / Gewindezapfen f. Vierkant-Rohr



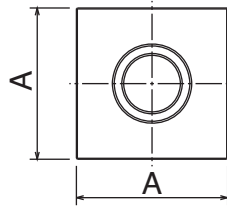
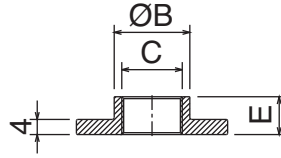
Part	Article-Nr.	A	B	C	D
416	41601	25	1,5	M10	30
416	41602			M12	30
416	41611			M10	33
416	41603		1,5	M12	33
416	41612			M14	33
416	41604			M16	33
416	41613	30		M10	33
416	41614		2	M12	33
416	41615			M14	33
416	41616			M16	33
416	41617			M10	40
416	41618			M12	40
416	41619		1,5	M14	40
416	41620			M16	40
416	41621			M20	40
416	41622	35		M10	40
416	41623			M12	40
416	41624		2	M14	40
416	41625			M16	40
416	41626			M20	40
416	41681			M10	43
416	41682			M12	43
416	41683		1,6	M14	43
416	41684			M16	43
416	41685	38,1		M20	43
416	41686			M10	43
416	41687			M12	43
416	41688		3	M14	43
416	41689			M16	43
416	41690			M20	43
416	41627			M10	43
416	41628			M12	43
416	41629		1,2	M14	43
416	41630			M16	43
416	41631			M20	43
416	41632			M10	43
416	41605			M12	43
416	41633		1,5	M14	43
416	41606			M16	43
416	41634	40		M20	43
416	41635			M10	43
416	41636			M12	43
416	41637		2	M14	43
416	41607			M16	43
416	41608			M20	43
416	41638			M10	43
416	41639			M12	43
416	41640		2,5	M14	43
416	41641			M16	43
416	41642			M20	43

Part	Article-Nr.	A	B	C	D
416	41643			M10	45
416	41644			M12	45
416	41645	45	2	M14	45
416	41646			M16	45
416	41647			M20	45
416	41648			M10	50
416	41649			M12	50
416	41650		1,2	M14	50
416	41651			M16	50
416	41652			M20	50
416	41653			M10	50
416	41654			M12	50
416	41655		1,5	M14	50
416	41656			M16	50
416	41657			M20	50
416	41658			M10	50
416	41659			M12	50
416	41660	50	2	M14	50
416	41609			M16	50
416	41610			M20	50
416	41661			M10	50
416	41662			M12	50
416	41663		2,5	M14	50
416	41664			M16	50
416	41665			M20	50
416	41666			M10	50
416	41667			M12	50
416	41668		3	M14	50
416	41669			M16	50
416	41670			M20	50
416	41671			M10	55
416	41672			M12	55
416	41673		2	M14	55
416	41674			M16	55
416	41675			M20	55
416	41676	60		M10	55
416	41677			M12	55
416	41678		3	M14	55
416	41679			M16	55
416	41680			M20	55





**Tappi quadri filettati / Threaded bushings for square tube / Gewindezapfen f. Vierkant-Rohr**

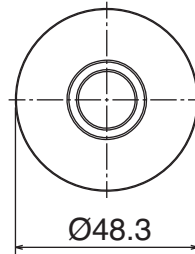
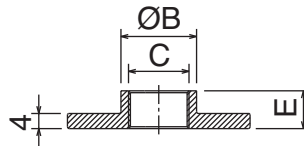


Part	Article-Nr.	A	C	ØB	E
428	42801	40	M16	20	10
428	42802	40	M20	23	11,5
428	42803	45	M16	20	10
428	42804	45	M20	23	11,5
428	42805	50	M16	20	10
428	42806	50	M20	23	11,5
428	42807	60	M16	20	10
428	42808	60	M20	23	11,5

**Stainless steel  
 AISI 304**



**Tappi tondi filettati / Threaded bushings for round tube / Gewindezapfen f. Rund-Rohr**

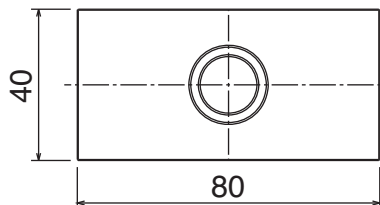
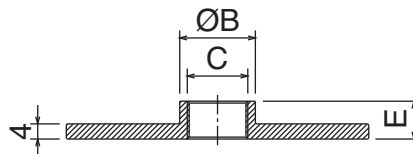


Part	Article-Nr.	C	ØB	E
429	42901	M16	20	10
429	42902	M20	23	11,5

**Stainless steel  
 AISI 304**



**Tappi rettangolari filettati / Threaded bushings for rectangular tube / Gewindezapfen f. Rechteck**



Part	Article-Nr.	C	ØB	E
430	43001	M16	20	10
430	43002	M20	23	11,5

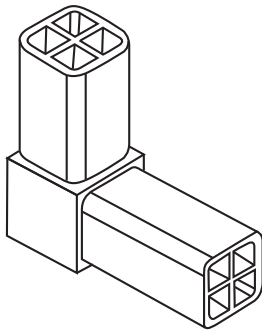
**Stainless steel  
 AISI 304**

<b>Materiale:</b>	<b>Material:</b>	<b>Materialien:</b>
Poliamide	Polyamide	Polyamid

Giunto di collegamento / Connecting joint / Verbindungselement

Part	Article-Nr.	Type
418	41801	A
418	41802	B
418	41803	C
418	41804	D
418	41805	E
418	41806	F
418	41807	G
418	41808	H

For tubes  
25x25x1,5 mm



Type A



Type B



Type C



Type D



Type E



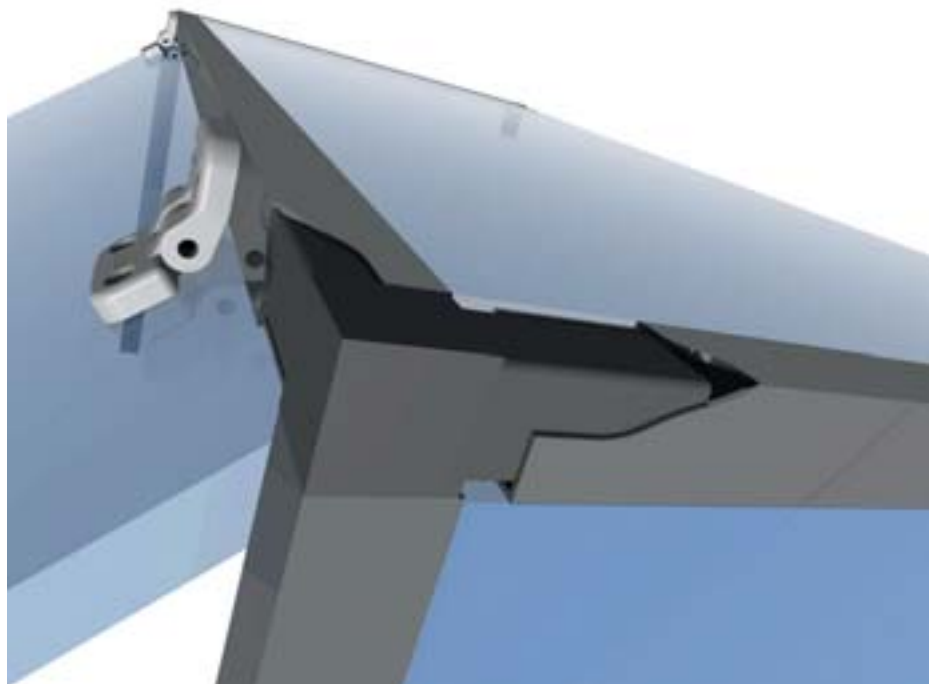
Type F



Type G



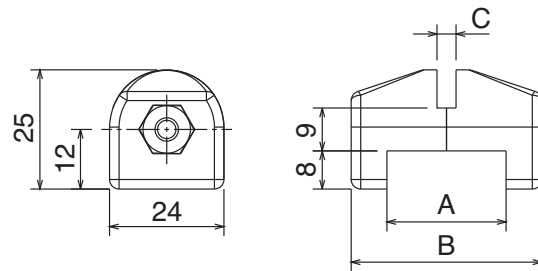
Type H



Materiale:	Material:	Materialien:
Poliammide	Polyamide	Polyamid



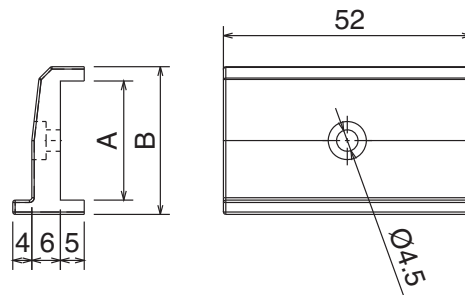
### Blocco per pannelli / Panel clamp / Panelklemme



Part	Article-Nr.	A	B	C
421	42101	25	40	4
421	42102	25	40	5
421	42103	25	40	6
421	42104	30	45	4
421	42105	30	45	5
421	42106	30	45	6



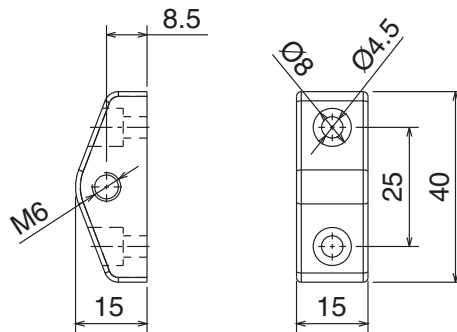
### Fermaporta / Door stop / Türstopper



Part	Article-Nr.	A	B
422	42201	25	31
422	42202	30	36



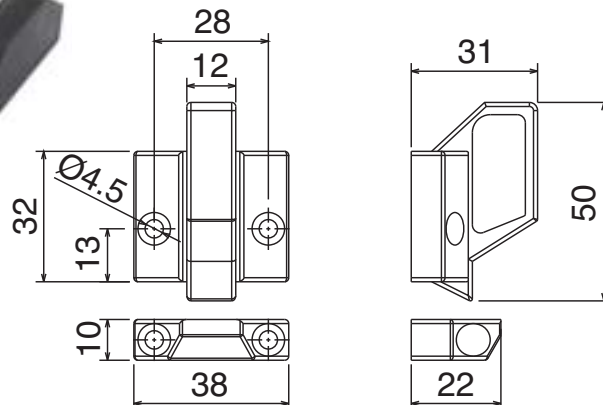
### Blocchetto di fissaggio / Fixing lock / Anschlag



Part	Article-Nr.
423	42301



### Fermaporta a molla / Spring loaded latch / Türverschluss



Part	Article-Nr.
424	42401

**UCFL Series**



**UCF Series**



**UCF-H / UCFL-H Series**



**FL / F / FB Series**



**SUCFL / SUCF / SUCFK Series**





### COMPONENTI

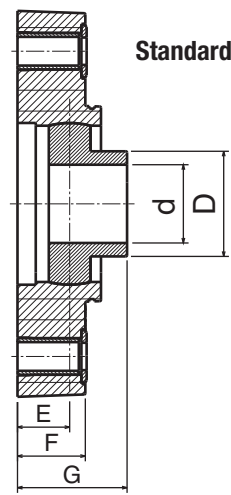
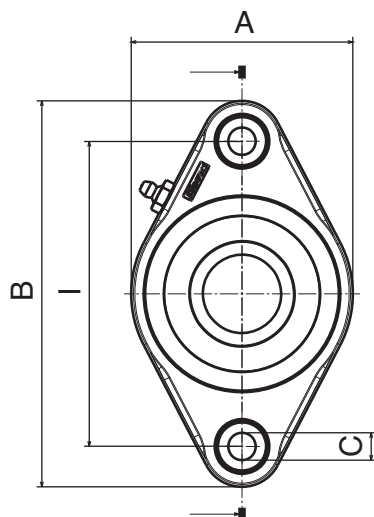
- Sede in poliammide rinforzato, con elevata resistenza meccanica e ottima resistenza contro agenti chimici corrosivi quali acqua, oli, benzina e liquidi contenenti alcool. Tutti i nostri cuscinetti possono essere utilizzati ad una temperatura compresa fra 0°C e +80°C
- I cuscinetti sono realizzati in acciaio al cromo, disponibili anche, su richiesta, nella versione in acciaio inox. Il cuscinetto all'interno della flangia può essere regolato di 2,5°.
- L'ingrassatore viene realizzato in ferro nichelato, o in acciaio inox nella versione con il cuscinetto in acciaio inox.
- Distanziali realizzati in ottone nichelato per rinforzare il foro di fissaggio
- Rondella in acciaio inox.

### COMPONENTS

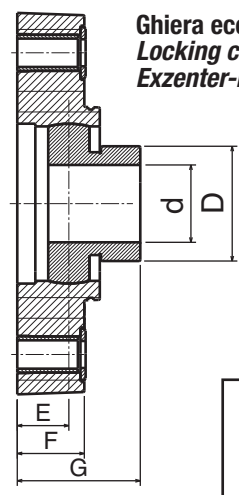
- *Housing in reinforced polyamide, with higher load capacity and good resistance to corrosive chemicals such as water, oils, petrol and alcoholic beverages. All our bearings can be used at temperatures between 0°C and +80°C.*
- *Ball bearings are made in chrome steel. They are also available, upon request, in stainless steel. Max misalignment between shaft and housing: 2.5°.*
- *Grease nipple are made in nickel plated steel, but they can also be made in stainless steel on the stainless steel bearing.*
- *Spacers from nickel plated brass to reinforce fixing holes.*
- *Washer stainless steel.*

### KOMPONENTEN

- *Gehäuse gefertigt aus verstärktem Polyamid. Dies gewährleistet eine gute Widerstandsfähigkeit gegenüber mechanischen Einflüssen und eine gute Korrosionsbeständigkeit gegenüber Wasser, Ölen, Benzin, Flüssigkeiten mit Alkohol und Chemikalien. Alle unsere Gehäuse-Lagereinheiten können in einem Temperaturbereich von 0°C bis +80°C eingesetzt werden.*
- *Die Lagereinsätze sind aus Chrom-Stahl, auf Anfrage auch in Edelstahl erhältlich. Alle Lager gleichen einen Fluchtungsfehler von bis zu 2,5° selbstständig aus.*
- *Die Schmiernippel sind aus vernickeltem Stahl (aus Edelstahl wenn die Ausführung mit Edelstahl Einsatz gefragt ist).*
- *Alle Distanzstücke sind aus vernickeltem Messing und verstärken die Befestigungsbohrungen*
- *Alle Unterlegscheiben aus Edelstahl.*



Standard



Ghiera eccentrica  
Locking collar  
Exzenter-Klemmring



Safety Cap

Inserto standard / Standard insert / Standard-Flanschlager

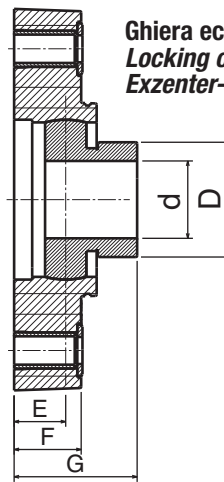
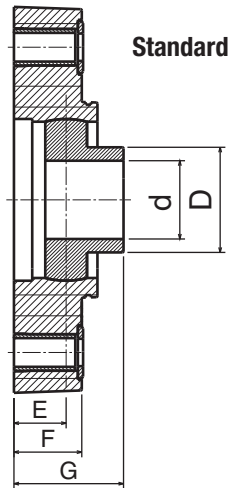
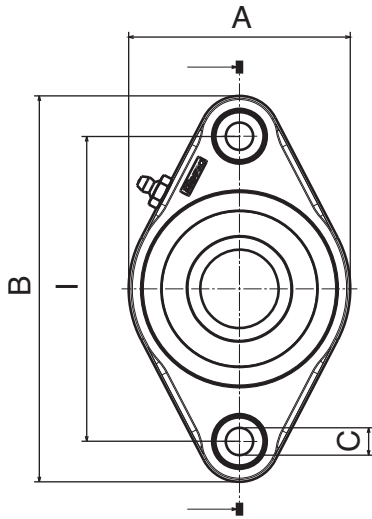
Part	Article-Nr.	Series	d	l	A	B	C	D	E	F	G	Article-Nr.
												89004
801	80110	UCFL204	20	90	62	116	11	29	16	20	34	89004
801	80100	UCFL204	20	90	71	130	11	29	17,5	22,5	33,5	89001
801	80121	UCFL205/90	25	90	85	116	11	34	14,5	20	34	89005
801	80101	UCFL205/90	25	90	71	130	11	34	16,8	22,5	36,3	89001
801	80111	UCFL205	25	99	71	130	11	34	16,8	22,5	36,3	89001
801	80122	UCFL206/90	30	90	85	116	11	40,3	14,5	20	36,5	89005
801	80132	UCFL206/99	30	99	85	130	11	40,3	20	26	42	89002
801	80102	UCFL206/99	30	99	85	148	11	40,3	20	26	42	89002
801	80112	UCFL206	30	117	85	148	11	40,3	20	26	42	89002
801	80103	UCFL207/117	35	117	93	148	11	48	19,5	26	43	89003
801	80113	UCFL207	35	130	93	162	11	48	19,5	26	43	89003
801	80104	UCFL208/117	40	117	93	148	11	53	19	26	44	89003
801	80114	UCFL208	40	130	93	162	11	53	19	26	44	89003

Inserto standard / Standard insert / Standard-Flanschlager

Part	Article-Nr.	Series	d	l	A	B	C	D	E	F	G	Article-Nr.
												89004
801	80110SS	UCFL204	20	90	62	116	11	29	16	20	34	89004
801	80100SS	UCFL204	20	90	71	130	11	29	17,5	22,5	33,5	89001
801	80121SS	UCFL205/90	25	90	85	116	11	34	14,5	20	34	89005
801	80101SS	UCFL205/90	25	90	71	130	11	34	16,8	22,5	36,3	89001
801	80111SS	UCFL205	25	99	71	130	11	34	16,8	22,5	36,3	89001
801	80122SS	UCFL206/90	30	90	85	116	11	40,3	14,5	20	36,5	89005
801	80132SS	UCFL206/99	30	99	85	130	11	40,3	20	26	42	89002
801	80102SS	UCFL206/99	30	99	85	148	11	40,3	20	26	42	89002
801	80112SS	UCFL206	30	117	85	148	11	40,3	20	26	42	89002
801	80103SS	UCFL207/117	35	117	93	148	11	48	19,5	26	43	89003
801	80113SS	UCFL207	35	130	93	162	11	48	19,5	26	43	89003
801	80104SS	UCFL208/117	40	117	93	148	11	53	19	26	44	89003
801	80114SS	UCFL208	40	130	93	162	11	53	19	26	44	89003

Inserto con ghiera eccentrica / Insert with locking collar / Flanschlager mit Exzenter-Klemmring

Part	Article-Nr.	Series	d	l	A	B	C	D	E	F	G	Article-Nr.
												89004
802	80210	UCFL204	20	90	62	116	11	33,3	16	20	39,9	89004
802	80200	UCFL204	20	90	71	130	11	33,3	17,5	22,5	41,4	89001
802	80221	UCFL205/90	25	90	85	116	11	38,1	14,5	20	37,9	89005
802	80201	UCFL205/90	25	90	71	130	11	38,1	16,8	22,5	40,2	89001
802	80211	UCFL205	25	99	71	130	11	38,1	16,8	22,5	40,2	89001
802	80222	UCFL206/90	30	90	85	116	11	44,5	14,5	20	42,2	89005
802	80232	UCFL206/99	30	99	85	130	11	44,5	20	26	47,7	89002
802	80202	UCFL206/99	30	99	85	148	11	44,5	20	26	47,7	89002
802	80212	UCFL206	30	117	85	148	11	44,5	20	26	47,7	89002
802	80203	UCFL207/117	35	117	93	148	11	55,6	19,5	26	49,9	89003
802	80213	UCFL207	35	130	93	162	11	55,6	19,5	26	49,9	89003
802	80204	UCFL208/117	40	117	93	148	11	60,3	19	26	53,7	89003
802	80214	UCFL208	40	130	93	162	11	60,3	19	26	53,7	89003



**Solid Housing**



Safety Cap

**NEW**

**Inserto standard / Standard insert / Standard-Flanschlager**

	Part	Article-Nr.	Series	d	I	A	B	C	D	E	F	G	Article-Nr.
Chrome steel	822	82210	UCFL204	20	90	62	116	11	29	16	20	34	89004
	822	82211	UCFL205	25	99	71	130	11	34	16,8	22,5	36,3	89001
	822	82212	UCFL206	30	117	85	148	11	40,3	20	26	42	89002
	822	82213	UCFL207	35	130	93	162	11	48	19,5	26	43	89003
	822	82204	UCFL208/117	40	117	93	148	11	53	19	26	44	89003

**NEW**

**Inserto standard / Standard insert / Standard-Flanschlager**

	Part	Article-Nr.	Series	d	I	A	B	C	D	E	F	G	Article-Nr.
Stainless steel	822	82210SS	UCFL204	20	90	62	116	11	29	16	20	34	89004
	822	82211SS	UCFL205	25	99	71	130	11	34	16,8	22,5	36,3	89001
	822	82212SS	UCFL206	30	117	85	148	11	40,3	20	26	42	89002
	822	82213SS	UCFL207	35	130	93	162	11	48	19,5	26	43	89003
	822	82204SS	UCFL208/117	40	117	93	148	11	53	19	26	44	89003

**NEW**

**Inserto con ghiera eccentrica / Insert with locking collar / Flanschlager mit Exzenter-Klemmring**

	Part	Article-Nr.	Series	d	I	A	B	C	D	E	F	G	Article-Nr.
Chrome steel	823	82310	UCFL204	20	90	62	116	11	33,3	16	20	39,9	89004
	823	82311	UCFL205	25	99	71	130	11	38,1	16,8	22,5	40,2	89001
	823	82312	UCFL206	30	117	85	148	11	44,5	20	26	47,7	89002
	823	82313	UCFL207	35	130	93	162	11	55,6	19,5	26	49,9	89003
	822	82304	UCFL208/117	40	117	93	148	11	60,3	19	26	53,7	89003





## COMPONENTI

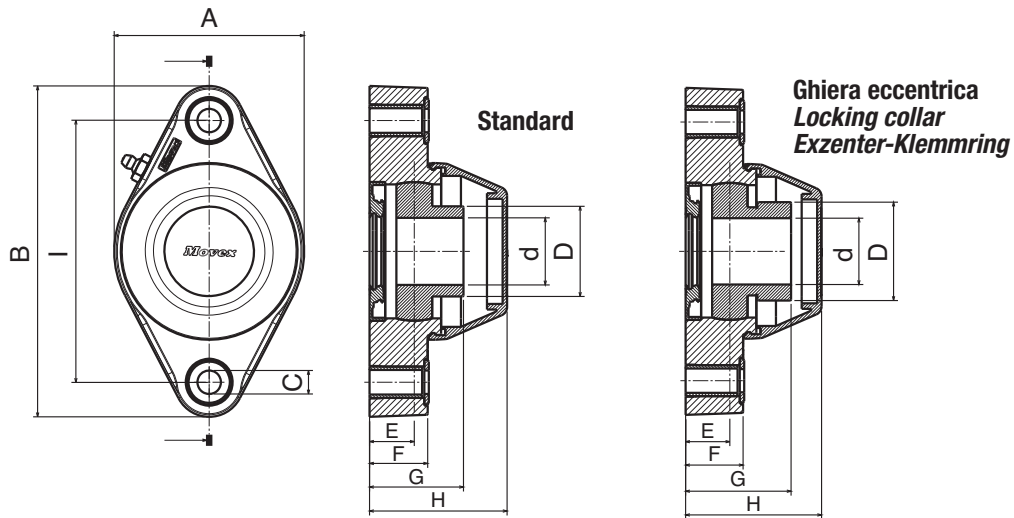
- Sede in poliammide rinforzato, con elevata resistenza meccanica e ottima resistenza contro agenti chimici corrosivi quali acqua, oli, benzina e liquidi contenenti alcool. Tutti i nostri cuscinetti possono essere utilizzati ad una temperatura compresa fra 0°C e +80°C.
- I cuscinetti sono realizzati in acciaio al cromo, disponibili anche, su richiesta, nella versione in acciaio inox. Il cuscinetto all'interno della flangia può essere regolato di 2,5°.
- L'ingrassatore viene realizzato in ferro nichelato, o in acciaio inox nella versione con il cuscinetto in acciaio inox.
- Distanziali realizzati in ottone nichelato per rinforzare il foro di fissaggio.
- Rondella in acciaio inox.
- Coperchio di sicurezza in PP.
- Anello di tenuta in gomma NBR.
- O-ring in NBR rubber.

## COMPONENTS

- *Housing in reinforced polyamide, with higher load capacity and good resistance to corrosive chemicals such as water, oils, petrol and alcoholic beverages. All our bearings can be used at temperatures between 0°C and +80°C.*
- *Ball bearings are made in chrome steel. They are also available, upon request, in stainless steel. Max misalignment between shaft and housing: 2.5°.*
- *Grease nipple are made in nickel plated steel, but they can also be made in stainless steel on the stainless steel bearing.*
- *Spacers from nickel plated brass to reinforce fixing holes.*
- *Washer stainless steel.*
- *Clip-on safety cap in PP.*
- *Rotary shaft seal ring in NBR rubber.*
- *O-ring in NBR rubber.*

## KOMPONENTEN

- *Gehäuse gefertigt aus verstärktem Polyamid. Dies gewährleistet eine gute Widerstandsfähigkeit gegenüber mechanischen Einflüssen und eine gute Korrosionsbeständigkeit gegenüber Wasser, Ölen, Benzin, Flüssigkeiten mit Alkohol und Chemikalien. Alle unsere Gehäuse-Lagereinheiten können in einem Temperaturbereich von 0°C bis +80°C eingesetzt werden.*
- *Die Lagereinsätze sind aus Chrom-Stahl, auf Anfrage auch in Edelstahl erhältlich. Alle Lager gleichen eine Fluchtungsfehler von bis zu 2,5° selbstständig aus.*
- *Die Schmiernippel sind aus vernickeltem Stahl (aus Edelstahl wenn die Ausführung mit Edelstahl Einsatz gefragt ist).*
- *Alle Distanzstücke sind aus vernickeltem Messing und verstärken die Befestigungsbohrungen*
- *Alle Unterlegscheiben aus Edelstahl.*
- *Schutzkappe aus PP*
- *Dichtringe aus NBR-Gummi*
- *O-Ringe aus NBR-Gummi*



Inserto standard, con guarnizioni, versione aperta e chiusa / Standard insert, sealed, open and close version / Standard-Flanschlager, abgedichtet, offene und geschlossene Version

	Part	Art-close	Part	Art-open	Series	d	l	A	B	C	D	E	F	G	H
Chrome steel	803	80310	804	80410	UCFL204	20	90	62	116	11	29	16	20	34	51,5
	803	80300	804	80400	UCFL204	20	90	71	130	11	29	17,5	22,5	35,5	52
	803	80321	804	80421	UCFL205/90	25	90	85	116	11	34	14,5	20	34	55,5
	803	80301	804	80401	UCFL205/90	25	90	71	130	11	34	16,8	22,5	36,3	52
	803	80311	804	80411	UCFL205	25	99	71	130	11	34	16,8	22,5	36,3	52
	803	80322	804	80422	UCFL206/90	30	90	85	116	11	40,3	14,5	20	36,5	55,5
	803	80332	804	80432	UCFL206/99	30	99	85	130	11	40,3	20	26	42	61,5
	803	80302	804	80402	UCFL206/99	30	99	85	148	11	40,3	20	26	42	61,5
	803	80312	804	80412	UCFL206	30	117	85	148	11	40,3	20	26	42	61,5
	803	80303	804	80403	UCFL207/117	35	117	93	148	11	48	19,5	26	43	66,5
	803	80313	804	80413	UCFL207	35	130	93	162	11	48	19,5	26	43	66,5
	803	80304	804	80404	UCFL208/117	40	117	93	148	11	53	19	26	44	66,5
	803	80314	804	80414	UCFL208	40	130	93	162	11	53	19	26	44	66,5

Inserto standard, con guarnizioni, versione aperta e chiusa / Standard insert, sealed, open and close version / Standard-Flanschlager, abgedichtet, offene und geschlossene Version

	Part	Art-close	Part	Art-open	Series	d	l	A	B	C	D	E	F	G	H
NEW Stainless steel	803	80310SS	804	80410SS	UCFL204	20	90	62	116	11	29	16	20	34	51,5
	803	80300SS	804	80400SS	UCFL204	20	90	71	130	11	29	17,5	22,5	35,5	52
	803	80321SS	804	80421SS	UCFL205/90	25	90	85	116	11	34	14,5	20	34	55,5
	803	80301SS	804	80401SS	UCFL205/90	25	90	71	130	11	34	16,8	22,5	36,3	52
	803	80311SS	804	80411SS	UCFL205	25	99	71	130	11	34	16,8	22,5	36,3	52
	803	80322SS	804	80422SS	UCFL206/90	30	90	85	116	11	40,3	14,5	20	36,5	55,5
	803	80332SS	804	80432SS	UCFL206/99	30	99	85	130	11	40,3	20	26	42	61,5
	803	80302SS	804	80402SS	UCFL206/99	30	99	85	148	11	40,3	20	26	42	61,5
	803	80312SS	804	80412SS	UCFL206	30	117	85	148	11	40,3	20	26	42	61,5
	803	80303SS	804	80403SS	UCFL207/117	35	117	93	148	11	48	19,5	26	43	66,5
	803	80313SS	804	80413SS	UCFL207	35	130	93	162	11	48	19,5	26	43	66,5
	803	80304SS	804	80404SS	UCFL208/117	40	117	93	148	11	53	19	26	44	66,5
	803	80314SS	804	80414SS	UCFL208	40	130	93	162	11	53	19	26	44	66,5

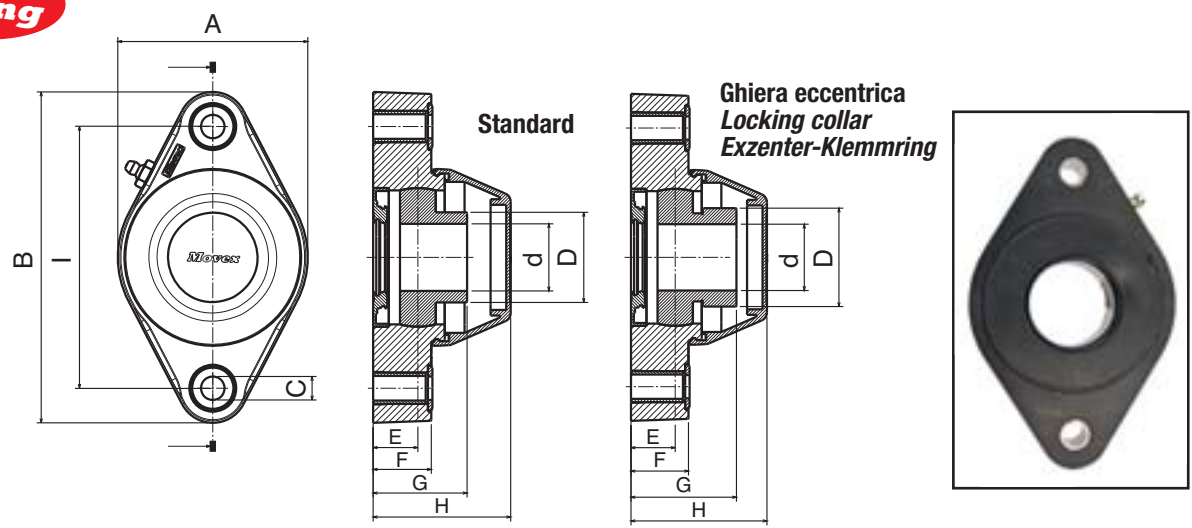
Inserto "long life", con guarnizioni, versione aperta e chiusa / "Long life" insert, sealed, open and close version / "Long Life"-Flanschlager, abgedichtet, offene und geschlossene Version

	Part	Art-close	Part	Art-open	Series	d	l	A	B	C	D	E	F	G	H
NEW Chrome steel - "Long life"	803	80310L	804	80410L	UCFL204	20	90	62	116	11	29	16	20	34	51,5
	803	80300L	804	80400L	UCFL204	20	90	71	130	11	29	17,5	22,5	35,5	52
	803	80321L	804	80421L	UCFL205/90	25	90	85	116	11	34	14,5	20	34	55,5
	803	80301L	804	80401L	UCFL205/90	25	90	71	130	11	34	16,8	22,5	36,3	52
	803	80311L	804	80411L	UCFL205	25	99	71	130	11	34	16,8	22,5	36,3	52
	803	80322L	804	80422L	UCFL206/90	30	90	85	116	11	40,3	14,5	20	36,5	55,5
	803	80332L	804	80432L	UCFL206/99	30	99	85	130	11	40,3	20	26	42	61,5
	803	80302L	804	80402L	UCFL206/99	30	99	85	148	11	40,3	20	26	42	61,5
	803	80312L	804	80412L	UCFL206	30	117	85	148	11	40,3	20	26	42	61,5
	803	80303L	804	80403L	UCFL207/117	35	117	93	148	11	48	19,5	26	43	66,5
	803	80313L	804	80413L	UCFL207	35	130	93	162	11	48	19,5	26	43	66,5
	803	80304L	804	80404L	UCFL208/117	40	117	93	148	11	53	19	26	44	66,5
	803	80314L	804	80414L	UCFL208	40	130	93	162	11	53	19	26	44	66,5

Inserto con ghiera eccentrica, guarnizioni, versione aperta e chiusa / Insert with locking collar, sealed, open and close version / Flanschlager mit Exzenter-Klemmring, abgedichtet, offene und geschlossene Version

	Part	Art-close	Part	Art-open	Series	d	l	A	B	C	D	E	F	G	H
Chrome steel	805	80510	806	80610	UCFL204	20	90	62	116	11	33,3	16	20	39,9	51,5
	805	80500	806	80600	UCFL204	20	90	71	130	11	33,3	17,5	22,5	41,4	52
	805	80521	806	80621	UCFL205/90	25	90	85	116	11	38,1	14,5	20	37,9	55,5
	805	80501	806	80601	UCFL205/90	25	90	71	130	11	38,1	16,8	22,5	40,2	52
	805	80511	806	80611	UCFL205	25	99	71	130	11	38,1	16,8	22,5	40,2	52
	805	80522	806	80622	UCFL206/90	30	90	85	116	11	44,5	14,5	20	42,2	55,5
	805	80532	806	80632	UCFL206/99	30	99	85	130	11	44,5	20	26	47,7	61,5
	805	80502	806	80602	UCFL206/99	30	99	85	148	11	44,5	20	26	47,7	61,5
	805	80512	806	80612	UCFL206	30	117	85	148	11	44,5	20	26	47,7	61,5
	805	80503	806	80603	UCFL207/117	35	117	93	148	11	55,6	19,5	26	49,9	66,5
	805	80513	806	80613	UCFL207	35	130	93	162	11	55,6	19,5	26	49,9	66,5
	805	80504	806	80604	UCFL208/117	40	117	93	148	11	60,3	19	26	53,7	66,5
	805	80514	806	80614	UCFL208	40	130	93	162	11	60,3	19	26	53,7	66,5

**Solid Housing**



**NEW**

Insero standard, con guarnizioni, versione aperta e chiusa / Standard insert, sealed, open and close version / Standard-Flanschlager, abgedichtet, offene und geschlossene Version

	Part	Art-close	Part	Art-open	Series	d	l	A	B	C	D	E	F	G	H
Chrome steel	824	82410	825	82510	UCFL204	20	90	62	116	11	29	16	20	34	51,5
	824	82411	825	82511	UCFL205	25	99	71	130	11	34	16,8	22,5	36,3	52
	824	82412	825	82512	UCFL206	30	117	85	148	11	40,3	20	26	42	61,5
	824	82413	825	82513	UCFL207	35	130	93	162	11	48	19,5	26	43	66,5
	824	82404	825	82504	UCFL208/117	40	117	93	148	11	53	19	26	44	66,5

**NEW**

Insero standard, con guarnizioni, versione aperta e chiusa / Standard insert, sealed, open and close version / Standard-Flanschlager, abgedichtet, offene und geschlossene Version

	Part	Art-close	Part	Art-open	Series	d	l	A	B	C	D	E	F	G	H
Stainless steel	824	82410SS	825	82510SS	UCFL204	20	90	62	116	11	29	16	20	34	51,5
	824	82411SS	825	82511SS	UCFL205	25	99	71	130	11	34	16,8	22,5	36,3	52
	824	82412SS	825	82512SS	UCFL206	30	117	85	148	11	40,3	20	26	42	61,5
	824	82413SS	825	82513SS	UCFL207	35	130	93	162	11	48	19,5	26	43	66,5
	824	82404SS	825	82504SS	UCFL208/117	40	117	93	148	11	53	19	26	44	66,5

**NEW**

Insero "long life", con guarnizioni, versione aperta e chiusa / "Long life" insert, sealed, open and close version / "Long Life"-Flanschlager, abgedichtet, offene und geschlossene Version

	Part	Art-close	Part	Art-open	Series	d	l	A	B	C	D	E	F	G	H
Chrome steel	824	82410L	825	82510L	UCFL204	20	90	62	116	11	29	16	20	34	51,5
	824	82411L	825	82511L	UCFL205	25	99	71	130	11	34	16,8	22,5	36,3	52
	824	82412L	825	82512L	UCFL206	30	117	85	148	11	40,3	20	26	42	61,5
	824	82413L	825	82513L	UCFL207	35	130	93	162	11	48	19,5	26	43	66,5
	824	82404L	825	82504L	UCFL208/117	40	117	93	148	11	53	19	26	44	66,5

**NEW**

Insero con ghiera eccentrica, guarnizioni, versione aperta e chiusa / Insert with locking collar, sealed, open and close version / Flanschlager mit Exzenter-Klemmring, abgedichtet, offene und geschlossene Version

	Part	Art-close	Part	Art-open	Series	d	l	A	B	C	D	E	F	G	H
Chrome steel	826	82610	827	82710	UCFL204	20	90	62	116	11	33,3	16	20	39,9	51,5
	826	82611	827	82711	UCFL205	25	99	71	130	11	38,1	16,8	22,5	40,2	52
	826	82612	827	82712	UCFL206	30	117	85	148	11	44,5	20	26	47,7	61,5
	826	82613	827	82713	UCFL207	35	130	93	162	11	55,6	19,5	26	49,9	66,5
	826	82604	827	82704	UCFL208/117	40	117	93	148	11	60,3	19	26	53,7	66,5



### COMPONENTI

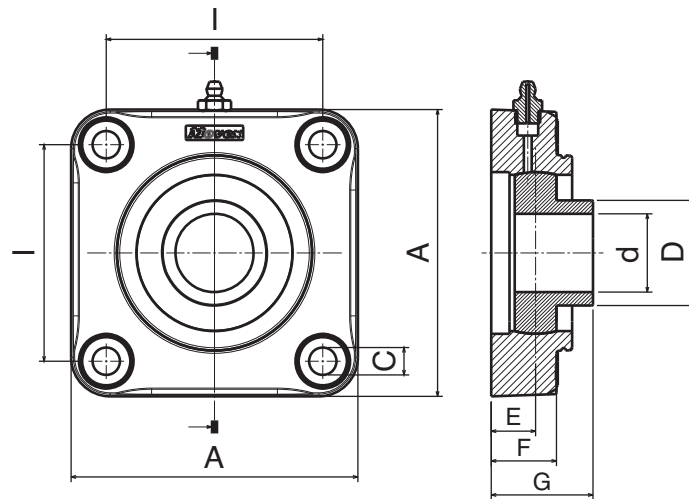
- Sede in poliammide rinforzato, con elevata resistenza meccanica e ottima resistenza contro agenti chimici corrosivi quali acqua, oli, benzina e liquidi contenenti alcool. Tutti i nostri cuscinetti possono essere utilizzati ad una temperatura compresa fra 0°C e +80°C
- I cuscinetti sono realizzati in acciaio al cromo, disponibili anche, su richiesta, nella versione in acciaio inox. Il cuscinetto all'interno della flangia può essere regolato di 2,5°.
- L'ingrassatore viene realizzato in ferro nichelato, o in acciaio inox nella versione con il cuscinetto in acciaio inox.
- Distanziali realizzati in ottone nichelato per rinforzare il foro di fissaggio
- Rondella in acciaio inox.

### COMPONENTS

- *Housing in reinforced polyamide, with higher load capacity and good resistance to corrosive chemicals such as water, oils, petrol and alcoholic beverages. All our bearings can be used at temperatures between 0°C and +80°C.*
- *Ball bearings are made in chrome steel. They are also available, upon request, in stainless steel. Max misalignment between shaft and housing: 2.5°.*
- *Grease nipple are made in nickel plated steel, but they can also be made in stainless steel on the stainless steel bearing.*
- *Spacers from nickel plated brass to reinforce fixing holes.*
- *Washer stainless steel.*

### KOMPONENTEN

- *Gehäuse gefertigt aus verstärktem Polyamid. Dies gewährleistet eine gute Widerstandsfähigkeit gegenüber mechanischen Einflüssen und eine gute Korrosionsbeständigkeit gegenüber Wasser, Ölen, Benzin, Flüssigkeiten mit Alkohol und Chemikalien. Alle unsere Gehäuse-Lagereinheiten können in einem Temperaturbereich von 0°C bis +80°C eingesetzt werden.*
- *Die Lagereinsätze sind aus Chrom-Stahl, auf Anfrage auch in Edelstahl erhältlich. Alle Lager gleichen einen Fluchtungsfehler von bis zu 2,5° selbstständig aus.*
- *Die Schmiernippel sind aus vernickeltem Stahl (aus Edelstahl wenn die Ausführung mit Edelstahl Einsatz gefragt ist).*
- *Alle Distanzstücke sind aus vernickeltem Messing und verstärken die Befestigungsbohrungen*
- *Alle Unterlegscheiben aus Edelstahl.*



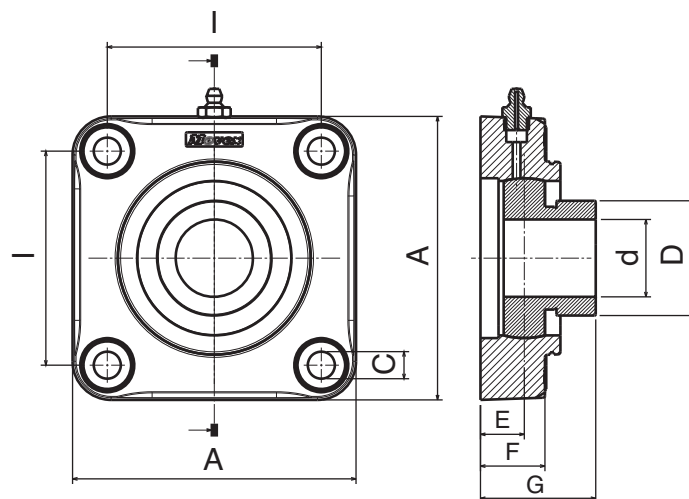
Safety Cap

Inserto standard / Standard insert / Standard-Flanschlager

Chrome steel	Part	Article-Nr.	Series	d	I	A	C	D	E	F	G	Article-Nr.
	807	80701	UCF205	25	70	98	11	34	16	22	35,5	89001
	807	80702	UCF206	30	83	110	11	40,3	17	25	39	89002
	807	80703	UCF207/83	35	83	110	11	48	20	25	43,5	89003
	807	80713	UCF207	35	92	118	11	48	20	25	43,5	89003
	807	80704	UCF208/83	40	83	110	11	53	19,5	25	44,5	89003
	807	80714	UCF208	40	102	130	11	53	19	25	44	89003

Inserto standard / Standard insert / Standard-Flanschlager

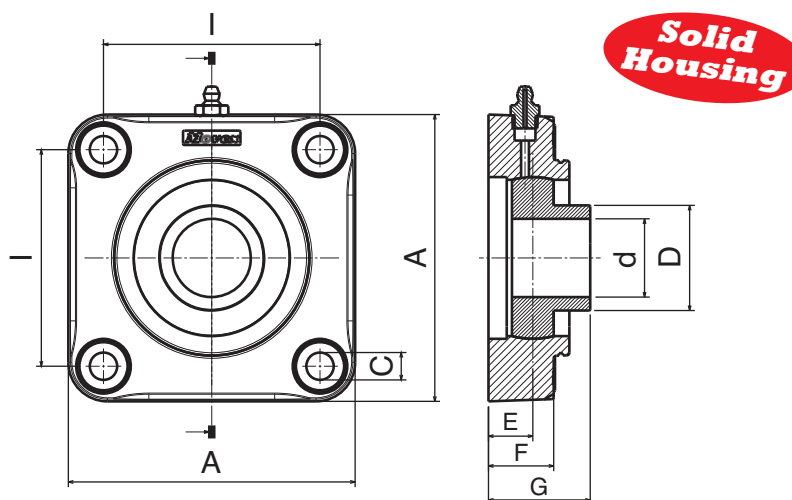
Stainless steel	Part	Article-Nr.	Series	d	I	A	C	D	E	F	G	Article-Nr.
	807	80701SS	UCF205	25	70	98	11	34	16	22	35,5	89001
	807	80702SS	UCF206	30	83	110	11	40,3	17	25	39	89002
	807	80703SS	UCF207/83	35	83	110	11	48	20	25	43,5	89003
	807	80713SS	UCF207	35	92	118	11	48	20	25	43,5	89003
	807	80704SS	UCF208/83	40	83	110	11	53	19,5	25	44,5	89003
	807	80714SS	UCF208	40	102	130	11	53	19	25	44	89003



Safety Cap

Inserto con ghiera eccentrica / Insert with locking collar / Flanschlager mit Exzenter-Klemmring

Chrome steel	Part	Article-Nr.	Series0	d	I	A	C	D	E	F	G	Article-Nr.
	808	80801	UCF205	25	70	98	11	38,1	16	22	39,4	89001
	808	80802	UCF206	30	83	110	11	44,5	17	25	44,7	89002
	808	80803	UCF207/83	35	83	110	11	55,6	20	25	50,4	89003
	808	80813	UCF207	35	92	118	11	55,6	20	25	50,4	89003
	808	80804	UCF208/83	40	83	110	11	60,3	19,5	25	54,2	89003
	808	80814	UCF208	40	102	130	11	60,3	19	25	53,7	89003



**NEW**

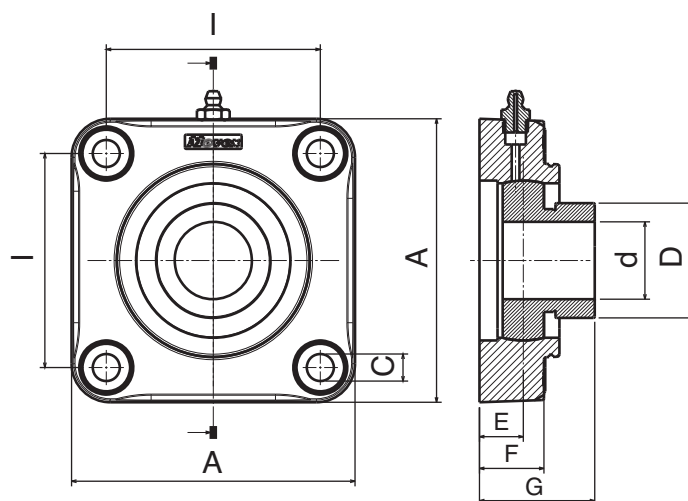
*Inserto standard / Standard insert / Standard-Flanschlager*

Chrome steel	Part	Article-Nr.	Series	d	I	A	C	D	E	F	G	Article-Nr.
	828	82801	UCF205	25	70	98	11	34	16	22	35,5	89001
	828	82802	UCF206	30	83	110	11	40,3	17	25	39	89002
	828	82813	UCF207	35	92	118	11	48	20	25	43,5	89003
	828	82804	UCF208/83	40	83	110	11	53	19,5	25	44,5	89003

**NEW**

*Inserto standard / Standard insert / Standard-Flanschlager*

Stainless steel	Part	Article-Nr.	Series	d	I	A	C	D	E	F	G	Article-Nr.
	828	82801SS	UCF205	25	70	98	11	34	16	22	35,5	89001
	828	82802SS	UCF206	30	83	110	11	40,3	17	25	39	89002
	828	82813SS	UCF207	35	92	118	11	48	20	25	43,5	89003
	828	82804SS	UCF208/83	40	83	110	11	53	19,5	25	44,5	89003



**NEW**

*Inserto con ghiera eccentrica / Insert with locking collar / Flanschlager mit Exzenter-Klemmring*

Chrome steel	Part	Article-Nr.	Series	d	I	A	C	D	E	F	G	Article-Nr.
	829	82901	UCF205	25	70	98	11	38,1	16	22	39,4	89001
	829	82902	UCF206	30	83	110	11	44,5	17	25	44,7	89002
	829	82913	UCF207	35	92	118	11	55,6	20	25	50,4	89003
	829	82904	UCF208/83	40	83	110	11	60,3	19,5	25	54,2	89003



## COMPONENTI

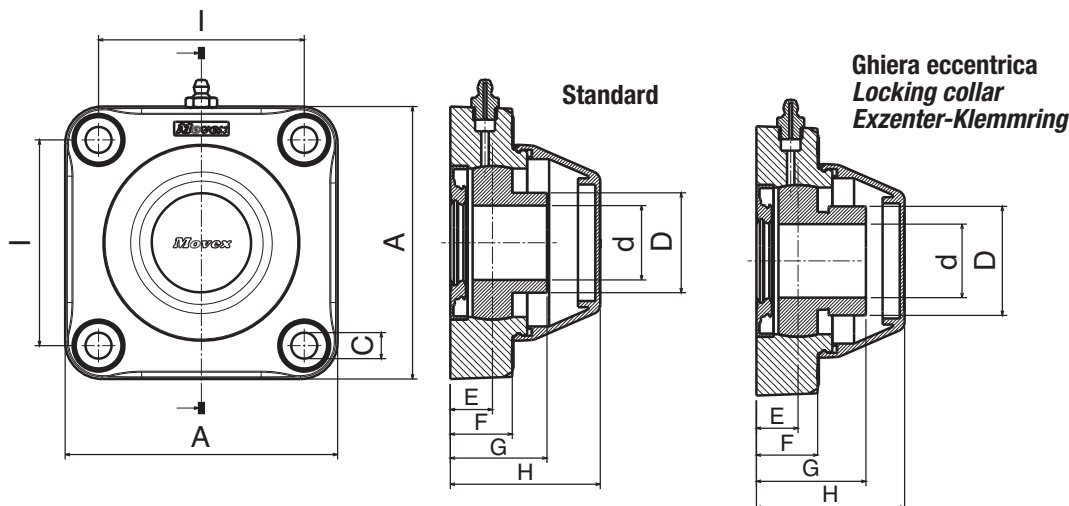
- Sede in poliammide rinforzato, con elevata resistenza meccanica e ottima resistenza contro agenti chimici corrosivi quali acqua, oli, benzina e liquidi contenenti alcool. Tutti i nostri cuscinetti possono essere utilizzati ad una temperatura compresa fra 0°C e +80°C.
- I cuscinetti sono realizzati in acciaio al cromo, disponibili anche, su richiesta, nella versione in acciaio inox. Il cuscinetto all'interno della flangia può essere regolato di 2,5°.
- L'ingrassatore viene realizzato in ferro nichelato, o in acciaio inox nella versione con il cuscinetto in acciaio inox.
- Distanziali realizzati in ottone nichelato per rinforzare il foro di fissaggio.
- Rondella in acciaio inox.
- Coperchio di sicurezza in PP.
- Anello di tenuta in gomma NBR.
- O-ring in NBR rubber.

## COMPONENTS

- *Housing in reinforced polyamide, with higher load capacity and good resistance to corrosive chemicals such as water, oils, petrol and alcoholic beverages. All our bearings can be used at temperatures between 0°C and +80°C.*
- *Ball bearings are made in chrome steel. They are also available, upon request, in stainless steel. Max misalignment between shaft and housing: 2.5°.*
- *Grease nipple are made in nickel plated steel, but they can also be made in stainless steel on the stainless steel bearing.*
- *Spacers from nickel plated brass to reinforce fixing holes.*
- *Washer stainless steel.*
- *Clip-on safety cap in PP.*
- *Rotary shaft seal ring in NBR rubber.*
- *O-ring in NBR rubber.*

## KOMPONENTEN

- *Gehäuse gefertigt aus verstärktem Polyamid. Dies gewährleistet eine gute Widerstandsfähigkeit gegenüber mechanischen Einflüssen und eine gute Korrosionsbeständigkeit gegenüber Wasser, Ölen, Benzin, Flüssigkeiten mit Alkohol und Chemikalien. Alle unsere Gehäuse-Lagereinheiten können in einem Temperaturbereich von 0°C bis +80°C eingesetzt werden.*
- *Die Lagereinsätze sind aus Chrom-Stahl, auf Anfrage auch in Edelstahl erhältlich. Alle Lager gleichen eine Fluchtungsfehler von bis zu 2,5° selbstständig aus.*
- *Die Schmiernippel sind aus vernickeltem Stahl (aus Edelstahl wenn die Ausführung mit Edelstahl Einsatz gefragt ist).*
- *Alle Distanzstücke sind aus vernickeltem Messing und verstärkten die Befestigungsbohrungen*
- *Alle Unterlegscheiben aus Edelstahl.*
- *Schutzkappe aus PP.*
- *Dichtringe aus NBR-Gummi.*
- *O-Ringe aus NBR-Gummi.*



**Inserto standard, con guarnizioni, versione aperta e chiusa / Standard insert, sealed, open and close version, Standard-Flanschlagler, abgedichtet, offene und geschlossene Version**

Chrome steel	Part	Art-close	Part	Art-open	Series	d	I	A	C	D	E	F	G	H
	809	80901	810	81001	UCF205	25	70	98	11	34	16	22	35,5	51,5
809	80902	810	81002	UCF206	30	83	110	11	40,3	17	25	39	60,5	
809	80903	810	81003	UCF207/83	35	83	110	11	48	20	25	43,5	65,5	
809	80913	810	81013	UCF207	35	92	118	11	48	20	25	43,5	65,5	
809	80904	810	81004	UCF208/83	40	83	110	11	53	19,5	25	44,5	65,5	
809	80914	810	81014	UCF208	40	102	130	11	53	19	25	44	65,5	

**Inserto standard, con guarnizioni, versione aperta e chiusa / Standard insert, sealed, open and close version, Standard-Flanschlagler, abgedichtet, offene und geschlossene Version**

Stainless steel	Part	Art-close	Part	Art-open	Series	d	I	A	C	D	E	F	G	H
	809	80901SS	810	81001SS	UCF205	25	70	98	11	34	16	22	35,5	51,5
809	80902SS	810	81002SS	UCF206	30	83	110	11	40,3	17	25	39	60,5	
809	80903SS	810	81003SS	UCF207/83	35	83	110	11	48	20	25	43,5	65,5	
809	80913SS	810	81013SS	UCF207	35	92	118	11	48	20	25	43,5	65,5	
809	80904SS	810	81004SS	UCF208/83	40	83	110	11	53	19,5	25	44,5	65,5	
809	80914SS	810	81014SS	UCF208	40	102	130	11	53	19	25	44	65,5	

**Inserto "Long life", con guarnizioni, versione aperta e chiusa / "Long life" insert, sealed, open and close version, "Long life"-Flanschlagler, abgedichtet, offene und geschlossene Version**

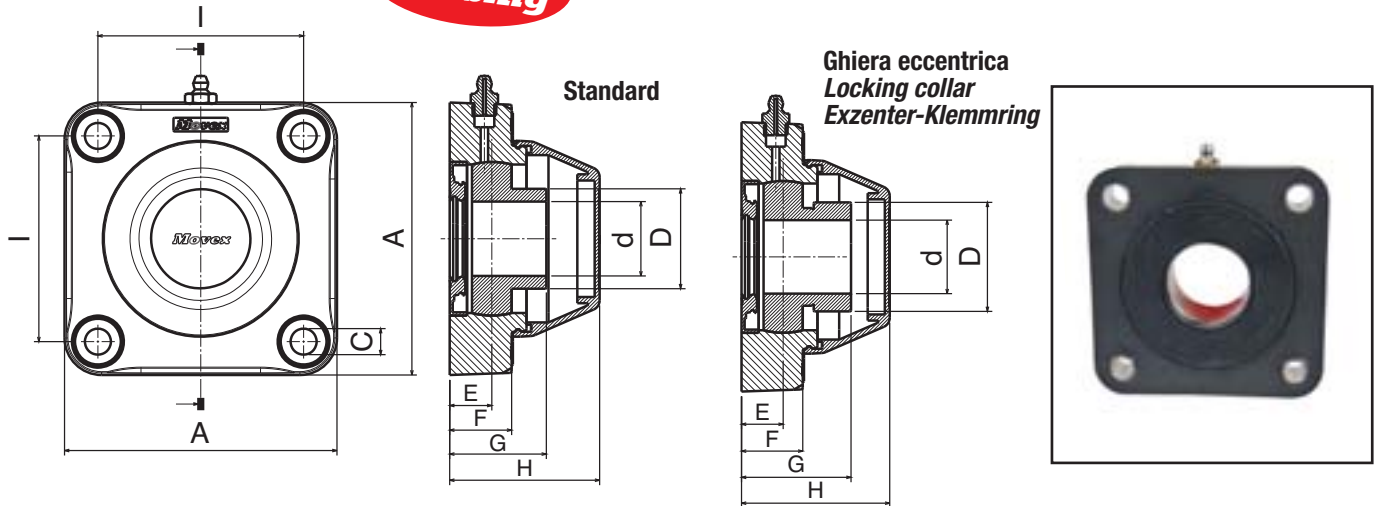
Chrome steel - "Long life"	Part	Art-close	Part	Art-open	Series	d	I	A	C	D	E	F	G	H
	809	80901L	810	81001L	UCF205	25	70	98	11	34	16	22	35,5	51,5
809	80902L	810	81002L	UCF206	30	83	110	11	40,3	17	25	39	60,5	
809	80903L	810	81003L	UCF207/83	35	83	110	11	48	20	25	43,5	65,5	
809	80913L	810	81013L	UCF207	35	92	118	11	48	20	25	43,5	65,5	
809	80904L	810	81004L	UCF208/83	40	83	110	11	53	19,5	25	44,5	65,5	
809	80914L	810	81014L	UCF208	40	102	130	11	53	19	25	44	65,5	

**Inserto con ghiera eccentrica, guarnizioni, versione aperta e chiusa / Insert with locking collar, sealed, open and close version Flanschlagler mit Exzenter-Klemmring, abgedichtet, offene und geschlossene Version**

Chrome steel	Part	Art-close	Part	Art-open	Series	d	I	A	C	D	E	F	G	H
	811	81101	812	81201	UCF205	25	70	98	11	38,1	16	22	39,4	51,5
811	81102	812	81202	UCF206	30	83	110	11	44,5	17	25	44,7	60,5	
811	81103	812	81203	UCF207/83	35	83	110	11	55,6	20	25	50,4	65,5	
811	81113	812	81213	UCF207	35	92	118	11	55,6	20	25	50,4	65,5	
811	81104	812	81204	UCF208/83	40	83	110	11	60,3	19,5	25	54,2	65,5	
811	81114	812	81214	UCF208	40	102	130	11	60,3	19	25	53,7	65,5	



**Solid Housing**



**Inserto standard, con guarnizioni, versione aperta e chiusa / Standard insert, sealed, open and close version, Standard-Flanschlagler, abgedichtet, offene und geschlossene Version**

**NEW**

Chrome steel	Part	Art-close	Part	Art-open	Series	d	I	A	C	D	E	F	G	H
	830	83001	831	83101	UCF205	25	70	98	11	34	16	22	35,5	51,5
	830	83002	831	83102	UCF206	30	83	110	11	40,3	17	25	39	60,5
	830	83013	831	83113	UCF207	35	92	118	11	48	20	25	43,5	65,5
	830	83004	831	83104	UCF208/83	40	83	110	11	53	19,5	25	44,5	65,5

**Inserto standard, con guarnizioni, versione aperta e chiusa / Standard insert, sealed, open and close version, Standard-Flanschlagler, abgedichtet, offene und geschlossene Version**

**NEW**

Stainless steel	Part	Art-close	Part	Art-open	Series	d	I	A	C	D	E	F	G	H
	830	83001SS	831	83101SS	UCF205	25	70	98	11	34	16	22	35,5	51,5
	830	83002SS	831	83102SS	UCF206	30	83	110	11	40,3	17	25	39	60,5
	830	83013SS	831	83113SS	UCF207	35	92	118	11	48	20	25	43,5	65,5
	830	83004SS	831	83104SS	UCF208/83	40	83	110	11	53	19,5	25	44,5	65,5

**Inserto "Long life", con guarnizioni, versione aperta e chiusa / "Long life" insert, sealed, open and close version, "Long life"-Flanschlagler, abgedichtet, offene und geschlossene Version**

**NEW**

Chrome steel	Part	Art-close	Part	Art-open	Series	d	I	A	C	D	E	F	G	H
	830	83001L	831	83101L	UCF205	25	70	98	11	34	16	22	35,5	51,5
	830	83002L	831	83102L	UCF206	30	83	110	11	40,3	17	25	39	60,5
	830	83013L	831	83113L	UCF207	35	92	118	11	48	20	25	43,5	65,5
	830	83004L	831	83104L	UCF208/83	40	83	110	11	53	19,5	25	44,5	65,5

**Inserto con ghiera eccentrica, guarnizioni, versione aperta e chiusa / Insert with locking collar, sealed, open and close version Flanschlagler mit Exzenter-Klemmring, abgedichtet, offene und geschlossene Version**

**NEW**

Chrome steel	Part	Art-close	Part	Art-open	Series	d	I	A	C	D	E	F	G	H
	832	83201	833	83301	UCF205	25	70	98	11	38,1	16	22	39,4	51,5
	832	83202	833	83302	UCF206	30	83	110	11	44,5	17	25	44,7	60,5
	832	83213	833	83313	UCF207	35	92	118	11	55,6	20	25	50,4	65,5
	832	83204	833	83304	UCF208/83	40	83	110	11	60,3	19,5	25	54,2	65,5



**New**

**COVER IN  
STAINLESS STEEL**



### COMPONENTI

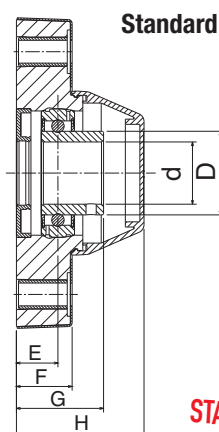
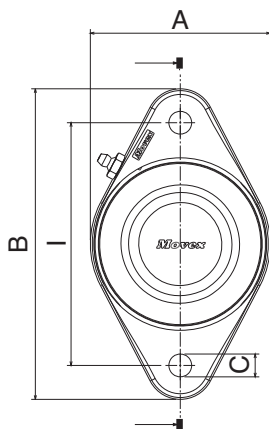
- Sede in poliammide rinforzato, con elevata resistenza meccanica e ottima resistenza contro agenti chimici corrosivi quali acqua, oli, benzina e liquidi contenenti alcool. Tutti i nostri cuscinetti possono essere utilizzati ad una temperatura compresa fra 0°C e +80°C
- I cuscinetti sono realizzati in acciaio al cromo, disponibili anche, su richiesta, nella versione in acciaio inox. Il cuscinetto all'interno della flangia può essere regolato di 2,5°.
- L'ingrassatore viene realizzato in ferro nichelato, o in acciaio inox nella versione con il cuscinetto in acciaio inox.
- Distanziali realizzati in ottone nichelato per rinforzare il foro di fissaggio
- Rondella in acciaio inox.
- **"Cover"** in acciaio inox.

### COMPONENTS

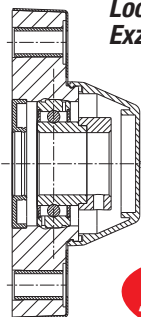
- *Housing in reinforced polyamide, with higher load capacity and good resistance to corrosive chemicals such as water, oils, petrol and alcoholic beverages. All our bearings can be used at temperatures between 0°C and +80°C.*
- *Ball bearings are made in chrome steel. They are also available, upon request, in stainless steel. Max misalignment between shaft and housing: 2.5°.*
- *Grease nipple are made in nickel plated steel, but they can also be made in stainless steel on the stainless steel bearing.*
- *Spacers from nickel plated brass to reinforce fixing holes.*
- *Washer stainless steel.*
- **"Cover"** in stainless steel

### KOMPONENTEN

- *Gehäuse gefertigt aus verstärktem Polyamid. Dies gewährleistet eine gute Widerstandsfähigkeit gegenüber mechanischen Einflüssen und eine gute Korrosionsbeständigkeit gegenüber Wasser, Ölen, Benzin, Flüssigkeiten mit Alkohol und Chemikalien. Alle unsere Gehäuse-Lagereinheiten können in einem Temperaturbereich von 0°C bis +80°C eingesetzt werden.*
- *Die Lagereinsätze sind aus Chrom-Stahl, auf Anfrage auch in Edelstahl erhältlich. Alle Lager gleichen einen Fluchtungsfehler von bis zu 2,5° selbstständig aus.*
- *Die Schmiernippel sind aus vernickeltem Stahl (aus Edelstahl wenn die Ausführung mit Edelstahl Einsatz gefragt ist).*
- *Alle Distanzstücke sind aus vernickeltem Messing und verstärken die Befestigungsbohrungen*
- *Alle Unterlegscheiben aus Edelstahl.*
- **"Cover"** aus Edelstahl.



Ghiera eccentrica  
Locking collar  
Exzenter-Klemmring



**Solid Housing**



**COVER IN STAINLESS STEEL**

**NEW** Insetto standard, con guarnizioni, versione aperta e chiusa / Standard insert, sealed, open and close version / Standard-Flanschlagler, abgedichtet, offene und geschlossene Version

Chrome steel	Part	Art-close	Part	Art-open	Series	d	l	A	B	C	D	E	F	G	H
	824	82412H	825	82512H	UCFL-H206	30	117	86,7	149,7	11	40,3	20	26,85	42	61,5
	824	82404H	825	82504H	UCFL-H208/117	40	117	94,7	149,7	11	53	19	26,85	44	67

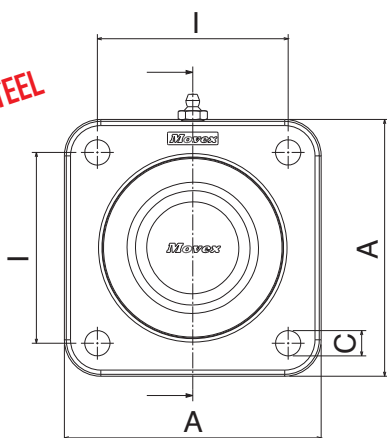
**NEW** Insetto "long life", con guarnizioni, versione aperta e chiusa / "Long life" insert, sealed, open and close version / "Long Life"-Flanschlagler, abgedichtet, offene und geschlossene Version

Chrome steel	Part	Art-close	Part	Art-open	Series	d	l	A	B	C	D	E	F	G	H
	824	82412LH	825	82512LH	UCFL-H206	30	117	86,7	149,7	11	40,3	20	26,85	42	61,5
	824	82404LH	825	82504LH	UCFL-H208/117	40	117	94,7	149,7	11	53	19	26,85	44	67

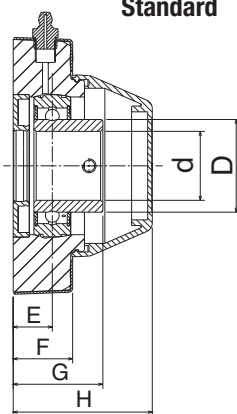
**NEW** Insetto con ghiera eccentrica, guarnizioni, versione aperta e chiusa / Insert with locking collar, sealed, open and close version / Flanschlagler mit Exzenter-Klemmring, abgedichtet, offene und geschlossene Version

Chrome steel	Part	Art-close	Part	Art-open	Series	d	l	A	B	C	D	E	F	G	H
	826	82612H	827	82712H	UCFL-H206	30	117	86,7	149,7	11	44,5	20	26,85	47,7	61,5
	826	82604H	827	82704H	UCFL-H208/117	40	117	94,7	149,7	11	60,3	19	26,85	54	67

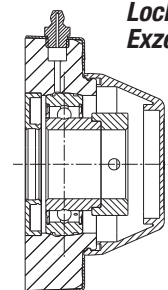
**COVER IN STAINLESS STEEL**



Standard



Ghiera eccentrica  
Locking collar  
Exzenter-Klemmring



**Solid Housing**

**NEW** Insetto standard, con guarnizioni, versione aperta e chiusa / Standard insert, sealed, open and close version / Standard-Flanschlagler, abgedichtet, offene und geschlossene Version

Chrome steel	Part	Art-close	Part	Art-open	Series	d	l	A	C	D	E	F	G	H
	830	83002H	831	83102H	UCFL-H206	30	83	111,7	11	40,3	17	25	39	60,5
	830	83004H	831	83104H	UCFL-H208/83	40	83	111,7	11	53	19,5	25	44,5	65,5

**NEW** Insetto "long life", con guarnizioni, versione aperta e chiusa / "Long life" insert, sealed, open and close version / "Long Life"-Flanschlagler, abgedichtet, offene und geschlossene Version

Chrome steel	Part	Art-close	Part	Art-open	Series	d	l	A	C	D	E	F	G	H
	830	83002LH	831	83102LH	UCFL-H206	30	83	111,7	11	40,3	17	25	39	60,5
	830	83004LH	831	83104LH	UCFL-H208/83	40	83	111,7	11	53	19,5	25	44,5	65,5

**NEW** Insetto con ghiera eccentrica, guarnizioni, versione aperta e chiusa / Insert with locking collar, sealed, open and close version / Flanschlagler mit Exzenter-Klemmring, abgedichtet, offene und geschlossene Version

Chrome steel	Part	Art-close	Part	Art-open	Series	d	l	A	C	D	E	F	G	H
	832	83202H	833	83302H	UCFL-H206	30	83	111,7	11	44,5	17	25	47,7	60,5
	832	83204H	833	83304H	UCFL-H208/83	40	83	111,7	11	60,3	19,5	25	54,2	65,5

**CUSCINETTI BIANCHI**

- Sede in Poliammide Bianco.
- I cuscinetti sono realizzati in Acciaio Inox, è possibile regolarli di 2.5° all'interno della flangia.
- L'ingrassatore viene realizzato in Acciaio Inox.
- Distanziali realizzati in Acciaio Inox.
- Rondella per ingrassatore realizzata in Polietilene.

**BEARING UNITS –WHITE–**

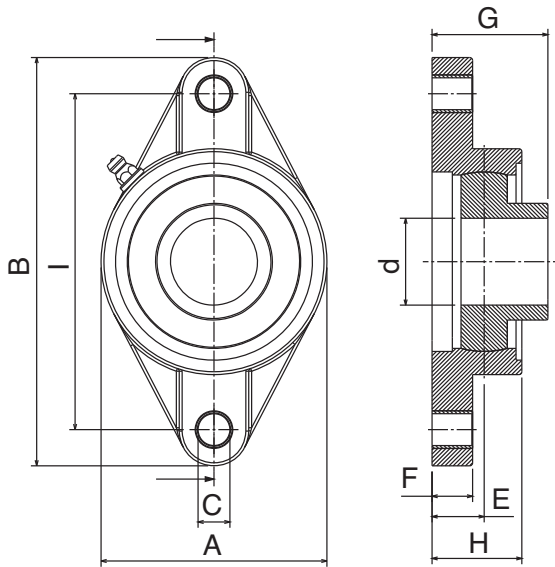
- *Housing in reinforced Polyamide, white*
- *Ball bearings are made in stainless steel, they allow a misalignment between shaft and housing of max. 2.5°.*
- *Grease nipple made in stainless steel.*
- *Spacers in stainless steel to reinforce fixing holes.*
- *Washer for grease nipple in PE.*

**FLANSCHLAGER –WEISS–**

- *Lagergehäuse gefertigt aus verstärktem Polyamid, weiß.*
- *Lagereinsatz aus Edelstahl, alle Lager gleichen einen Fluchtungsfehler von bis zu 2,5° selbständig aus.*
- *Schmiernippel aus Edelstahl.*
- *Distanzstücke aus Edelstahl und verstärken die Befestigungsbohrungen.*
- *Unterlegscheibe für Schmiernippel aus Edelstahl.*



Series	Article-Nr.
FL204	89801
FL205	89802
FL206	89803
FL207	89804
FL208	89805

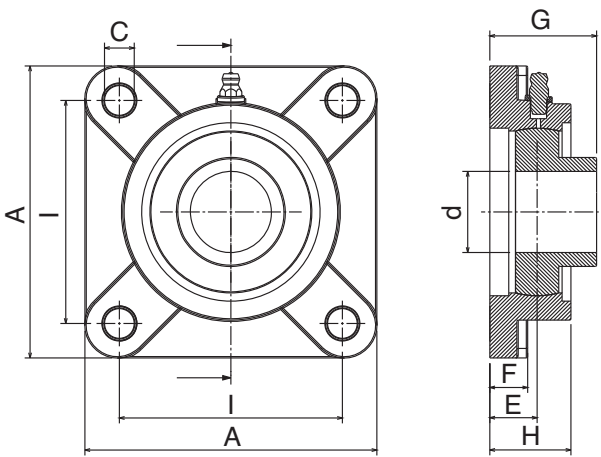


**SS insert**

**FL**

Inserto standard / Standard insert / Standard-Flanschlager

Part	Art.-Nr.	Series	d	I	A	B	C	E	F	G	H
813	81300	FL204	20	90	64	113	11	15,4	11,4	33,7	26,5
813	81301	FL205	25	99	70	131	11	17	13,5	36,7	29,1
813	81302	FL206	30	117	80	148	11	19	13,3	41,2	30,5
813	81303	FL207	35	130	90	164	13	18	16,1	43,4	32,8
813	81304	FL208	40	144	100	176	14	21,5	20	51,7	37,5

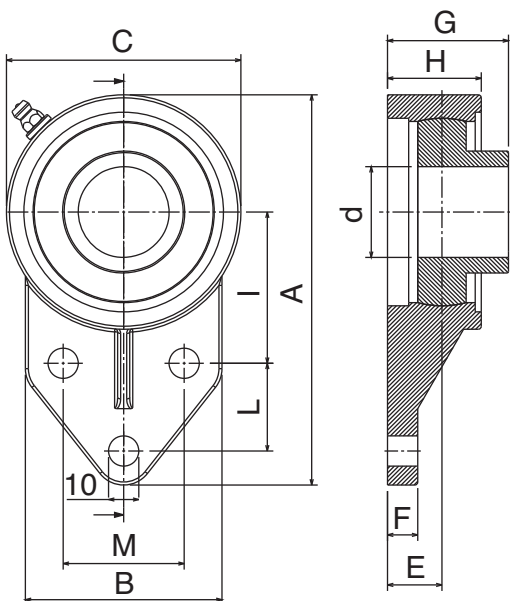


**SS insert**

**F**

Inserto standard / Standard insert / Standard-Flanschlager

Part	Art.-Nr.	Series	d	I	A	C	E	F	G	H
814	81400	F204	20	63,5	86	11	18	13,4	36,3	27,8
814	81401	F205	25	70	95	11	17	14	36,7	28,0
814	81402	F206	30	83	107	11	19,2	14,3	41,4	31,5
814	81403	F207	35	92	118	13	21,5	15,5	46,9	34,8
814	81404	F208	40	102	130	14	23	17	53,2	37,5



**SS insert**

**FB-Stainless steel**

Inserto standard / Standard insert / Standard-Flanschlager

Part	Art.-Nr.	Series	d	A	I	L	M	B	C	E	F	G	H
815	81500	FB204	20	108,5	42,9	22,2	38,1	62	62	15,4	12	33,7	26,2
815	81501	FB205	25	120,6	46	20,6	41,3	63,5	68,5	21	12	40,7	33,5
815	81502	FB206	30	140	52,4	31,8	47,6	75	83	19	14	41,2	31,5
815	81503	FB207	35	157	60,3	31,8	50,8	89	95	21,4	16	46,8	36,5
815	81504	FB208	40	164	60,3	41,3	50	78	100	22	18	47,5	35,7

**FB-Chrome steel**

Inserto standard / Standard insert / Standard-Flanschlager

Part	Art.-Nr.	Series	d	A	I	L	M	B	C	E	F	G	H
816	81600	FB204	20	108,5	42,9	22,2	38,1	62	62	15,4	12	33,7	26,2
816	81601	FB205	25	120,6	46	20,6	41,3	63,5	68,5	21	12	40,7	33,5
816	81602	FB206	30	140	52,4	31,8	47,6	75	83	19	14	41,2	31,5
816	81603	FB207	35	157	60,3	31,8	50,8	89	95	21,4	16	46,8	36,5
816	81604	FB208	40	164	60,3	41,3	50	78	100	22	18	47,5	35,7



### CUSCINETTI ACCIAIO INOX

- Sede in Acciaio Inox, ottimale per l'utilizzo nei processi alimentari e farmaceutici.
- I cuscinetti sono realizzati in Acciaio inox, è possibile regolarli di 2.5° all'interno della flangia.
- Ingrassatore realizzato in Acciaio inox.
- Rondella per ingrassatore realizzata in Polietilene.

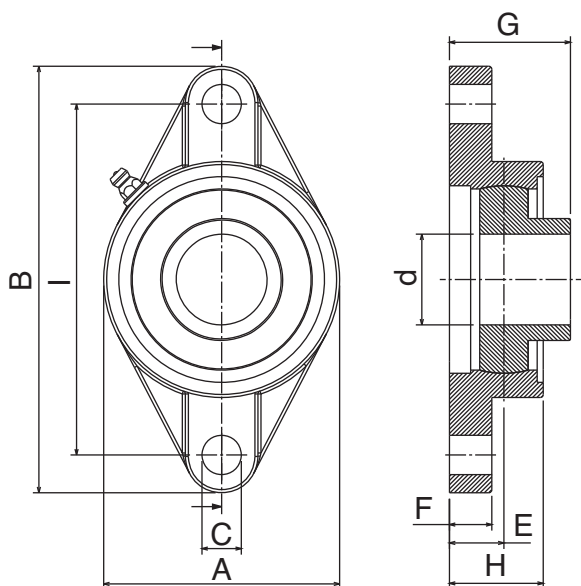
### BEARING UNITS IN STAINLESS STEEL

- *Housing in stainless steel, best choice for processes in food or pharmaceutical industries.*
- *Ball bearings are made in stainless steel, they allow a misalignment between shaft and housing of max. 2.5°.*
- *Grease nipple made in stainless steel.*
- *Washer for grease nipple in PE.*

### FLANCSHLAGER AUS EDELSTAHL

*Flanschlager aus Edelstahl*

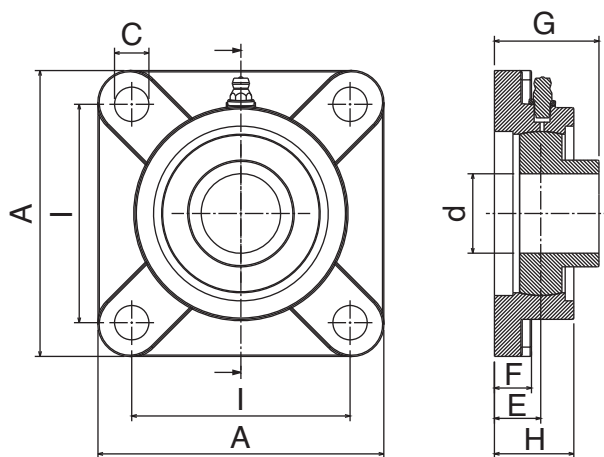
- *Lagergehäuse aus Edelstahl, optimal für den Einsatz in der Lebensmittel- oder Pharmaindustrie.*
- *Lagereinsatz aus Edelstahl, alle Lager gleichen einen Fluchtungsfehler von bis zu 2,5° selbständig aus.*
- *Schmiernippel aus Edelstahl.*
- *Unterlegscheibe für Schmiernippel aus PE.*



**SUCFL**

*Inserto standard / Standard insert / Standard-Flanschlager*

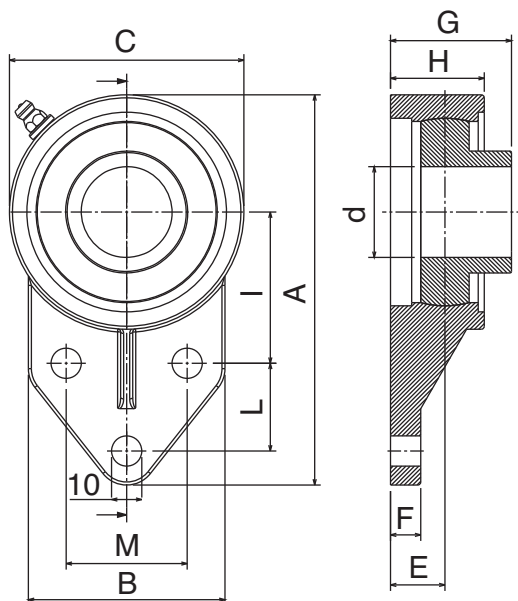
Part	Art.-Nr.	Series	d	I	A	B	C	E	F	G	H
817	81700	SUCFL 204	20	90	60	113	12	15	11	33,3	25,5
817	81701	SUCFL 205	25	99	68	130	16	16	13	35,8	27
817	81702	SUCFL 206	30	117	80	148	16	18	13	40,2	31
817	81703	SUCFL 207	35	130	90	161	16	19	15	44,4	34
817	81704	SUCFL 208	40	144	100	175	16	21	15	51,2	36



**SUCF**

*Inserto standard / Standard insert / Standard-Flanschlager*

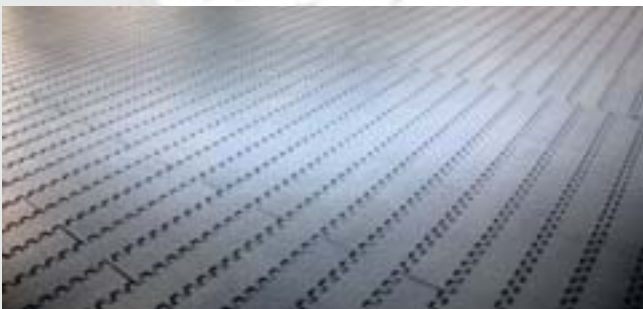
Part	Art.-Nr.	Series	d	I	A	C	E	F	G	H
819	81900	SUCF 204	20	64	86	12	15	12	33,3	25,5
819	81901	SUCF 205	25	70	95	12	16	14	35,8	27
819	81902	SUCF 206	30	83	108	12	18	14	40,2	31
819	81903	SUCF 207	35	92	117	14	19	15	44,4	34
819	81904	SUCF 208	40	102	130	16	21	15	51,2	36



**SUCFK**

*Inserto standard / Standard insert / Standard-Flanschlager*

Part	Art.-Nr.	Series	d	A	I	L	M	B	C	E	F	G	H
821	82100	SUCFK 204	20	110	42	27	32	52	62	15	13	33,3	25,5
821	82101	SUCFK 205	25	116	45	27	34	56	68	16	13	35,7	27
821	82102	SUCFK 206	30	130	50	29	40	65	78	18	13	40,2	31
821	82103	SUCFK 207	35	144	55	32	46	70	90	19	15	44,4	34
821	82104	SUCFK 208	40	164	60	41	50	78	100	21	16	51,2	36





# leveling pads

Ø40-Ø50-Ø60



pag. 256

Ø80-Ø100



pag. 258

Ø80-Ø100-Ø120



pag. 260

Ø110



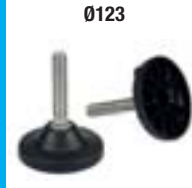
pag. 262

Ø123



pag. 264

Ø123



pag. 266

Ø50-Ø65 -Ø75-Ø100  
Ø125-Ø150-Ø180



pag. 268

Ø75-Ø100



pag. 270

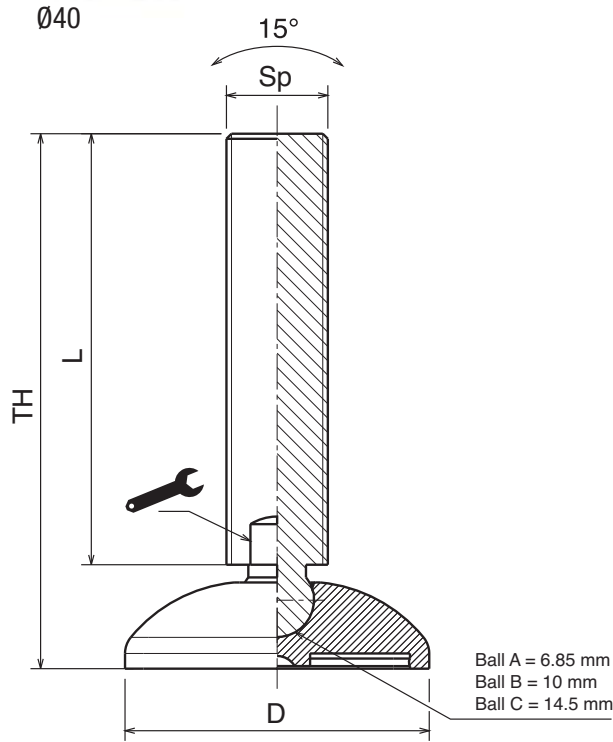
Ø123



pag. 272



Materiale:	Material:	Materialien:
Basi: Poliammide	Base plate: Polyamide	Fussplatte: Polyamid
Stelo: Acciaio inox o Ferro zincato	Spindle: Stainless steel or Zinc plated steel	Spindel: Edelstahl oder Stahl Verzinkt



ACCESSORI / ACCESSORIES / ZUBEHÖR

Gomma anti-scivolo / Anti-slip pad / Gummiplatte



Part	Article-Nr.	For base
996	99601	Ø40
996	99602	Ø50
996	99603	Ø60

Dadi acciaio inox / Stainless steel nuts / Mutter Edelstahl



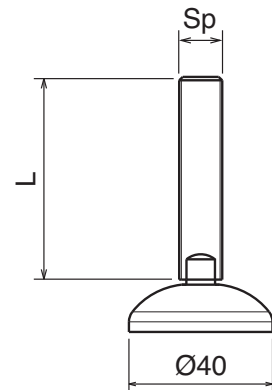
Part	Article-Nr.	Spindle
998	99801	M10
998	99802	M12
998	99804	M16
998	99805	M20

SS: Acciaio inox / Stainless steel / Edelstahl

FeZn: Ferro zincato / Zinc plated steel / Stahl Verzinkt

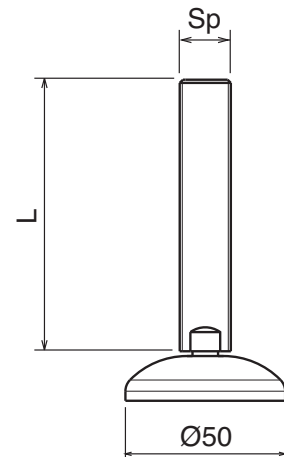
Piede diam. 40 mm / Leveller diam. 40 mm / Gelenkfuss Diam. 40 mm

Part	Sp		Sp	TH	L	Ball	N	
	SS	FeZn					7	16
901	90101	90101Z	M10	50	35	A	7	-
901	90102	90102Z		100	85	A	7	10.000
901	90103	90103Z		150	135	A	7	-
902	90201	90201Z	M12	75	60	B	9	-
902	90202	90202Z		100	85	B	9	12.000
902	90203	90203Z		150	135	B	9	-
903	90301	90301Z	M16	75	60	B	13	-
903	90302	90302Z		100	85	B	13	-
903	90303	90303Z		150	135	B	13	-
903	90301H	90301ZH		75	60	B	-	16
903	90302H	90302ZH		100	85	B	-	16
903	90303H	90303ZH		150	135	B	-	16



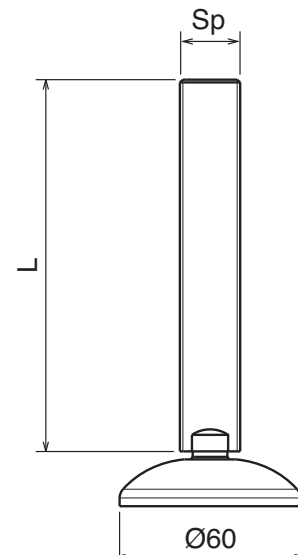
Piede diam. 50 mm / Leveller diam. 50 mm / Gelenkfuss Diam. 50 mm

Part	Sp		Sp	TH	L	Ball	N	
	SS	FeZn					7	16
904	90401	90401Z	M10	50	35	A	7	-
904	90402	90402Z		100	85	A	7	10.000
904	90403	90403Z		150	135	A	7	-
905	90501	90501Z	M12	75	60	B	9	-
905	90502	90502Z		100	85	B	9	12.000
905	90503	90503Z		150	135	B	9	-
906	90601	90601Z	M16	75	60	B	13	-
906	90602	90602Z		100	85	B	13	-
906	90603	90603Z		150	135	B	13	-
906	90601H	90601ZH		75	60	B	-	16
906	90602H	90602ZH		100	85	B	-	16
906	90603H	90603ZH		150	135	B	-	16

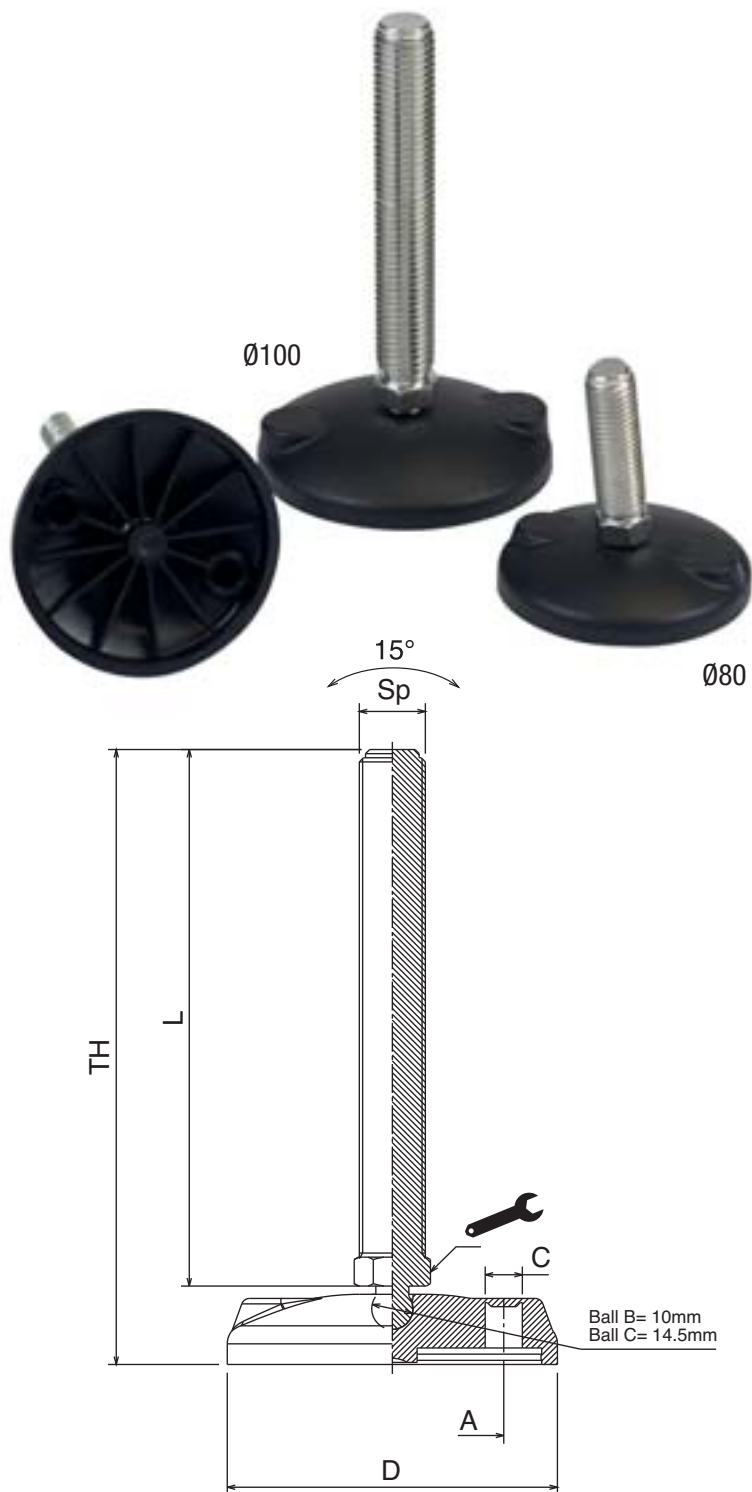


Piede diam. 60 mm / Leveller diam. 60 mm / Gelenkfuss Diam. 60 mm

Part	Sp		Sp	TH	L	Ball	N	
	SS	FeZn					9	16
907	90701	90701Z	M12	80	60	B	9	-
907	90702	90702Z		105	85	B	9	12.000
907	90703	90703Z		155	135	B	9	-
908	90801	90801Z	M16	105	85	B	13	-
908	90802	90802Z		155	135	B	13	-
908	90803	90803Z		205	185	B	13	-
908	90801H	90801ZH		105	85	B	-	16
908	90802H	90802ZH		155	135	B	-	16
908	90803H	90803ZH		205	185	B	-	16
909	90901	90901Z	M20	105	85	C	16	-
909	90902	90902Z		155	135	C	16	-
909	90903	90903Z		205	185	C	16	-
909	90901H	90901ZH		105	85	C	-	20
909	90902H	90902ZH		155	135	C	-	20
909	90903H	90903ZH		205	185	C	-	20



Materiale:	Material:	Materialien:
Basi: Poliammide	Base plate: Polyamide	Fussplatte: Polyamid
Stelo: Acciaio inox o Ferro zincato	Spindle: Stainless steel or Zinc plated steel	Spindel: Edelstahl oder Stahl Verzinkt



## ACCESSORI / ACCESSORIES / ZUBEHÖR

### Gomma anti-scivolo / Anti-slip pad / Gummiplatte



Part	Article-Nr.	For base
996	99604	Ø80
996	99605	Ø100

### Dadi acciaio inox / Stainless steel nuts / Mutter Edelstahl



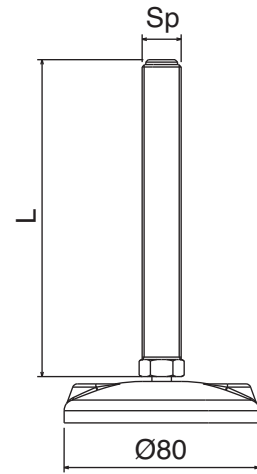
Part	Article-Nr.	Spindle
998	99802	M12
998	99804	M16
998	99805	M20

SS: Acciaio inox / Stainless steel / Edelstahl

FeZn: Ferro zincato / Zinc plated steel / Stahl Verzinkt

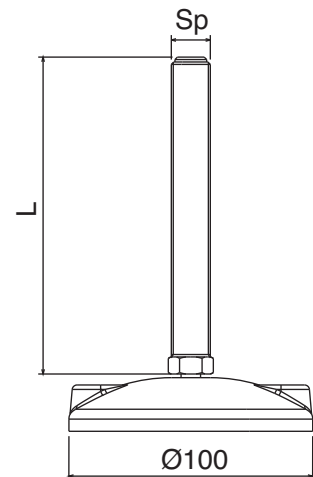
Piede diam. 80 mm / Leveller diam. 80 mm / Gelenkfuss Diam. 80 mm

Part	Sp		Sp	TH	L	Ball	C		N
	SS	FeZn					Wrench	Wrench	
953	95301	95301Z	M12	80	60	B	9	-	12.000
953	95302	95302Z		105	85	B	9	-	
953	95303	95303Z		155	135	B	9	-	
954	95401	95401Z	M16	105	85	B	13	-	15.000
954	95402	95402Z		155	135	B	13	-	
954	95403	95403Z		205	185	B	13	-	
954	95401H	95401ZH		105	85	B	-	16	
954	95402H	95402ZH		155	135	B	-	16	
954	95403H	95403ZH		205	185	B	-	16	
955	95501	95501Z	M20	105	85	C	16	-	18.000
955	95502	95502Z		155	135	C	16	-	
955	95503	95503Z		205	185	C	16	-	
955	95501H	95501ZH		105	85	C	-	20	
955	95502H	95502ZH		155	135	C	-	20	
955	95503H	95503ZH	205	185	C	-	20		



Piede diam. 100 mm / Leveller diam. 100 mm / Gelenkfuss Diam. 100 mm

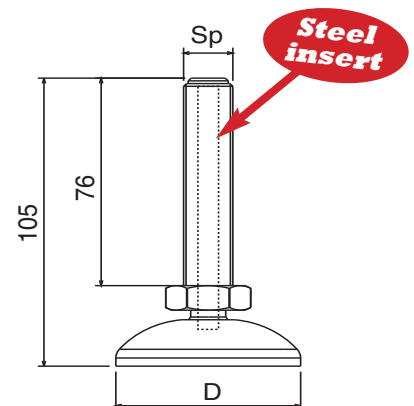
Part	Sp		Sp	TH	L	Ball	C		N
	SS	FeZn					Wrench	Wrench	
956	95601	95601Z	M16	108	85	B	13	-	15.000
956	95602	95602Z		158	135	B	13	-	
956	95603	95603Z		208	185	B	13	-	
956	95601H	95601ZH	M16	108	85	B	-	16	15.000
956	95602H	95602ZH		158	135	B	-	16	
956	95603H	95603ZH		208	185	B	-	16	
957	95701	95701Z	M20	108	85	C	16	-	18.000
957	95702	95702Z		158	135	C	16	-	
957	95703	95703Z		208	185	C	16	-	
957	95701H	95701ZH		108	85	C	-	20	
957	95702H	95702ZH		158	135	C	-	20	
957	95703H	95703ZH	208	185	C	-	20		



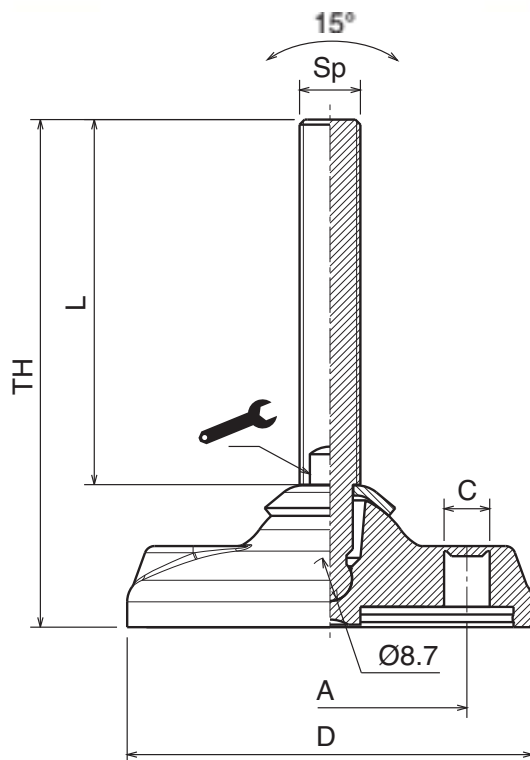
Piede diam. 60-80-100 mm / Leveller diam. 60-80-100 mm / Gelenkfuss Diam. 60-80-100 mm

Part	Art.-Nr.	Sp	D	Ball	Wrench	N
908	90810PH		60			
954	95410PH	M16	80	C	24	13.000
957	95710PH		100			

Base and spindle: Poliammide / Polyamide / Polyamid



Materiale:	Material:	Materialien:
Basi: Poliammide	Base plate: Polyamide	Fussplatte: Polyamid
Stelo: Acciaio inox o Ferro zincato	Spindle: Stainless steel or Zinc plated steel	Spindel: Edelstahl oder Stahl Verzinkt



### ACCESSORI / ACCESSORIES / ZUBEHÖR

#### Gomma anti-scivolo / Anti-slip pad / Gummiplatte



Part	Article-Nr.	For base
996	99604	Ø80
996	99605	Ø100
996	99606	Ø120

#### Dadi acciaio inox / Stainless steel nuts / Mutter Edelstahl



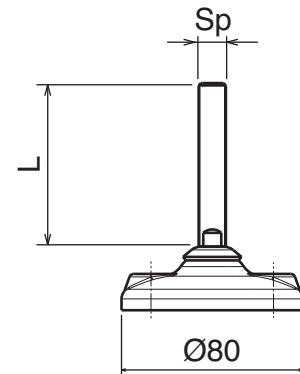
Part	Article-Nr.	Spindle
998	99802	M12
998	99804	M16
998	99805	M20
998	99806	M24

SS: Acciaio inox / Stainless steel / Edelstahl

FeZn: Ferro zincato / Zinc plated steel / Stahl Verzinkt

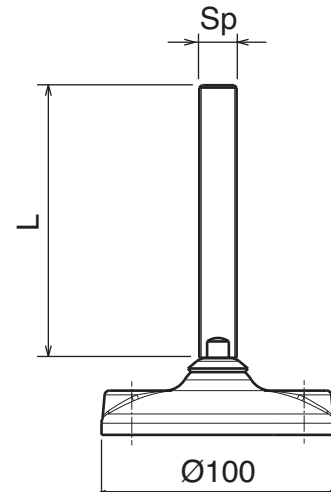
Piede diam. 80 mm / Leveller diam. 80 mm / Gelenkfuss Diam. 80 mm

Sp			🔩		🔩		🔩		🔩	
Part	SS	FeZn	Sp	TH	L	A	C	🔩	🔩	N
910	91001	91001Z	M12	100	72	54	9	9	-	12.000
910	91002	91002Z		150	122	54	9	9	-	
910	91003	91003Z		200	172	54	9	9	-	
911	91101	91101Z	M16	95	67	54	9	13	-	15.000
911	91102	91102Z		145	117	54	9	13	-	
911	91103	91103Z		195	167	54	9	13	-	
911	91101H	91101ZH		95	67	54	9	-	16	
911	91102H	91102ZH		145	117	54	9	-	16	
911	91103H	91103ZH		195	167	54	9	-	16	
912	91201	91201Z	M20	120	92	54	9	16	-	16.000
912	91202	91202Z		170	142	54	9	16	-	
912	91203	91203Z		220	192	54	9	16	-	
912	91201H	91201ZH		120	92	54	9	-	20	
912	91202H	91202ZH		170	142	54	9	-	20	
912	91203H	91203ZH		220	192	54	9	-	20	



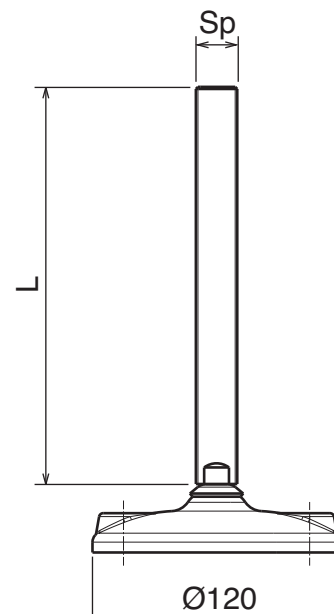
Piede diam. 100 mm / Leveller diam. 100 mm / Gelenkfuss Diam. 100 mm

Sp			🔩		🔩		🔩		🔩	
Part	SS	FeZn	Sp	TH	L	A	C	🔩	🔩	N
913	91301	91301Z	M16	100	67	74	13	13	-	15.000
913	91302	91302Z		150	117	74	13	13	-	
913	91303	91303Z		200	167	74	13	13	-	
913	91301H	91301ZH		100	67	74	13	-	16	
913	91302H	91302ZH		150	117	74	13	-	16	
913	91303H	91303ZH		200	167	74	13	-	16	
914	91401	91401Z	M20	125	92	74	13	16	-	16.000
914	91402	91402Z		175	142	74	13	16	-	
914	91403	91403Z		225	192	74	13	16	-	
914	91401H	91401ZH		125	92	74	13	-	20	
914	91402H	91402ZH		175	142	74	13	-	20	
914	91403H	91403ZH		225	192	74	13	-	20	
915	91501	91501Z	M24	125	92	74	13	19	-	18.000
915	91502	91502Z		175	142	74	13	19	-	
915	91503	91503Z		225	192	74	13	19	-	

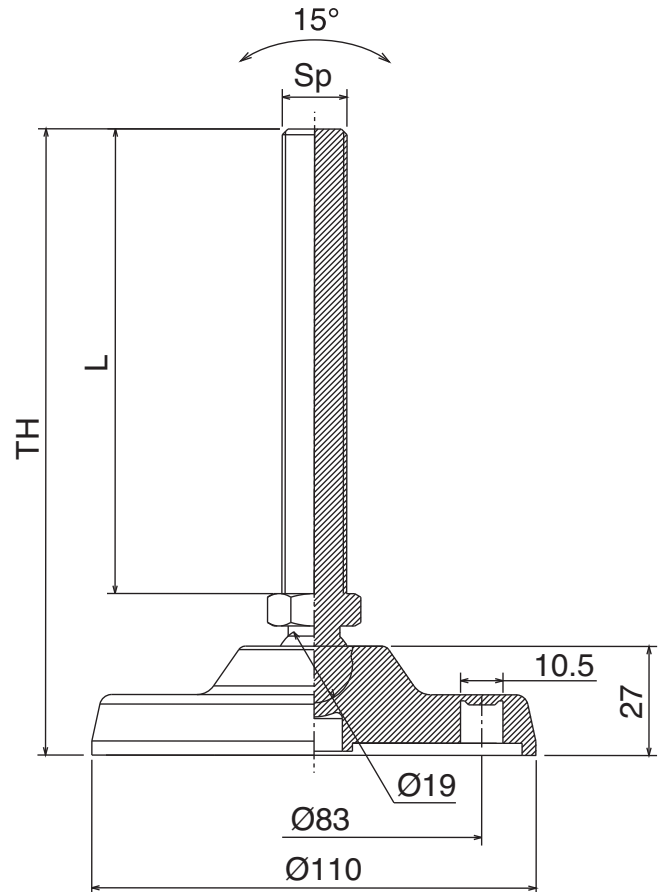


Piede diam. 120 mm / Leveller diam. 120 mm / Gelenkfuss Diam. 120 mm

Sp			🔩		🔩		🔩		🔩	
Part	SS	FeZn	Sp	TH	L	A	C	🔩	🔩	N
916	91601	91601Z	M16	100	67	90	13	13	-	15.000
916	91602	91602Z		150	117	90	13	13	-	
916	91603	91603Z		200	167	90	13	13	-	
916	91601H	91601ZH		100	67	90	13	-	16	
916	91602H	91602ZH		150	117	90	13	-	16	
916	91603H	91603ZH		200	167	90	13	-	16	
917	91701	91701Z	M20	125	92	90	13	16	-	16.000
917	91702	91702Z		175	142	90	13	16	-	
917	91703	91703Z		225	192	90	13	16	-	
917	91701H	91701ZH		125	92	90	13	-	20	
917	91702H	91702ZH		175	142	90	13	-	20	
917	91703H	91703ZH		225	192	90	13	-	20	
918	91801	91801Z	M24	125	92	90	13	19	-	18.000
918	91802	91802Z		175	142	90	13	19	-	
918	91803	91803Z		225	192	90	13	19	-	



Materiale:	Material:	Materialien:
Basi: Poliammide	Base plate: Polyamide	Fussplatte: Polyamid
Stelo: Acciaio inox o Ferro zincato	Spindle: Stainless steel or Zinc plated steel	Spindel: Edelstahl oder Stahl Verzinkt



## ACCESSORI / ACCESSORIES / ZUBEHÖR

### Gomma anti-scivolo / Anti-slip pad / Gummiplatte



Part	Article-Nr.	For base
996	99607	Ø110

### Dadi acciaio inox / Stainless steel nuts / Mutter Edelstahl



Part	Article-Nr.	Spindle
998	99804	M16
998	99805	M20
998	99806	M24




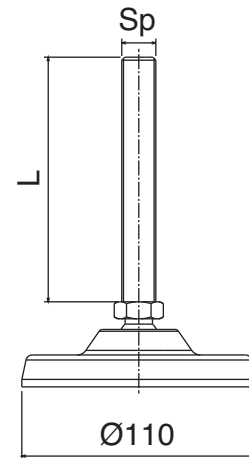
SS: Acciaio inox / Stainless steel / Edelstahl

FeZn: Ferro zincato / Zinc plated steel / Stahl Verzinkt


Piede diam. 110 mm / Leveller diam. 110 mm / Gelenkfuss Diam. 110 mm

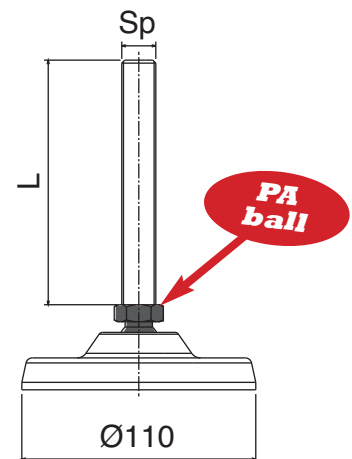
WITHOUT ANTISLIP RUBBER

Sp							
Part	SS	FeZn	Sp	TH	L		N
943	94301H	94301ZH	M16	155	115	20	15.000
943	94302H	94302ZH		185	145	20	
943	94303H	94303ZH		235	195	20	
944	94401H	94401ZH	M20	155	115	20	
944	94402H	94402ZH		185	145	20	
944	94403H	94403ZH		235	195	20	
945	94501H	94501ZH	M24	155	115	24	18.000
945	94502H	94502ZH		185	145	24	
945	94503H	94503ZH		235	195	24	




WITH ANTISLIP RUBBER

Sp							
Part	SS	FeZn	Sp	TH	L		N
943	94351H	94351ZH	M16	155	115	20	15.000
943	94352H	94352ZH		185	145	20	
943	94353H	94353ZH		235	195	20	
944	94451H	94451ZH	M20	155	115	20	
944	94452H	94452ZH		185	145	20	
944	94453H	94453ZH		235	195	20	
945	94551H	94551ZH	M24	155	115	24	18.000
945	94552H	94552ZH		185	145	24	
945	94553H	94553ZH		235	195	24	




Piede diam. 110 mm / Leveller diam. 110 mm / Gelenkfuss Diam. 110 mm

WITHOUT ANTISLIP RUBBER

Sp							
Part	SS	FeZn	Sp	TH	L		N
946	94601H	94601ZH	M16	155	115	20	12.000
946	94602H	94602ZH		185	145	20	
946	94603H	94603ZH		235	195	20	
947	94701H	94701ZH	M20	155	115	20	
947	94702H	94702ZH		185	145	20	
947	94703H	94703ZH		235	195	20	



WITH ANTISLIP RUBBER

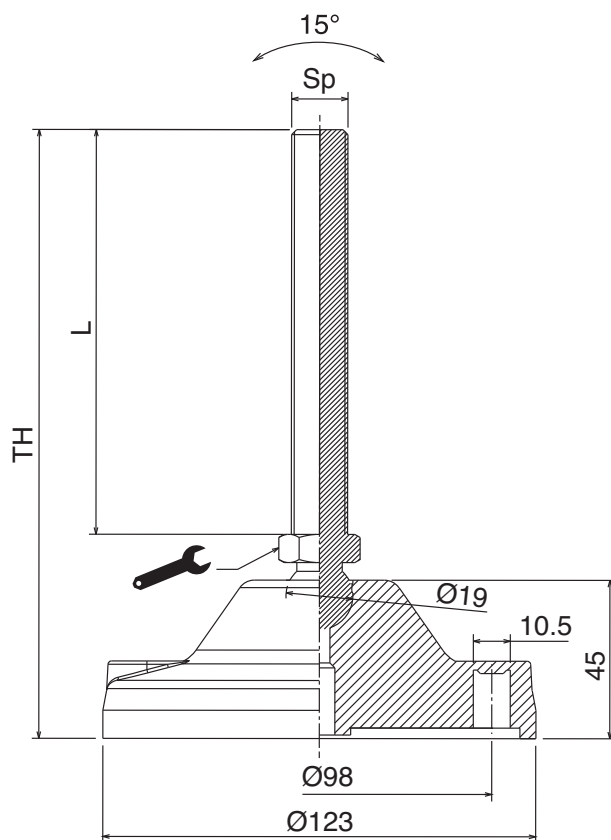
Sp							
Part	SS	FeZn	Sp	TH	L		N
946	94651H	94651ZH	M16	155	115	20	12.000
946	94652H	94652ZH		185	145	20	
946	94653H	94653ZH		235	195	20	
947	94751H	94751ZH	M20	155	115	20	
947	94752H	94752ZH		185	145	20	
947	94753H	94753ZH		235	195	20	



Materiale:	Material:	Materialien:
Basi: Poliammide	Base plate: Polyamide	Fussplatte: Polyamid
Stelo: Acciaio inox o Ferro zincato	Spindle: Stainless steel or Zinc plated steel	Spindel: Edelstahl oder Stahl Verzinkt



Ø123



## ACCESSORI / ACCESSORIES / ZUBEHÖR

### Gomma anti-scivolo / Anti-slip pad / Gummiplatte



Part	Article-Nr.	For base
996	99608	Ø123

### Dadi acciaio inox / Stainless steel nuts / Mutter Edelstahl




Part	Article-Nr.	Spindle
998	99804	M16
998	99805	M20
998	99806	M24

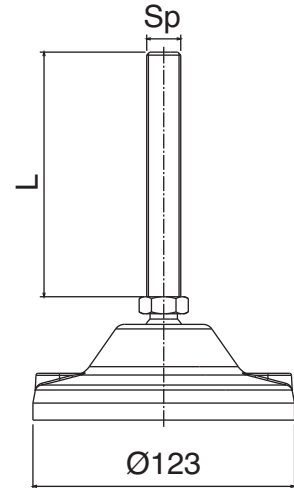
SS: Acciaio inox / Stainless steel / Edelstahl

FeZn: Ferro zincato / Zinc plated steel / Stahl Verzinkt


Piede diam. 123 mm / Leveller diam. 123 mm / Gelenkfuss Diam. 123 mm

WITHOUT ANTISLIP RUBBER

Sp							
Part	SS	FeZn	Sp	TH	L		N
948	94801H	94801ZH	M16	175	115	20	25.000
948	94802H	94802ZH		205	145	20	
948	94803H	94803ZH		255	195	20	
949	94901H	94901ZH	M20	175	115	20	
949	94902H	94902ZH		205	145	20	
949	94903H	94903ZH		255	195	20	
950	95001H	95001ZH	M24	175	115	24	
950	95002H	95002ZH		205	145	24	
950	95003H	95003ZH		255	195	24	




WITH ANTISLIP RUBBER

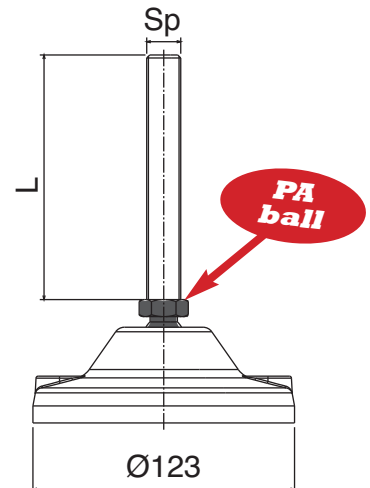
Sp							
Part	SS	FeZn	Sp	TH	L		N
948	94851H	94851ZH	M16	175	115	20	25.000
948	94852H	94852ZH		205	145	20	
948	94853H	94853ZH		255	195	20	
949	94951H	94951ZH	M20	175	115	20	
949	94952H	94952ZH		205	145	20	
949	94953H	94953ZH		255	195	20	
950	95051H	95051ZH	M24	175	115	24	
950	95052H	95052ZH		205	145	24	
950	95053H	95053ZH		255	195	24	




Piede diam. 123 mm / Leveller diam. 123 mm / Gelenkfuss Diam. 123 mm

WITHOUT ANTISLIP RUBBER

Sp							
Part	SS	FeZn	Sp	TH	L		N
951	95101H	95101ZH	M16	175	115	20	20.000
951	95102H	95102ZH		205	145	20	
951	95103H	95103ZH		255	195	20	
952	95201H	95201ZH	M20	175	115	20	
952	95202H	95202ZH		205	145	20	
952	95203H	95203ZH		255	195	20	



WITH ANTISLIP RUBBER

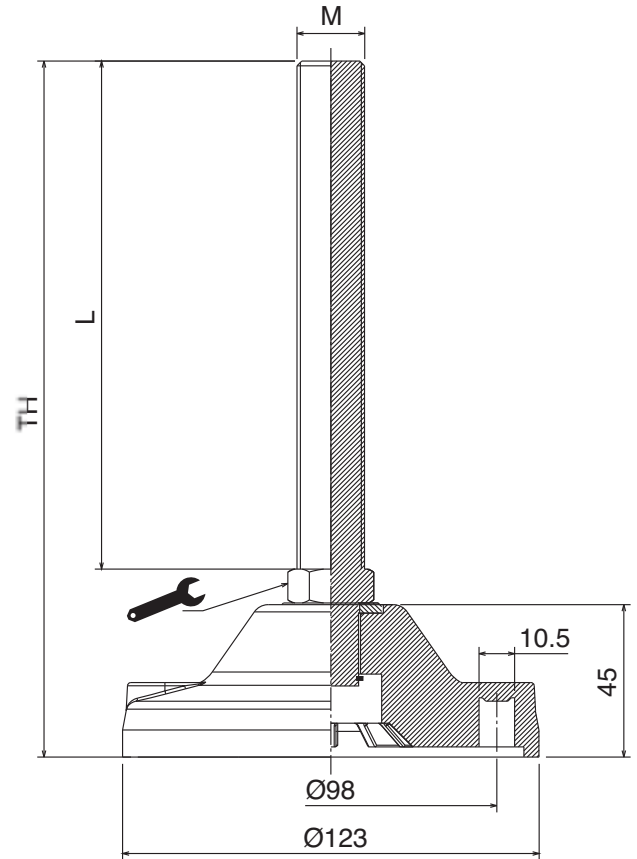
Sp							
Part	SS	FeZn	Sp	TH	L		N
951	95151H	95151ZH	M16	175	115	20	20.000
951	95152H	95152ZH		205	145	20	
951	95153H	95153ZH		255	195	20	
952	95251H	95251ZH	M20	175	115	20	
952	95252H	95252ZH		205	145	20	
952	95253H	95253ZH		255	195	20	



Materiale:	Material:	Materialien:
Basi: Poliammide	Base plate: Polyamide	Fussplatte: Polyamid
Stelo: Acciaio inox o Ferro zincato	Spindle: Stainless steel or Zinc plated steel	Spindel: Edelstahl oder Stahl Verzinkt



Ø123



**ACCESSORI / ACCESSORIES / ZUBEHÖR**

**Gomma anti-scivolo / Anti-slip pad / Gummiplatte**



Part	Article-Nr.	For base
996	99608	Ø123

**Dadi acciaio inox / Stainless steel nuts / Mutter Edelstahl**




Part	Article-Nr.	Spindle
998	99804	M16
998	99805	M20
998	99806	M24

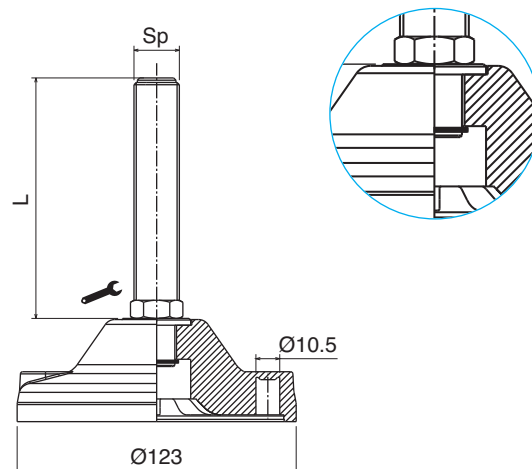
SS: Acciaio inox / Stainless steel / Edelstahl

FeZn: Ferro zincato / Zinc plated steel / Stahl Verzinkt


Piede diam. 123 mm / Leveller diam. 123 mm / Gelenkfuss Diam. 123 mm

WITHOUT ANTISLIP RUBBER

Sp							
Part	SS	FeZn	Sp	TH	L		N
958	95801H	95801ZH	M20	150	98	20	30.000
958	95802H	95802ZH		200	148	20	
958	95803H	95803ZH		250	198	20	
959	95901H	95901ZH	M24	150	98	24	
959	95902H	95902ZH		200	148	24	
959	95903H	95903ZH		250	198	24	




WITH ANTISLIP RUBBER

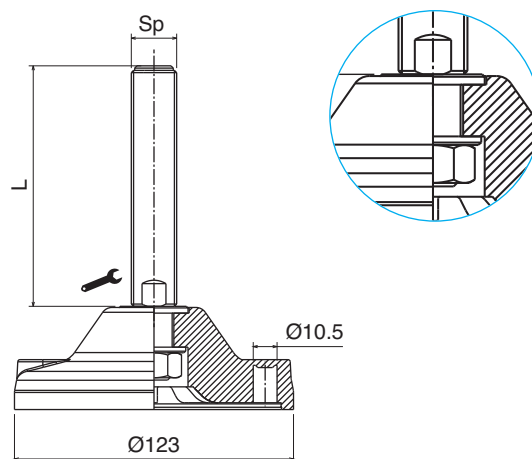
Sp							
Part	SS	FeZn	Sp	TH	L		N
958	95851H	95851ZH	M20	150	98	20	30.000
958	95852H	95852ZH		200	148	20	
958	95853H	95853ZH		250	198	20	
959	95951H	95951ZH	M24	150	98	24	
959	95952H	95952ZH		200	148	24	
959	95953H	95953ZH		250	198	24	




Piede diam. 123 mm / Leveller dia 123 mm - Muscle fixing / Gelenkfuss Diam. 123 mm

WITHOUT ANTISLIP RUBBER

Sp							
Part	SS	FeZn	Sp	TH	L		N
931	93102	93102Z	M20	200	148	16	30.000
931	93103	93103Z		250	198	16	
932	93202	93202Z	M24	200	148	19	
932	93203	93203Z		250	198	19	
933	93302	93302Z	M30	200	148	24	
933	93303	93303Z		250	198	24	




WITH ANTISLIP RUBBER

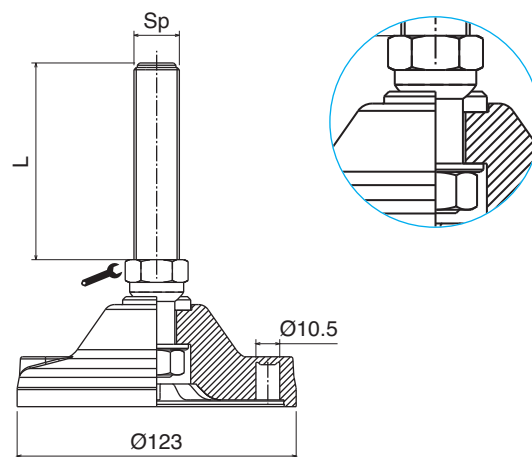
Sp							
Part	SS	FeZn	Sp	TH	L		N
931	93152	93152Z	M20	200	148	16	30.000
931	93153	93153Z		250	198	16	
932	93252	93252Z	M24	200	148	19	
932	93253	93253Z		250	198	19	
933	93352	93352Z	M30	200	148	24	
933	93353	93353Z		250	198	24	




Piede diam. 123 mm / Leveller dia 123 mm - Muscle fixing / Gelenkfuss Diam. 123 mm

WITHOUT ANTISLIP RUBBER

Sp							
Part	SS	FeZn	Sp	TH	L		N
981	98102H	98102ZH	M20	200	148	16	30.000
981	98103H	98103ZH		250	198	16	
982	98202H	98202ZH	M24	200	148	19	
982	98203H	98203ZH		250	198	19	
983	98302H	98302ZH	M30	200	148	24	
983	98303H	98303ZH		250	198	24	

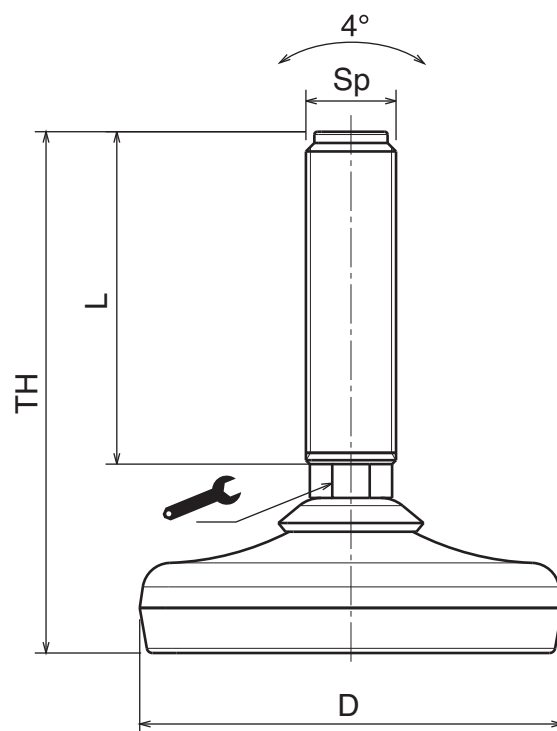


WITH ANTISLIP RUBBER

Sp							
Part	SS	FeZn	Sp	TH	L		N
981	98152H	98152ZH	M20	200	148	16	30.000
981	98153H	98153ZH		250	198	16	
982	98252H	98252ZH	M24	200	148	19	
982	98253H	98253ZH		250	198	19	
983	98352H	98352ZH	M30	200	148	24	
983	98353H	98353ZH		250	198	24	



Materiale:	Material:	Materialien:
Basi, stelo e rondella: Acciaio inox	Base plate, spindle and washer: Stainless steel	Fussplatte, Spindel und Scheibe: Edelstahl





**ACCESSORI / ACCESSORIES / ZUBEHÖR**

**Dadi acciaio inox / Stainless steel nuts / Mutter Edelstahl**





Part	Article-Nr.	Spindle
998	99802	M12
998	99804	M16
998	99805	M20
998	99806	M24
998	99807	M30



Piede diam. 50 mm / Leveller diam. 50 mm / Stellfuss Diam. 50 mm

Part	Article-Nr.	SP	TH	L		
919	91901		75	50	9	
919	91902	M12	100	75	9	
919	91903		150	125	9	
920	92001		90	65	13	
920	92002	M16	140	115	13	3.000
920	92003		190	165	13	
921	92101		90	65	16	
921	92102	M20	115	90	16	
921	92103		165	140	16	



Piede diam. 75 mm / Leveller diam. 75 mm / Stellfuss Diam. 75 mm

Part	Article-Nr.	SP	TH	L		
922	92201		80	50	9	
922	92202	M12	105	75	9	
922	92203		155	125	9	
923	92301		95	65	13	
923	92302	M16	145	115	13	8.000
923	92303		195	165	13	
924	92401		95	65	16	
924	92402	M20	120	90	16	
924	92403		170	140	16	



Piede diam. 125 mm / Leveller diam. 125 mm / Stellfuss Diam. 125 mm

Part	Article-Nr.	SP	TH	L		
928	92801		130	90	16	
928	92802	M20	180	140	16	
928	92803		230	190	16	
929	92901		130	90	19	
929	92902	M24	180	140	19	30.000
929	92903		230	190	19	
930	93001		155	115	24	
930	93002	M30	205	165	24	
930	93003		255	215	24	



Piede diam. 180 mm / Leveller diam. 180 mm / Stellfuss Diam. 180 mm

Part	Article-Nr.	SP	TH	L		
978	97801		125	90	16	
978	97802	M20	175	140	16	
978	97803		225	190	16	
979	97902		125	90	19	
979	97903	M24	175	140	19	3.800
979	97904		225	190	19	
980	98003		225	190	24	
980	98004	M30	285	250	24	
980	98005		335	300	24	



Piede diam. 65 mm / Leveller diam. 65 mm / Stellfuss Diam. 65 mm

Part	Article-Nr.	SP	TH	L		
972	97201		85	50	9	
972	97202	M12	110	75	9	
972	97203		160	125	9	
973	97301		100	65	13	
973	97302	M16	150	115	13	5.000
973	97303		200	165	13	
974	97401		100	65	16	
974	97402	M20	125	90	16	
974	97403		175	140	16	

Piede diam. 100 mm / Leveller diam. 100 mm / Stellfuss Diam. 100 mm

Part	Article-Nr.	SP	TH	L		
925	92501		100	65	13	
925	92502	M16	150	115	13	
925	92503		200	165	13	
926	92601		125	90	16	
926	92602	M20	175	140	16	20.000
926	92603		225	190	16	
927	92701		125	90	19	
927	92702	M24	175	140	19	
927	92703		225	190	19	

Piede diam. 150 mm / Leveller diam. 150 mm / Stellfuss Diam. 150 mm

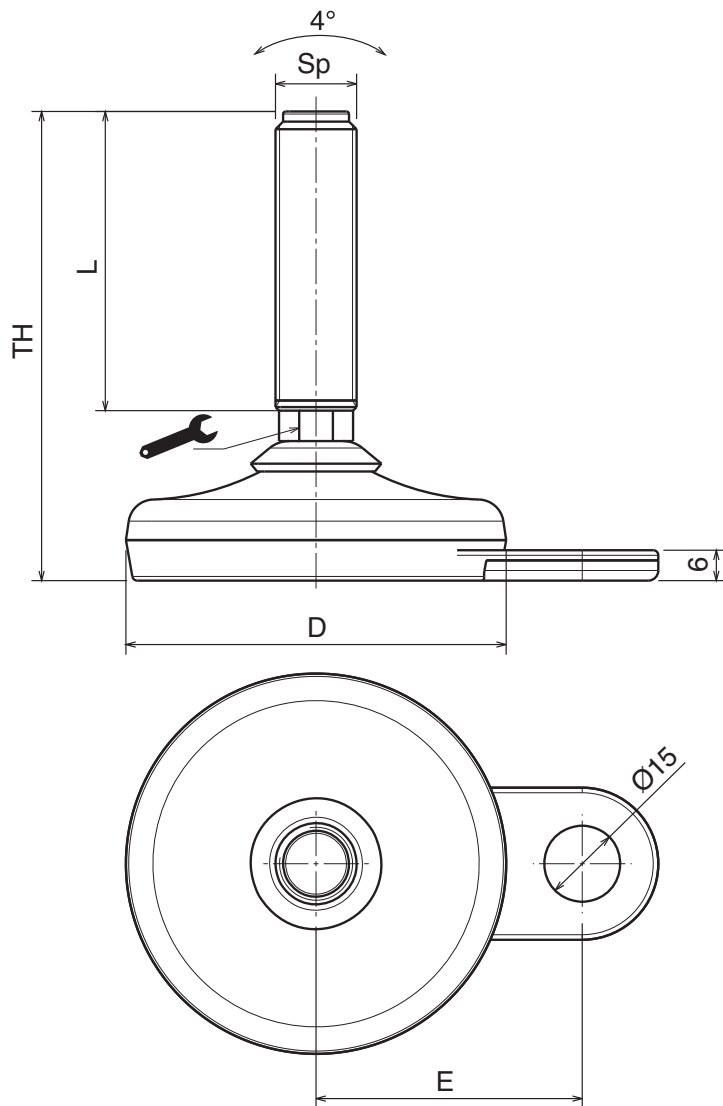
Part	Article-Nr.	SP	TH	L		
975	97501		125	90	16	
975	97502	M20	175	140	16	
975	97503		225	190	16	
976	97601		175	140	19	
976	97602	M24	225	190	19	35.000
976	97603		285	250	19	
977	97702		175	140	24	
977	97703	M30	225	190	24	
977	97704		285	250	24	

# 934-939

## EASY CLEAN



Piede con Foro Fissaggio  
Leveller with Fixing Hole  
Stellfuss mit Befestigungsbohrung

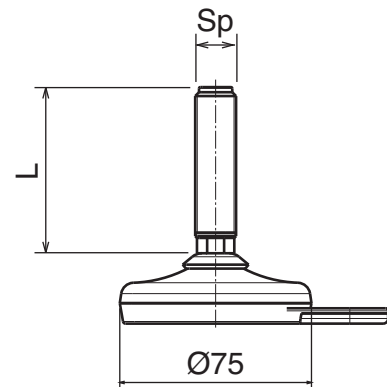
Materiale:	Material:	Materialien:
Basi, stelo e rondella: Acciaio inox	Base plate, spindle and washer: Stainless steel	Fussplatte, Spindel und Scheibe: Edelstahl







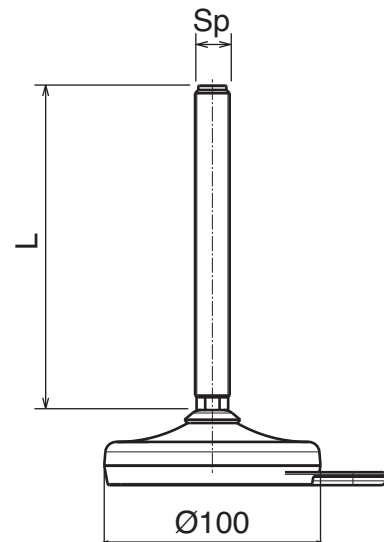
Piede diam. 75 mm con fori fissaggio / Leveller diam. 75 mm with fixing holes  
 Stellfuss diam. 75 mm mit Befestigungsbohrung

Part	Art.-Nr.	Sp	E	TH	L		
934	93401	M12	52,5	80	50	9	8.000
934	93402		52,5	105	75	9	
934	93403		52,5	155	125	9	
935	93501	M16	52,5	95	65	13	
935	93502		52,5	145	115	13	
935	93503		52,5	195	165	13	
936	93601	M20	52,5	95	65	16	
936	93602		52,5	120	90	16	
936	93603		52,5	170	140	16	



Piede diam. 100 mm con fori fissaggio / Leveller diam. 100 mm with fixing holes  
 Stellfuss diam. 100 mm mit Befestigungsbohrung

Part	Art.-Nr.	Sp	E	TH	L		
937	93701	M16	65	100	65	13	20.000
937	93702		65	150	115	13	
937	93703		65	200	165	13	
938	93801	M20	65	125	90	16	
938	93802		65	175	140	16	
938	93803		65	225	190	16	
939	93901	M24	65	125	90	19	
939	93902		65	175	140	19	
939	93903		65	225	190	19	



ACCESSORI / ACCESSORIES / ZUBEHÖR

Dadi acciaio inox / Stainless steel nuts / Mutter Edelstahl

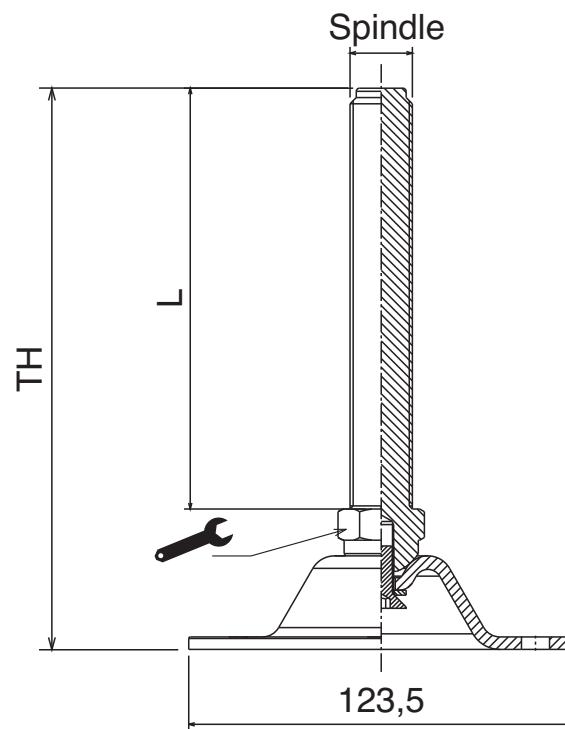


Part	Article-Nr.	Spindle
998	99802	M12
998	99804	M16
998	99805	M20
998	99806	M24

Materiale:	Material:	Materialien:
Acciaio inox o Ferro zincato	Stainless steel or Zinc plated steel	Edelstahl oder Stahl Verzinkt



Ø123



**ACCESSORI / ACCESSORIES / ZUBEHÖR**

**Dadi acciaio inox / Stainless steel nuts / Mutter Edelstahl**



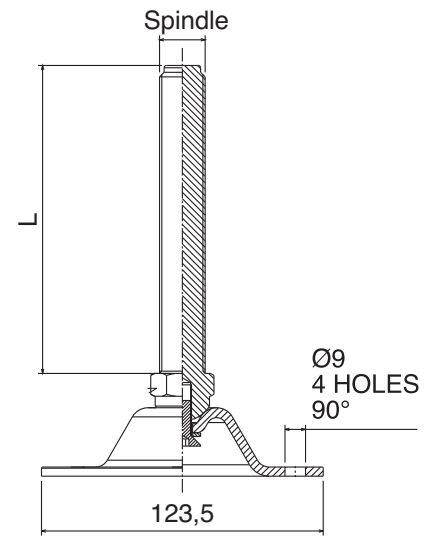
Part	Article-Nr.	Spindle
998	99804	M16
998	99805	M20
998	99806	M24
998	99807	M30

SS: Acciaio inox / Stainless steel / Edelstahl

FeZn: Ferro zincato / Zinc plated steel / Stahl Verzinkt

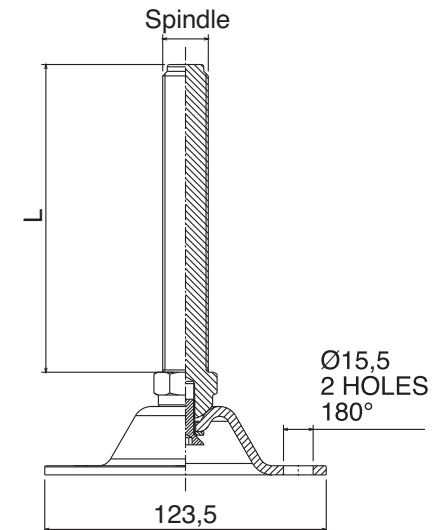
Piede diam. 123 mm con 4 fori 90° / Leveller diam. 123 mm with 4 holes 90°  
Stellfuss diam. 123 mm mit 4 Befestigungsbohrung 90°

Part	Sp		Sp	TH	L	N	Wrench	Nut
	SS	FeZn						
960	P96001H	P96001ZH	M16	155	115	20	10.000	
960	P96002H	P96002ZH		175	135	20		
961	P96101H	P96101ZH	M20	155	115	24		
961	P96102H	P96102ZH		175	135	24		
962	P96201H	P96201ZH	M24	170	125	24		
962	P96202H	P96202ZH		230	185	24		
963	P96301H	P96301ZH	M30	170	125	30		
963	P96302H	P96302ZH		230	185	30		



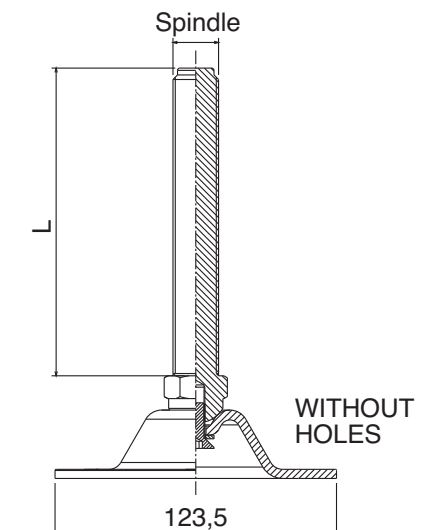
Piede diam. 123 mm con 2 fori 180° / Leveller diam. 123 mm with 2 holes 180°  
Stellfuss diam. 123 mm mit 2 Befestigungsbohrung 180°

Part	Sp		Sp	TH	L	N	Wrench	Nut
	SS	FeZn						
964	P96401H	P96401ZH	M16	155	115	20	10.000	
964	P96402H	P96402ZH		175	135	20		
965	P96501H	P96501ZH	M20	155	115	24		
965	P96502H	P96502ZH		175	135	24		
966	P96601H	P96601ZH	M24	170	125	24		
966	P96602H	P96602ZH		230	185	24		
967	P96701H	P96701ZH	M30	170	125	30		
967	P96702H	P96702ZH		230	185	30		



Piede diam. 123 mm senza fori / Leveller diam. 123 mm without holes  
Stellfuss diam. 123 mm ohne Befestigungsbohrung

Part	Sp		Sp	TH	L	N	Wrench	Nut
	SS	FeZn						
968	P96801H	P96801ZH	M16	155	115	20	10.000	
968	P96802H	P96802ZH		175	135	20		
969	P96901H	P96901ZH	M20	155	115	24		
969	P96902H	P96902ZH		175	135	24		
970	P97001H	P97001ZH	M24	170	125	24		
970	P97002H	P97002ZH		230	185	24		
971	P97101H	P97101ZH	M30	170	125	30		
971	P97102H	P97102ZH		230	185	30		



[www.moveexii.com](http://www.moveexii.com)

## CHEMICAL RESISTANCES

Chemical Agent up to 65°C	Polyamide	Steel	Stainless Steel Aisi 304	Stainless Steel Aisi 430	<i>LF</i>	<i>MK</i>	<i>MX</i>	UHMW PE	PP/PPX
Acetone	G	U	G	G	G	G	A	G	G
Acetic acid (max. 5%)	U	U	G	U	U	U	G	G	G
Alcohol	G	G	G	G	G	G	G	G	G
Ammonia	G	A	G	G	U	U	A	G	G
Beer	G	G	G	G	G	G	G	G	G
Benzene	G	G	G	G	G	G	U	A	G
Benzol	G	G	G	G	G	G	G	G	A
Carbon tetrachloride	G	A	A	A	G	G	/	A	U
Chocolat	A	G	G	G	G	G	G	A	G
Citric acid	A	U	G	A	A	A	G	G	G
Formic acid	U	G	G	G	G	G	A	G	\
Fresh water	G	U	G	G	G	G	G	G	G
Fruit juices	G	U	G	A	G	G	G	G	G
Hydrochloric acid (max.2%)	U	U	U	U	U	U	A	A	G
Hydrogen peroxide	U	U	G	A	U	U	/	A	\
Iodine	U	A	A	A	A	A	/	A	\
Lactic acid	G	U	G	U	G	G	G	G	G
Milk	G	G	G	G	G	G	G	G	G
Mustard	A	G	G	G	A	A	/	A	G
Nitric acid	U	U	G	A	U	U	U	A	G
Oil (vegetable or mineral)	G	G	G	G	G	G	U	G	G
Paraffin	G	G	G	G	G	G	G	G	\
Petrol	G	G	G	G	G	G	G	A	G
Phosphoric acid (max10%)	U	U	G	U	U	U	U	G	G
Sea water	U	A	G	A	G	G	G	G	G
Soap and water	G	A	G	G	G	G	G	G	G
Sodium hydrochloride	G	U	A	U	G	G	A	G	G
Sodium hydroxide (max.25%)	G	U	G	G	U	U	U	G	\
Sodium hypochlorite	G	U	U	U	U	U	A	G	G
Soft Drinks	G	G	G	G	G	G	G	G	G
Spirits	G	G	G	G	G	G	G	G	G
Sulphide acid	U	U	U	U	U	U	G	U	G
Toluene	U	U	U	U	G	G	G	A	G
Turpentine	U	G	G	G	U	U	G	A	\
Vegetable juices	G	A	G	G	G	G	G	G	G
Vinegar	G	U	A	U	G	G	G	G	G
Whisky	G	G	G	G	G	G	G	G	G
Wine	G	G	G	G	G	G	G	G	G
Xilol	U	U	U	U	U	U	G	U	U

G=good  
A=average  
U=unsatisfactory



# Index

100003-30	140	10140102	11	10302	126	10802	135	11140107	23
10010102	8	10140103	11	103103	133	10802C	135	11140108	23
10010103	8	10140104	11	103103C	133	10901	136	11140109	23
10010104	8	☒10140105	11	103203	133	10901C	136	11150107	22
10010105	8	10140107	11	103203C	133	10902	136	11150108	22
10010106	8	10140202	11	103303	134	10902C	136	11150109	22
10010107	8	10140203	11	103303C	134	11001	136	11160107	23
10010202	8	10140205	11	103403	134	11001C	136	11160108	23
10010203	8	10140207	11	103403C	134	11002	136	11160109	23
10010204	8	101403	129	103503	134	11002C	136	11170107	22
10010205	8	101403C	129	103503C	134	11010102	14	11170108	22
10010206	8	101503	129	103600B	150	11010103	14	11170109	22
10010207	8	101503C	129	103700B	150	11010104	14	11180107	24
100103-30	140	10160102	11	103803	128	11010105	14	11180108	24
10010302	8	10160104	11	103923	164	11010106	14	11180109	24
10010303	8	10160105	11	103923C	164	11010107	14	11190102	18
10020202	12	10160107	11	10401	127	11010114	14	11190105	18
100203-30	140	101603	129	10402	127	11020102	14	11200102	25
10030107	8	101603C	129	104103	154	11020103	14	11200202	25
10030207	8	101703	129	104103C	154	11030102	15	11200302	25
100303-30	140	101703-30	129	104203	154	11030105	15	11201	136
10040207	12	101703C	129	104203C	154	11030107	15	11201C	136
100403-30	140	10180107	11	104303	154	11040107	15	11202	136
10050107	9	101803	130	104303C	154	11040108	15	11202C	136
100603-30	141	101803C	130	104403	155	11040109	15	11210102	25
10070100	9	101903	130	104403C	155	11050107	16	11210202	25
10070101	9	101903C	130	104503	155	11050108	16	11210302	25
10070108	9	102003	130	104503C	155	11050109	16	11220400	26
10070109	9	102003C	130	10501	135	11060107	16	11230400	26
100703	142	10201	126	10502	135	11060108	16	11240102	19
100703B	142	10202	126	10503	135	11060109	16	11240105	19
10080102	10	102103	131	10504	135	11070107	17	11250102	19
10080103	10	102103-30	131	10505	135	11070108	17	11250105	19
10080105	10	102103-75	131	10506	135	11070109	17	11280102	25
10080107	10	102103C	131	10507	135	11080107	17	11280202	25
10080202	10	102203	131	10508	135	11080108	17	11280302	25
10080203	10	102203-30	131	105203	139	11080109	17	11290102	25
10080205	10	102203C	131	105203C	139	11090107	18	11290202	25
10080207	10	102303	131	105303	155	11090108	18	11290302	25
100803	142	102303C	131	105303C	155	11090109	18	11301	165
10080302	10	102403	131	105403	155	11100102	20	11302	165
10080303	10	102403-30	131	105403C	155	11100103	20	11401	165
100803B	142	102403C	131	105501	157	11100105	20	11402	165
100903-30	142	102503	132	105501C	157	11101	138	11501	166
10100102	10	102503-30	132	105502	157	11101C	138	11502	166
10100105	10	102503C	132	105502C	157	11102	138	11510103	105
10100107	10	102603	132	105503	157	11102C	138	11510105	105
10100202	10	102603C	132	105503C	157	11110102	20	11520103	106
101003-30	143	102703	132	105504	157	11110103	20	11520105	106
10101	126	102703C	132	105504C	157	11110105	20	11530103	106
10102	126	102803	132	10596	135	11120102	21	11530105	106
101103-30	143	102803C	132	10601	135	11120103	21	11540103	105
10120102	10	102903	133	10602	135	11120105	21	11540105	105
10120105	10	102903C	133	10701	135	11130107	21	11601	166
10120107	10	103003	133	10702	135	11130108	21	11602	166
101203-30	143	103003C	133	10801	135	11130109	21	11701	156
101303	143	10301	126	10801C	135	11140105	23	11701C	156

11702	156	14563	147	150551	111	151452	113	15263	144
11702C	156	14567	147	150552	111	151453	113	152651	115
11801	138	14601	145	150553	111	151454	113	152652	115
11801C	138	14601C	145	150554	111	15201	144	152653	115
11802	138	14663	145	150601	111	15201C	144	152654	115
11802C	138	14667	145	150602	111	152101	114	15267	144
11901	144	14701	136	150603	111	152102	114	152701	115
11901C	144	14701C	136	150604	111	152103	114	152702	115
11963	144	14801	137	150606	111	152104	114	152703	115
11967	144	14801C	137	150607	111	152106	114	152704	115
12001	144	14950	138	150608	111	152107	114	152706	115
12001C	144	14950C	138	150651	111	152108	114	152707	115
12063	144	14952	138	150652	111	152150	114	152708	115
12067	144	14952C	138	150653	111	152151	114	152751	115
12101	144	15001	128	150654	111	152152	114	152752	115
12101C	144	15002	128	150701	111	152153	114	152753	115
12163	144	150101	110	150702	111	152154	114	152754	115
12167	144	150102	110	150703	111	152201	114	152801	115
12201	145	150103	110	150704	111	152202	114	152802	115
12201C	145	150104	110	150706	111	152203	114	152803	115
12263	145	150106	110	150707	111	152204	114	152804	115
12267	145	150107	110	150708	111	152206	114	152806	115
12301	145	150108	110	150751	111	152207	114	152807	115
12301C	145	150150	110	150752	111	152208	114	152808	115
12363	145	150151	110	150753	111	152250	114	152851	115
12367	145	150152	110	150754	111	152251	114	152852	115
12401	146	150153	110	151101	113	152252	114	152853	115
12401C	146	150154	110	151102	113	152253	114	152854	115
12463	146	150201	110	151103	113	152254	114	15303-30	141
12467	146	150202	110	151104	113	152301	114	153101	116
13001	148	150203	110	151106	113	152302	114	153102	116
13001C	148	150204	110	151107	113	152303	114	153103	116
13101	148	150206	110	151108	113	152304	114	153104	116
13101B	148	150207	110	151150	113	152306	114	153106	116
13301	137	150208	110	151151	113	152307	114	153107	116
13301C	137	150250	110	151152	113	152308	114	153108	116
13302	137	150251	110	151153	113	152350	114	153150	116
13302C	137	150252	110	151154	113	152351	114	153151	116
13401	153	150253	110	151201	113	152352	114	153152	116
13401C	153	150254	110	151202	113	152353	114	153153	116
1348	104	150301	110	151203	113	152354	114	153154	116
13501	156	150302	110	151204	113	152401	114	153201	116
13501C	156	150303	110	151206	113	152402	114	153202	116
13601	156	150304	110	151207	113	152403	114	153203	116
13601C	156	150306	110	151208	113	152404	114	153204	116
13701	156	150307	110	151250	113	152406	114	153206	116
13701B	156	150308	110	151251	113	152407	114	153207	116
13701BC	156	150350	110	151252	113	152408	114	153208	116
13701C	156	150351	110	151253	113	152450	114	153250	116
14001	145	150352	110	151254	113	152451	114	153251	116
14001C	145	150353	110	151301	113	152452	114	153252	116
14063	145	150354	110	151302	113	152453	114	153253	116
14067	145	150401	110	151303	113	152454	114	153254	116
14101	146	150402	110	151304	113	152501	115	153301	116
14101C	146	150403	110	151306	113	152502	115	153302	116
14163	146	150404	110	151307	113	152503	115	153303	116
14167	146	150406	110	151308	113	152504	115	153304	116
14201	146	150407	110	151350	113	152506	115	153306	116
14201C	146	150408	110	151351	113	152507	115	153307	116
14263	146	150450	110	151352	113	152508	115	153308	116
14267	146	150451	110	151353	113	152551	115	153350	116
14301	146	150452	110	151354	113	152552	115	153351	116
14301C	146	150453	110	151401	113	152553	115	153352	116
14363	146	150454	110	151402	113	152554	115	153353	116
14367	146	150501	111	151403	113	152601	115	153354	116
14401	147	150502	111	151404	113	152602	115	153401	116
14401C	147	150503	111	151406	113	152603	115	153402	116
14463	147	150504	111	151407	113	152604	115	153403	116
14467	147	150506	111	151408	113	152606	115	153404	116
14503	147	150507	111	151450	113	152607	115	153406	116
14503C	147	150508	111	151451	113	152608	115	153407	116



153408	116	154254	118	156103	109	157304	120	160111	108
153450	116	154301	118	156104	109	157350	120	160201	108
153451	116	154302	118	156106	109	157351	120	160206	108
153452	116	154303	118	156107	109	157352	120	160301	108
153453	116	154304	118	156108	109	157353	120	160302	108
153454	116	154350	118	156150	109	157354	120	160303	108
153501	117	154351	118	156151	109	157401	120	160304	108
153502	117	154352	118	156152	109	157402	120	160306	108
153503	117	154353	118	156153	109	157403	120	160307	108
153504	117	154354	118	156154	109	157404	120	160308	108
153506	117	154501	119	156201	109	157450	120	16103	152
153507	117	154502	119	156202	109	157451	120	16103C	152
153508	117	154503	119	156203	109	157452	120	16202	152
153551	117	154504	119	156204	109	157453	120	16202C	152
153552	117	154506	119	156206	109	157454	120	16203	152
153553	117	154507	119	156207	109	15800	158	16203C	152
153554	117	154508	119	156208	109	15800B	158	16303	152
153601	117	154551	119	156250	109	15800BC	158	16303C	152
153602	117	154552	119	156251	109	15800C	158	16313	152
153603	117	154553	119	156252	109	15801	158	16313C	152
153604	117	154554	119	156253	109	15801B	158	16323	152
153606	117	154601	119	156254	109	15801BC	158	16323C	152
153607	117	154602	119	156301	109	15801C	158	16324	152
153608	117	154603	119	156302	109	15802	158	16324C	152
153651	117	154604	119	156303	109	15802B	158	16401	152
153652	117	154606	119	156304	109	15802BC	158	16401C	152
153653	117	154607	119	156306	109	15802C	158	16501	152
153654	117	154608	119	156307	109	15803	158	16501C	152
153701	117	154651	119	156308	109	15803B	158	16601	164
153702	117	154652	119	156350	109	15803BC	158	16602	164
153703	117	154653	119	156351	109	15803C	158	16603	164
153704	117	154654	119	156352	109	158101E	112	16604	164
153706	117	154701	119	156353	109	158106E	112	16700B-30	151
153707	117	154702	119	156354	109	158150E	112	16700B-75	151
153708	117	154703	119	156401	109	158151E	112	16801B	150
153751	117	154704	119	156402	109	158201E	112	16802B	150
153752	117	154706	119	156403	109	158202E	112	16901B	150
153753	117	154707	119	156404	109	158206E	112	16902B	150
153754	117	154708	119	156406	109	158207E	112	17001B	150
153801	117	154751	119	156407	109	158250E	112	17002B	150
153802	117	154752	119	156408	109	158251E	112	17100B	151
153803	117	154753	119	156450	109	158252E	112	17200B	151
153804	117	154754	119	156451	109	158301	112	17300B	151
153806	117	15501	153	156452	109	158302	112	17401	128
153807	117	15501C	153	156453	109	158303	112	17401C	128
153808	117	155104	121	156454	109	158304	112	17402	128
153851	117	155105	121	15701	137	158306	112	17402C	128
153852	117	155106	121	15701C	137	158307	112	17501	127
153853	117	155107	121	15702	137	158308	112	17502	127
153854	117	155108	121	15702C	137	158350	112	17601	126
15401	153	155204	121	157101	120	158351	112	17602	126
15401B	153	155206	121	157102	120	158352	112	17701	138
15401BC	153	155207	121	157103	120	158353	112	17701C	138
15401C	153	155208	121	157104	120	158354	112	17702	138
154101	118	155306	121	157150	120	158401	112	17702C	138
154102	118	155307	121	157151	120	158402	112	17801	138
154103	118	155308	121	157152	120	158403	112	17801C	138
154104	118	155309	121	157153	120	158404	112	17802	138
154150	118	155310	121	157154	120	158406	112	17802C	138
154151	118	155311	121	157201	120	158407	112	17901	127
154152	118	155905	121	157202	120	158408	112	17901C	127
154153	118	155908	121	157203	120	158450	112	17902	127
154154	118	155909	121	157204	120	158451	112	17902C	127
154201	118	155910	121	157250	120	158452	112	18003	139
154202	118	155912	121	157251	120	158453	112	18003C	139
154203	118	15601	136	157252	120	158454	112	18103	139
154204	118	15601C	136	157253	120	15901	157	18103C	139
154250	118	15602	136	157254	120	15901C	157	18200B	159
154251	118	15602C	136	157301	120	16003	152	18200BC	159
154252	118	156101	109	157302	120	16003C	152	18204	159
154253	118	156102	109	157303	120	160101	108	18204C	159

18210B	159	20352	169	22203	170	30710	181	32703	190
18210BC	159	20353	169	22251	170	30801	181	32801	191
18214	159	20401	169	22252	170	30802	181	32811	191
18214C	159	20402	169	22253	170	30803	181	32901	191
18220B	159	20403	169	22301	171	30804	181	32902	191
18220BC	159	20451	169	22302	171	30805	181	32903	191
18224	159	20452	169	22303	171	30806	181	33001	191
18224C	159	20453	169	22351	171	30901	182	33002	191
18301	164	20701	174	22352	171	30902	182	33003	191
18301B	164	20702	174	22353	171	30903	182	33004	191
18301BC	164	20703	174	22401	170	30904	182	33101	193
18301C	164	20704	174	22402	170	30905	182	33102	193
18401	147	20705	174	22403	170	30906	182	33103	193
18401C	147	20706	174	22451	170	31001	182	33301	202
18463	147	20707	174	22452	170	31002	182	33701	194
18467	147	20708	174	22453	170	31003	182	33702	194
18500B	162	20709	174	22501	171	31004	182	33801	194
18500BC	162	20801	172	22502	171	31005	182	33802	194
18504	162	20802	172	22503	171	31006	182	33901	194
18504C	162	20803	172	22551	171	31101	183	33902	194
18520B	162	20901	172	22552	171	31102	183	33903	194
18520BC	162	20902	172	22553	171	31103	183	34501	193
18524	162	20903	172	22601	170	31104	183	34502	193
18524C	162	21001	173	22602	170	31105	183	34503	193, 196
18600B	163	21002	173	22603	170	31106	183	34553	196
18600BC	163	21003	173	22651	170	31109	183	34602	197
18604	163	21101	173	22652	170	31110	183	34603	197
18604C	163	21102	173	22653	170	31201	183	34699	197
18620B	163	21103	173	22701	171	31202	183	34701	196
18620BC	163	21301	174	22702	171	31203	183	34702	196
18624	163	21302	174	22703	171	31204	183	34703	196
18624C	163	21303	174	22751	171	31205	183	34751	196
18720B	161	21501	175	22752	171	31206	183	34752	196
18720BC	161	21501Y	175	22753	171	31301	185	34753	196
18724	161	21502	175	22801	81	31302	185	34801	196
18724C	161	21503	175	22802	81	31303	185	34802	196
18801C	148	21503Y	175	22803	81	31311	185	34851	196
18900B	160	21504	175	22804	81	31312	185	34852	196
18900BC	160	21505	175	22805	81	31313	185	34901	195, 197
18904	160	21505Y	175	22806	81	31401	185	34902	195
18904C	160	21506	175	30101	179	31402	185	34903	195
18910B	160	21506Y	175	30102	179	31403	185	35001	195
18910BC	160	21507	175	30103	179	31409	185	35002	195
18914	160	21508	175	30104	179	31410	185	35003	195
18914C	160	21508Y	175	30105	179	31411	185	35101	195
18920B	160	21701	175	30106	179	31412	185	35102	195
18920BC	160	21702	175	30201	179	31413	185	35103	195
18924	160	21703	175	30202	179	31414	185	35151	195
18924C	160	21704	175	30203	179	31419	185	35152	195
19200B	151	21705	175	30204	179	31420	185	35153	195
19320B	161	21901	168	30205	179	31421	185	35201	195
19320BC	161	21902	168	30206	179	31501	186	35202	195
19324	161	21903	168	30501	180	31502	186	35203	195
19324C	161	21951	168	30502	180	31601	186	35251	195
19999	148	21952	168	30503	180	31602	186	35252	195
20101	168	21953	168	30504	180	31701	187	35253	195
20102	168	22001	169	30505	180	31797	187	35301	203
20103	168	22002	169	30506	180	31798	187	35302	203
20151	168	22003	169	30601	180	31799	187	35303	203
20152	168	22051	169	30602	180	31801	187	35401	203
20153	168	22052	169	30603	180	31901	188	35402	203
20201	168	22053	169	30604	180	32001	188	35403	203
20202	168	22101	175	30605	180	32002	188	35501	203
20203	168	22101Y	175	30606	180	32101	189	35502	203
20251	168	22102	175	30701	181	32201	189	35503	203
20252	168	22102Y	175	30702	181	32301	189	35601	197
20253	168	22103	175	30703	181	32401	190	35602	197
20301	169	22104	175	30704	181	32501	190	35603	197
20302	169	22104Y	175	30705	181	32601	190	35701	197
20303	169	22201	170	30706	181	32701	190	35702	197
20351	169	22202	170	30709	181	32702	190	35703	197

35800	202	37602	215	40201	220	41544	230	41622	231
35802	198	37603	215	40202	220	41545	230	41623	231
35804	198	37611	215	40203	220	41546	230	41624	231
35806	198	37612	215	40204	220	41547	230	41625	231
35900	202	37613	215	40205	220	41548	230	41626	231
35902	198	37621	215	40206	220	41549	230	41627	231
35904	198	37622	215	40301	221	41550	230	41628	231
35906	198	37623	215	40302	221	41551	230	41629	231
36000	202	37701	212	40303	221	41552	230	41630	231
36002	199	37702	212	40304	221	41553	230	41631	231
36004	199	37703	212	40305	221	41554	230	41632	231
36006	199	37801	212	40306	221	41555	230	41633	231
36100	202	37802	212	40401	221	41556	230	41634	231
36102	199	37803	212	40402	221	41557	230	41635	231
36104	199	37901	213	40405	221	41558	230	41636	231
36106	199	37902	213	40701	222	41559	230	41637	231
36201	202	37903	213	40702	222	41560	230	41638	231
36202	202	38001	213	40801	222	41561	230	41639	231
36203	202	38002	213	40901	223	41562	230	41640	231
36301	204	38003	213	41001	224	41563	230	41641	231
36302	204	38101	214	41002	224	41564	230	41642	231
36303	204	38102	214	41101	224	41565	230	41643	231
36304	204	38103	214	41102	224	41566	230	41644	231
36401	198	38104	214	41301	227	41567	230	41645	231
36411	198	38201	214	41302	227	41568	230	41646	231
36421	201	38202	214	41303	227	41569	230	41647	231
36422	201	38203	214	41401	228	41570	230	41648	231
36423	201	38301	209	41402	228	41571	230	41649	231
36501	198	38302	209	41501	230	41572	230	41650	231
36511	198	38401	209	41502	230	41573	230	41651	231
36521	201	38402	209	41503	230	41574	230	41652	231
36522	201	38501	210	41504	230	41575	230	41653	231
36523	201	38601	210	41505	230	41576	230	41654	231
36601	199	38602	210	41506	230	41577	230	41655	231
36611	199	38701	217	41507	230	41578	230	41656	231
36621	200	38702	217	41508	230	41579	230	41657	231
36622	200	38703	217	41509	230	41580	230	41658	231
36623	200	38704	217	41510	230	41581	230	41659	231
36701	199	38705	217	41511	230	41582	230	41660	231
36711	199	38706	217	41512	230	41583	230	41661	231
36721	200	38707	217	41513	230	41584	230	41662	231
36722	200	38708	217	41514	230	41585	230	41663	231
36723	200	38709	217	41515	230	41586	230	41664	231
36801	206	38801	217	41516	230	41587	230	41665	231
36801SS	206	38901	104	41517	230	41588	230	41666	231
36802	206	38902	104	41518	230	41589	230	41667	231
36802SS	206	39001	191	41519	230	41590	230	41668	231
36803	206	39101	216	41520	230	41591	230	41669	231
36803SS	206	39102	216	41521	230	41592	230	41670	231
36901	206	39103	216	41522	230	41593	230	41671	231
36901SS	206	39104	216	41523	230	41601	231	41672	231
36902	206	39201	192	41524	230	41602	231	41673	231
36902SS	206	39202	192	41525	230	41603	231	41674	231
36903	206	39203	192	41526	230	41604	231	41675	231
36903SS	206	39401	192	41527	230	41605	231	41676	231
37001	207	39402	192	41528	230	41606	231	41677	231
37002	207	39501	202	41529	230	41607	231	41678	231
37003	207	39601	205	41530	230	41608	231	41679	231
37101	207	39602	205	41531	230	41609	231	41680	231
37102	207	39701	210	41532	230	41610	231	41681	231
37103	207	39702	210	41533	230	41611	231	41682	231
37201	208	39703	210	41534	230	41612	231	41683	231
37202	208	39860	184	41535	230	41613	231	41684	231
37203	208	39861	184	41536	230	41614	231	41685	231
37301	208	39862	184	41537	230	41615	231	41686	231
37302	208	39870	184	41538	230	41616	231	41687	231
37401	211	39871	184	41539	230	41617	231	41688	231
37402	211	39872	184	41540	230	41618	231	41689	231
37501	211	40101	220	41541	230	41619	231	41690	231
37502	211	40102	220	41542	230	41620	231	41701	227
37601	215	40105	220	41543	230	41621	231	41702	227

41801	233	50301G	43	50954	31	51754	32	52402	34
41802	233	50302	30	51001	31	51801	33	52402G	44
41803	233	50302G	43	51002	31	51802	33	52403	34
41804	233	50303	30	51003	31	51803	33	52403G	44
41805	233	50303G	43	51004	31	51804	33	52404	34
41806	233	50304	30	51051	31	51851	33	52404G	44
41807	233	50304G	43	51052	31	51852	33	52450	34
41808	233	50350	30	51053	31	51853	33	52451	34
41901	229	50351	30	51054	31	51854	33	52452	34
41902	229	50352	30	51101	32	51901	33	52453	34
41903	229	50353	30	51102	32	51902	33	52454	34
41904	229	50354	30	51103	32	51903	33	52501	34
41905	229	50401	30	51104	32	51904	33	52501G	44
41906	229	50401G	43	51150	32	51951	33	52502	34
41913	229	50402	30	51151	32	51952	33	52502G	44
41914	229	50402G	43	51152	32	51953	33	52503	34
41915	229	50403	30	51153	32	51954	33	52503G	44
41916	229	50403G	43	51154	32	52001	33	52504	34
42001	229	50404	30	51201	32	52002	33	52504G	44
42002	229	50404G	43	51202	32	52003	33	5251	88
42003	229	50450	30	51203	32	52004	33	5253	89
42004	229	50451	30	51204	32	5201	82	5255	90
42005	229	50452	30	51250	32	5202	83	52550	34
42006	229	50453	30	51251	32	5203	84	52551	34
42015	229	50454	30	51252	32	5204	85	52552	34
42016	229	50501	30	51253	32	52051	33	52553	34
42101	234	50501G	43	51254	32	52052	33	52554	34
42102	234	50502	30	51301	32	52053	33	52601	34
42103	234	50502G	43	51302	32	52054	33	52602	34
42104	234	50503	30	51303	32	52101	34	52603	34
42105	234	50503G	43	51304	32	52102	34	52604	34
42106	234	50504	30	51350	32	52103	34	52650	34
42201	234	50504G	43	51351	32	52104	34	52651	34
42202	234	50550	30	51352	32	52150	34	52652	34
42301	234	50551	30	51353	32	52151	34	52653	34
42401	234	50552	30	51354	32	52152	34	52654	34
42501	226	50553	30	51401	32	52153	34	52701	34
42601	225	50554	30	51402	32	52154	34	52702	34
42701	226	50601	30	51403	32	52201	34	52703	34
42702	226	50602	30	51404	32	52202	34	52704	34
42801	232	50603	30	51450	32	52203	34	52750	34
42802	232	50604	30	51451	32	52204	34	52751	34
42803	232	50650	30	51452	32	5221	94	52752	34
42804	232	50651	30	51453	32	5222	96	52753	34
42805	232	50652	30	51454	32	5223	97	52754	34
42806	232	50653	30	51501	32	5225	98	52801	35
42807	232	50654	30	51502	32	52250	34	52802	35
42808	232	50701	30	51503	32	52251	34	52803	35
42901	232	50702	30	51504	32	52252	34	52804	35
42902	232	50703	30	51550	32	52253	34	52850	35
43001	232	50704	30	51551	32	52254	34	52851	35
43002	232	50750	30	51552	32	5226	95	52852	35
50101	30	50751	30	51553	32	52301	34	52853	35
50102	30	50752	30	51554	32	52301G	44	52854	35
50103	30	50753	30	51601	32	52302	34	52901	35
50104	30	50754	30	51602	32	52302G	44	52902	35
50150	30	50801	31	51603	32	52303	34	52903	35
50151	30	50802	31	51604	32	52303G	44	52904	35
50152	30	50803	31	51650	32	52304	34	52950	35
50153	30	50804	31	51651	32	52304G	44	52951	35
50154	30	50851	31	51652	32	5231	99	52952	35
50201	30	50852	31	51653	32	5233	100	52953	35
50202	30	50853	31	51654	32	5234	102	52954	35
50203	30	50854	31	51701	32	5235	101	53001	35
50204	30	50901	31	51702	32	52350	34	53001G	43
50250	30	50902	31	51703	32	52351	34	53002	35
50251	30	50903	31	51704	32	52352	34	53002G	43
50252	30	50904	31	51750	32	52353	34	53003	35
50253	30	50951	31	51751	32	52354	34	53003G	43
50254	30	50952	31	51752	32	52401	34	53004	35
50301	30	50953	31	51753	32	52401G	44	53004G	43

5301	87	53653	36	54304	37	55152	40	55953	42
53050	35	53654	36	54351	37	55153	40	55954	42
53051	35	53701	36	54352	37	55154	40	56001	42
53052	35	53701G	44	54353	37	55201	40	56002	42
53053	35	53702	36	54354	37	55202	40	56003	42
53054	35	53702G	44	54401	37	55203	40	56004	42
53101	35	53703	36	54402	37	55204	40	56050	42
53101G	43	53703G	44	54403	37	55250	40	56051	42
53102	35	53704	36	54404	37	55251	40	56052	42
53102G	43	53704G	44	54451	37	55252	40	56053	42
53103	35	53750	36	54452	37	55253	40	56054	42
53103G	43	53751	36	54453	37	55254	40	56101	42
53104	35	53752	36	54454	37	55301	40	56102	42
53104G	43	53753	36	54501	38	55302	40	56103	42
5311	86	53754	36	54502	38	55303	40	56104	42
53150	35	53801	36	54503	38	55304	40	56150	42
53151	35	53801G	44	54504	38	55350	40	56151	42
53152	35	53802	36	54550	38	55351	40	56152	42
53153	35	53802G	44	54551	38	55352	40	56153	42
53154	35	53803	36	54552	38	55353	40	56154	42
53201	35	53803G	44	54553	38	55354	40	56201	42
53201G	43	53804	36	54554	38	55401	40	56202	42
53202	35	53804G	44	54601	38	55402	40	56203	42
53202G	43	53850	36	54602	38	55403	40	56204	42
53203	35	53851	36	54603	38	55404	40	56250	42
53203G	43	53852	36	54604	38	55450	40	56251	42
53204	35	53853	36	54650	38	55451	40	56252	42
53204G	43	53854	36	54651	38	55452	40	56253	42
5321	91	53901	36	54652	38	55453	40	56254	42
5323	92	53901G	44	54653	38	55454	40	56301	42
5325	93	53902	36	54654	38	55501	41	56302	42
53250	35	53902G	44	54701	38	55502	41	56303	42
53251	35	53903	36	54702	38	55503	41	56304	42
53252	35	53903G	44	54703	38	55504	41	56350	42
53253	35	53904	36	54704	38	55551	41	56351	42
53254	35	53904G	44	54750	38	55552	41	56352	42
53301	35	53950	36	54751	38	55553	41	56353	42
53302	35	53951	36	54752	38	55554	41	56354	42
53303	35	53952	36	54753	38	55601	41	56401	42
53304	35	53953	36	54754	38	55602	41	56402	42
5331	80	53954	36	54801	38	55603	41	56403	42
53350	35	54001	36	54802	38	55604	41	56404	42
53351	35	54002	36	54803	38	55651	41	56450	42
53352	35	54003	36	54804	38	55652	41	56451	42
53353	35	54004	36	54850	38	55653	41	56452	42
53354	35	54050	36	54851	38	55654	41	56453	42
53401	35	54051	36	54852	38	55701	42	56454	42
53402	35	54052	36	54853	38	55702	42	56550	45
53403	35	54053	36	54854	38	55703	42	56650	45
53404	35	54054	36	54901	39	55704	42	56750	45
53450	35	54101	36	54902	39	55750	42	56850	45
53451	35	54102	36	54903	39	55751	42	60100	48
53452	35	54103	36	54904	39	55752	42	60101	48
53453	35	54104	36	54951	39	55753	42	60102	48
53454	35	54150	36	54952	39	55754	42	60103	48
53501	36	54151	36	54953	39	55801	42	60104	48
53502	36	54152	36	54954	39	55802	42	60200	48
53503	36	54153	36	55001	39	55803	42	60201	48
53504	36	54154	36	55002	39	55804	42	60202	48
53550	36	54201	37	55003	39	55850	42	60203	48
53551	36	54202	37	55004	39	55851	42	60204	48
53552	36	54203	37	55051	39	55852	42	60300	48
53553	36	54204	37	55052	39	55853	42	60301	48
53554	36	5421	103	55053	39	55854	42	60302	48
53601	36	54251	37	55054	39	55901	42	60303	48
53602	36	54252	37	55101	40	55902	42	60304	48
53603	36	54253	37	55102	40	55903	42	60400	48
53604	36	54254	37	55103	40	55904	42	60401	48
53650	36	54301	37	55104	40	55950	42	60402	48
53651	36	54302	37	55150	40	55951	42	60403	48
53652	36	54303	37	55151	40	55952	42	60404	48

60500	48	61904	50	7011254	54	70216614	58	71111524	56
60501	48	62000	50	70111260	55	70216624	58	71111534	56
60502	48	62001	50	70111264	54	70216634	58	71111544	56
60503	48	62002	50	70111270	55	70216644	58	71111554	56
60504	48	62003	50	70111274	54	70216654	58	71111564	56
60600	48	62004	50	70111280	55	70216664	58	71111574	56
60601	48	62100	50	70111284	54	70216674	58	71111584	56
60602	48	62101	50	70111310	55	70216684	58	71111614	56
60603	48	62102	50	70111314	54	70318615	61	71111624	56
60604	48	62103	50	70111320	55	70413615	63	71111634	56
60700	48	62104	50	70111324	54	70413625	63	71111644	56
60701	48	62200	50	70111330	55	70413635	63	71111654	56
60702	48	62201	50	70111334	54	70413645	63	71111664	56
60703	48	62202	50	70111340	55	70413655	63	71111674	56
60704	48	62203	50	70111344	54	70511610	75	71111684	56
60801	48	62204	50	70111350	55	70511620	75	71211114	57
60802	48	62300	50	70111354	54	70511630	75	71211124	57
60803	48	62301	50	70111360	55	70511640	75	71211134	57
60804	48	62302	50	70111364	54	70511650	75	71211144	57
60901	48	62303	50	70111370	55	70511660	75	71211154	57
60902	48	62304	50	70111374	54	70511670	75	71211164	57
60903	48	62400	50	70111380	55	70511680	75	71211174	57
60904	48	62401	50	70111384	54	70611610	76	71211184	57
61001	48	62402	50	70111410	55	70611620	76	71211214	57
61002	48	62403	50	70111414	54	70611630	76	71211224	57
61003	48	62404	50	70111420	55	70611640	76	71211234	57
61004	48	62500	49	70111424	54	70611650	76	71211244	57
61100	49	62501	49	70111430	55	70611660	76	71211254	57
61101	49	62502	49	70111434	54	70611670	76	71211264	57
61102	49	62503	49	70111440	55	70611680	76	71211274	57
61103	49	62504	49	70111444	54	70716610	65	71211284	57
61104	49	62600	49	70111450	55	70718610	65	71211314	57
61200	49	62601	49	70111454	54	70719610	65	71211324	57
61201	49	62602	49	70111460	55	70818610	68	71211334	57
61202	49	62603	49	70111464	54	70818620	68	71211344	57
61203	49	62604	49	70111470	55	70818630	68	71211354	57
61204	49	62700	49	70111474	54	70918610	70	71211364	57
61300	49	62701	49	70111480	55	71018610	71	71211374	57
61301	49	62702	49	70111484	54	71111114	56	71211384	57
61302	49	62703	49	70111510	55	71111124	56	71211414	57
61303	49	62704	49	70111514	54	71111134	56	71211424	57
61304	49	62800	49	70111520	55	71111144	56	71211434	57
61400	49	62801	49	70111524	54	71111154	56	71211444	57
61401	49	62802	49	70111530	55	71111164	56	71211454	57
61402	49	62803	49	70111534	54	71111174	56	71211464	57
61403	49	62804	49	70111540	55	71111184	56	71211474	57
61404	49	70111110	55	70111544	54	71111214	56	71211484	57
61500	49	70111114	54	70111550	55	71111224	56	71211514	57
61501	49	70111120	55	70111554	54	71111234	56	71211524	57
61502	49	70111124	54	70111560	55	71111244	56	71211534	57
61503	49	70111130	55	70111564	54	71111254	56	71211544	57
61504	49	70111134	54	70111570	55	71111264	56	71211554	57
61600	49	70111140	55	70111574	54	71111274	56	71211564	57
61601	49	70111144	54	70111580	55	71111284	56	71211574	57
61602	49	70111150	55	70111584	54	71111314	56	71211584	57
61603	49	70111154	54	70111610	55	71111324	56	71211614	57
61604	49	70111160	55	70111614	54	71111334	56	71211624	57
61700	49	70111164	54	70111620	55	71111344	56	71211634	57
61701	49	70111170	55	70111624	54	71111354	56	71211644	57
61702	49	70111174	54	70111630	55	71111364	56	71211654	57
61703	49	70111180	55	70111634	54	71111374	56	71211664	57
61704	49	70111184	54	70111640	55	71111384	56	71211674	57
61800	50	70111210	55	70111644	54	71111414	56	71211684	57
61801	50	70111214	54	70111650	55	71111424	56	71316614	59
61802	50	70111220	55	70111654	54	71111434	56	71316624	59
61803	50	70111224	54	70111660	55	71111444	56	71316634	59
61804	50	70111230	55	70111664	54	71111454	56	71316644	59
61900	50	70111234	54	70111670	55	71111464	56	71316654	59
61901	50	70111240	55	70111674	54	71111474	56	71316664	59
61902	50	70111244	54	70111680	55	71111484	56	71316674	59
61903	50	70111250	55	70111684	54	71111514	56	71316684	59

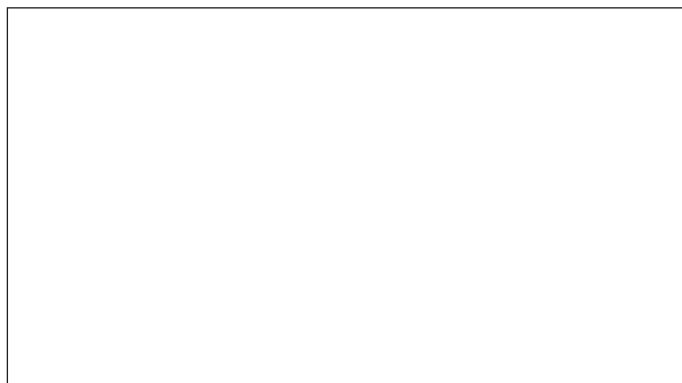
71416614	60	80113	237	80403	240	80804	243	81700	253
71416624	60	80113SS	237	80403L	240	80813	243	81701	253
71416634	60	80114	237	80403SS	240	80814	243	81702	253
71416644	60	80114SS	237	80404	240	80901	246	81703	253
71416654	60	80121	237	80404L	240	80901L	246	81704	253
71416664	60	80121SS	237	80404SS	240	80901SS	246	81900	253
71416674	60	80122	237	80410	240	80902	246	81901	253
71416684	60	80122SS	237	80410L	240	80902L	246	81902	253
71511615	62	80132	237	80410SS	240	80902SS	246	81903	253
71511625	62	80132SS	237	80411	240	80903	246	81904	253
71511635	62	80200	237	80411L	240	80903L	246	82100	253
71511645	62	80201	237	80411SS	240	80903SS	246	82101	253
71511655	62	80202	237	80412	240	80904	246	82102	253
71613615	64	80203	237	80412L	240	80904L	246	82103	253
71713614	66	80204	237	80412SS	240	80904SS	246	82104	253
71713624	66	80210	237	80413	240	80905L	246	82204	238
71713634	66	80211	237	80413L	240	80905SS	246	82204SS	238
71713644	66	80212	237	80413SS	240	80906L	246	82210	238
71816614	67	80213	237	80414	240	80906SS	246	82210SS	238
71816624	67	80214	237	80414L	240	80913	246	82211	238
71816634	67	80221	237	80414SS	240	80914	246	82211SS	238
71919614	69	80222	237	80421	240	81001	246	82212	238
71919624	69	80232	237	80421L	240	81001L	246	82212SS	238
71919634	69	80300	240	80421SS	240	81001SS	246	82213	238
72021612	77	80300L	240	80422	240	81002	246	82213SS	238
72021622	77	80300SS	240	80422L	240	81002L	246	82304	238
72021632	77	80301	240	80422SS	240	81002SS	246	82310	238
72021642	77	80301L	240	80432	240	81003	246	82311	238
72021652	77	80301SS	240	80432L	240	81003L	246	82312	238
72021662	77	80302	240	80432SS	240	81003SS	246	82313	238
72123612	77	80302L	240	80500	240	81004	246	82404	241
72123622	77	80302SS	240	80501	240	81004L	246	82404H	249
72123632	77	80303	240	80502	240	81004SS	246	82404L	241
72123642	77	80303L	240	80503	240	81005L	246	82404LH	249
72123652	77	80303SS	240	80504	240	81005SS	246	82404SS	241
72123662	77	80304	240	80510	240	81006L	246	82410	241
72223612	77	80304L	240	80511	240	81006SS	246	82410L	241
72223622	77	80304SS	240	80512	240	81013	246	82410SS	241
72223632	77	80310	240	80513	240	81014	246	82411	241
72223642	77	80310L	240	80514	240	81101	246	82411L	241
72323612	78	80310SS	240	80521	240	81102	246	82411SS	241
72323622	78	80311	240	80522	240	81103	246	82412	241
72323632	78	80311L	240	80532	240	81104	246	82412H	249
72323642	78	80311SS	240	80600	240	81113	246	82412L	241
72423612	78	80312	240	80601	240	81114	246	82412LH	249
72423622	78	80312L	240	80602	240	81201	246	82412SS	241
72423632	78	80312SS	240	80603	240	81202	246	82413	241
72423642	78	80313	240	80604	240	81203	246	82413L	241
72523612	78	80313L	240	80610	240	81204	246	82413SS	241
72523622	78	80313SS	240	80611	240	81213	246	82504	241
72523632	78	80314	240	80612	240	81214	246	82504H	249
72523642	78	80314L	240	80613	240	81300	251	82504L	241
78118610	72	80314SS	240	80614	240	81301	251	82504LH	249
78218610	73	80321	240	80621	240	81302	251	82504SS	241
78318610	74	80321L	240	80622	240	81303	251	82510	241
80100	237	80321SS	240	80632	240	81304	251	82510L	241
80100SS	237	80322	240	80701	243	81400	251	82510SS	241
80101	237	80322L	240	80701SS	243	81401	251	82511	241
80101SS	237	80322SS	240	80702	243	81402	251	82511L	241
80102	237	80332	240	80702SS	243	81403	251	82511SS	241
80102SS	237	80332L	240	80703	243	81404	251	82512	241
80103	237	80332SS	240	80703SS	243	81500	251	82512H	249
80103SS	237	80400	240	80704	243	81501	251	82512L	241
80104	237	80400L	240	80704SS	243	81502	251	82512LH	249
80104SS	237	80400SS	240	80713	243	81503	251	82512SS	241
80110	237	80401	240	80713SS	243	81504	251	82513	241
80110SS	237	80401L	240	80714	243	81600	251	82513L	241
80111	237	80401SS	240	80714SS	243	81601	251	82513SS	241
80111SS	237	80402	240	80801	243	81602	251	82604	241
80112	237	80402L	240	80802	243	81603	251	82604H	249
80112SS	237	80402SS	240	80803	243	81604	251	82610	241

82611	241	89003	237, 238, 243, 244	90802	257	91403	261	92902	269
82612	241	89004	237, 238	90802H	257	91403H	261	92903	269
82612H	249	89005	237	90802Z	257	91403Z	261	93001	269
82613	241	89801	251	90802ZH	257	91403ZH	261	93002	269
82704	241	89802	251	90803	257	91501	261	93003	269
82704H	249	89803	251	90803H	257	91501Z	261	93102	267
82710	241	89804	251	90803Z	257	91502	261	93102Z	267
82711	241	89805	251	90803ZH	257	91502Z	261	93103	267
82712	241	89901	237	90810H	259	91503	261	93103Z	267
82712H	249	89902	237	90901	257	91503Z	261	93152	267
82713	241	89903	237	90901H	257	91601	261	93152Z	267
82801	244	89904	237	90901Z	257	91601H	261	93153	267
82801SS	244	89905	237	90901ZH	257	91601Z	261	93153Z	267
82802	244	90101	257	90902	257	91601ZH	261	93202	267
82802SS	244	90101Z	257	90902H	257	91602	261	93202Z	267
82804	244	90102	257	90902Z	257	91602H	261	93203	267
82804SS	244	90102Z	257	90902ZH	257	91602Z	261	93203Z	267
82813	244	90103	257	90903	257	91602ZH	261	93252	267
82813SS	244	90103Z	257	90903H	257	91603	261	93252Z	267
82901	244	90201	257	90903Z	257	91603H	261	93253	267
82902	244	90201Z	257	90903ZH	257	91603Z	261	93253Z	267
82904	244	90202	257	91001	261	91603ZH	261	93302	267
82913	244	90202Z	257	91001Z	261	91701	261	93302Z	267
83001	247	90203	257	91002	261	91701H	261	93303	267
83001L	247	90203Z	257	91002Z	261	91701Z	261	93303Z	267
83001SS	247	90301	257	91003	261	91701ZH	261	93352	267
83002	247	90301H	257	91003Z	261	91702	261	93352Z	267
83002H	249	90301Z	257	91101	261	91702H	261	93353	267
83002L	247	90301ZH	257	91101H	261	91702Z	261	93353Z	267
83002LH	249	90302	257	91101Z	261	91702ZH	261	93401	271
83002SS	247	90302H	257	91101ZH	261	91703	261	93402	271
83004	247	90302Z	257	91102	261	91703H	261	93403	271
83004H	249	90302ZH	257	91102H	261	91703Z	261	93501	271
83004L	247	90303	257	91102Z	261	91703ZH	261	93502	271
83004LH	249	90303H	257	91102ZH	261	91801	261	93503	271
83004SS	247	90303Z	257	91103	261	91801Z	261	93601	271
83013	247	90303ZH	257	91103H	261	91802	261	93602	271
83013L	247	90401	257	91103Z	261	91802Z	261	93603	271
83013SS	247	90401Z	257	91103ZH	261	91803	261	93701	271
83101	247	90402	257	91201	261	91803Z	261	93702	271
83101L	247	90402Z	257	91201H	261	91901	269	93703	271
83101SS	247	90403	257	91201Z	261	91902	269	93801	271
83102	247	90403Z	257	91201ZH	261	91903	269	93802	271
83102H	249	90501	257	91202	261	92001	269	93803	271
83102L	247	90501Z	257	91202H	261	92002	269	93901	271
83102LH	249	90502	257	91202Z	261	92003	269	93902	271
83102SS	247	90502Z	257	91202ZH	261	92101	269	93903	271
83104	247	90503	257	91203	261	92102	269	94301H	263
83104H	249	90503Z	257	91203H	261	92103	269	94301ZH	263
83104L	247	90601	257	91203Z	261	92201	269	94302H	263
83104LH	249	90601H	257	91203ZH	261	92202	269	94302ZH	263
83104SS	247	90601Z	257	91301	261	92203	269	94303H	263
83113	247	90601ZH	257	91301H	261	92301	269	94303ZH	263
83113L	247	90602	257	91301Z	261	92302	269	94351H	263
83113SS	247	90602H	257	91301ZH	261	92303	269	94351ZH	263
83201	247	90602Z	257	91302	261	92401	269	94352H	263
83202	247	90602ZH	257	91302H	261	92402	269	94352ZH	263
83202H	249	90603	257	91302Z	261	92403	269	94353H	263
83204	247	90603H	257	91302ZH	261	92501	269	94353ZH	263
83204H	249	90603Z	257	91303	261	92502	269	94401H	263
83213	247	90603ZH	257	91303H	261	92503	269	94401ZH	263
83301	247	90701	257	91303Z	261	92601	269	94402H	263
83302	247	90701Z	257	91303ZH	261	92602	269	94402ZH	263
83302H	249	90702	257	91401	261	92603	269	94403H	263
83304	247	90702Z	257	91401H	261	92701	269	94403ZH	263
83304H	249	90703	257	91401Z	261	92702	269	94451H	263
83313	247	90703Z	257	91401ZH	261	92703	269	94451ZH	263
89001	237, 238, 243, 244	90801	257	91402	261	92801	269	94452H	263
89002	237, 238, 243, 244	90801H	257	91402H	261	92802	269	94452ZH	263
89002	238	90801Z	257	91402Z	261	92803	269	94453H	263
89003	238	90801ZH	257	91402ZH	261	92901	269	94453ZH	263



94501H	263	95053ZH	265	95701ZH	259	96901ZH	273	99802	256, 258,
94501ZH	263	95101H	265	95702	259	96902H	273		260, 268, 271
94502H	263	95101ZH	265	95702H	259	96902ZH	273	99804	256, 258, 260, 262,
94502ZH	263	95102H	265	95702Z	259	97001H	273		264, 266, 268, 271, 272
94503H	263	95102ZH	265	95702ZH	259	97001ZH	273	99805	256, 258, 260, 262,
94503ZH	263	95103H	265	95703	259	97002H	273		264, 266, 268, 271, 272
94551H	263	95103ZH	265	95703H	259	97002ZH	273	99806	260, 262, 264,
94551ZH	263	95151H	265	95703Z	259	97101H	273		266, 268, 271, 272
94552H	263	95151ZH	265	95703ZH	259	97101ZH	273	99807	268, 272
94552ZH	263	95152H	265	95710H	259	97102H	273		
94553H	263	95152ZH	265	95801H	267	97102ZH	273		
94553ZH	263	95153H	265	95801ZH	267	97201	269		
94601H	263	95153ZH	265	95802H	267	97202	269		
94601ZH	263	95201H	265	95802ZH	267	97203	269		
94602H	263	95201ZH	265	95803H	267	97301	269		
94602ZH	263	95202H	265	95803ZH	267	97302	269		
94603H	263	95202ZH	265	95851H	267	97303	269		
94603ZH	263	95203H	265	95851ZH	267	97401	269		
94651H	263	95203ZH	265	95852H	267	97402	269		
94651ZH	263	95251H	265	95852ZH	267	97403	269		
94652H	263	95251ZH	265	95853H	267	97501	269		
94652ZH	263	95252H	265	95853ZH	267	97502	269		
94653H	263	95252ZH	265	95901H	267	97503	269		
94653ZH	263	95253H	265	95901ZH	267	97601	269		
94701H	263	95253ZH	265	95902H	267	97602	269		
94701ZH	263	95301	259	95902ZH	267	97603	269		
94702H	263	95301Z	259	95903H	267	97702	269		
94702ZH	263	95302	259	95903ZH	267	97703	269		
94703H	263	95302Z	259	95951H	267	97704	269		
94703ZH	263	95303	259	95951ZH	267	97801	269		
94751H	263	95303Z	259	95952H	267	97802	269		
94751ZH	263	95401	259	95952ZH	267	97803	269		
94752H	263	95401H	259	95953H	267	97902	269		
94752ZH	263	95401Z	259	95953ZH	267	97903	269		
94753H	263	95401ZH	259	96001H	273	97904	269		
94753ZH	263	95402	259	96001ZH	273	98003	269		
94801H	265	95402H	259	96002H	273	98004	269		
94801ZH	265	95402Z	259	96002ZH	273	98005	269		
94802H	265	95402ZH	259	96101H	273	98102H	267		
94802ZH	265	95403	259	96101ZH	273	98102ZH	267		
94803H	265	95403H	259	96102H	273	98103H	267		
94803ZH	265	95403Z	259	96102ZH	273	98103ZH	267		
94851H	265	95403ZH	259	96201H	273	98152H	267		
94851ZH	265	95410H	259	96201ZH	273	98152ZH	267		
94852H	265	95501	259	96202H	273	98153H	267		
94852ZH	265	95501H	259	96202ZH	273	98153ZH	267		
94853H	265	95501Z	259	96301H	273	98202H	267		
94853ZH	265	95501ZH	259	96301ZH	273	98202ZH	267		
94901H	265	95502	259	96302H	273	98203H	267		
94901ZH	265	95502H	259	96302ZH	273	98203ZH	267		
94902H	265	95502Z	259	96401H	273	98252H	267		
94902ZH	265	95502ZH	259	96401ZH	273	98252ZH	267		
94903H	265	95503	259	96402H	273	98253H	267		
94903ZH	265	95503H	259	96402ZH	273	98253ZH	267		
94951H	265	95503Z	259	96501H	273	98302H	267		
94951ZH	265	95503ZH	259	96501ZH	273	98302ZH	267		
94952H	265	95601	259	96502H	273	98303H	267		
94952ZH	265	95601H	259	96502ZH	273	98303ZH	267		
94953H	265	95601Z	259	96601H	273	98352H	267		
94953ZH	265	95601ZH	259	96601ZH	273	98352ZH	267		
95001H	265	95602	259	96602H	273	98353H	267		
95001ZH	265	95602H	259	96602ZH	273	98353ZH	267		
95002H	265	95602Z	259	96701H	273	99601	256		
95002ZH	265	95602ZH	259	96701ZH	273	99602	256		
95003H	265	95603	259	96702H	273	99603	256		
95003ZH	265	95603H	259	96702ZH	273	99604	258, 260		
95051H	265	95603Z	259	96801H	273	99605	258, 260		
95051ZH	265	95603ZH	259	96801ZH	273	99606	260		
95052H	265	95701	259	96802H	273	99607	262		
95052ZH	265	95701H	259	96802ZH	273	99608	264, 266		
95053H	265	95701Z	259	96901H	273	99801	256		







**Movex S.p.A. Industrial Innovations**  
Via Tasso (angolo Via Noli Marenzi)  
24060 Telgate (Bergamo) - Italy  
Phone +39.035.8359711  
Fax +39.035.4420873



**Movex GmbH Industrial Innovations**  
Alfred-Nobel-Strasse, 4  
68519 Viernheim - Germany  
Phone +49.(0)6204.9375-0  
Fax +49.(0)6204.9375-55



**Movex Industrial Innovations UK Ltd.**  
Unit 7, Dene Valley Business Centre  
Kineton CV35 0JD, Warwickshire - UK  
Phone +44.1926.642933

**Movex France - Sales Office**  
Phone +33.06.06.81.99.76  
Fax +33.09.70.62.50.98

**Movex Nederland - Sales Office**  
Phone +31.(0)630.99.48.50

**Movex Singapore - Sales Office**  
Phone +65.9815.0482



**Plastik Belt Manufacturing Ltd - Movex**  
8 Thompson Crescent  
Erin, Ontario - N0B 1T0- Canada  
Phone +1.519.833.7500  
Fax +1.519.833.7510  
Toll Free 1-800-461-5179

**Movex USA**  
5513 Oyster Shell Point Road  
East New Market  
Maryland, USA 21631  
Phone +1.(410).463.1945

**MOVEXII SA de CV**  
Av. Aviacion 6503 Bodega B5  
Ciudad Granja - Zapopan, Jalisco  
45010 Mexico  
Phone (33) 3110-0808  
Cel. (33) 1845-8187